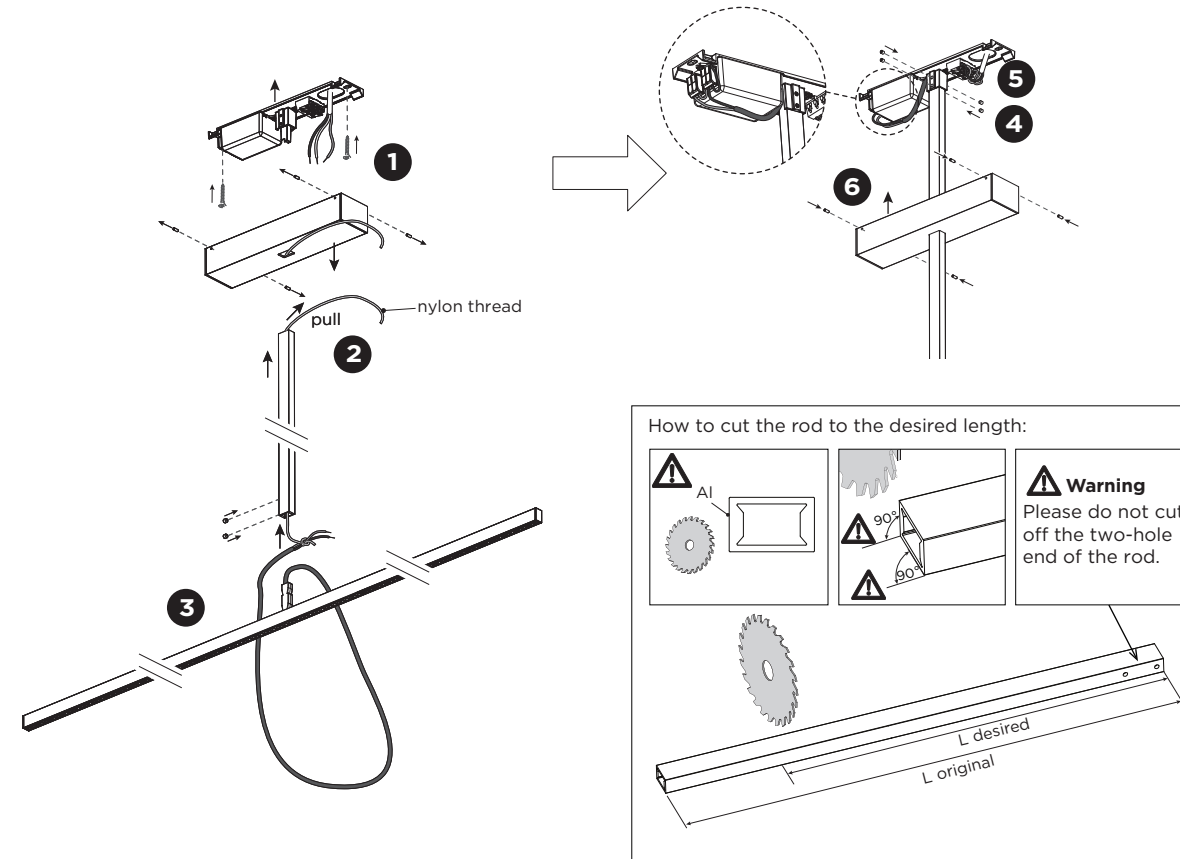
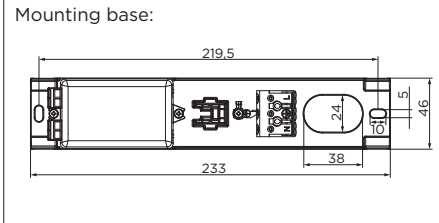
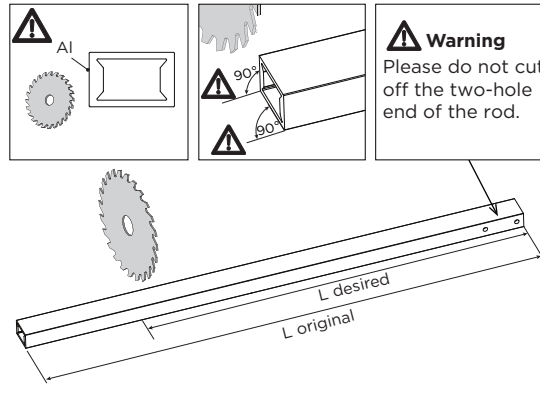


FIL CEILING SUSPENDED

INSTALLATION INSTRUCTIONS | FEBRUARY 2024

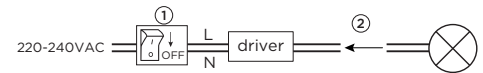


How to cut the rod to the desired length:

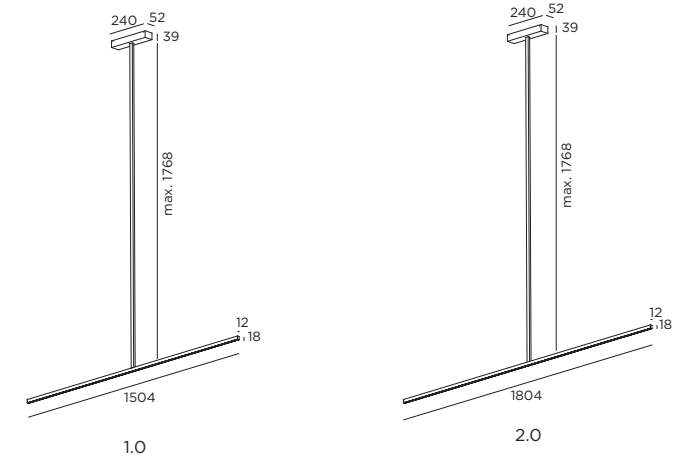


Warning!
Driver must be powered off before connecting the cables.

Before connecting the luminaire/LED module to the driver please make sure the driver is not powered but disconnected from the mains. The driver can only be powered when the luminaire/LED module is already connected. Disregarding this instruction might damage or even destroy the luminaire/LED module.

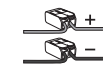


DIMENSIONS

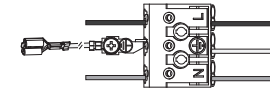


MOUNTING INSTRUCTION

- Remove the mounting base by loosening the socket screws and fix it to the ceiling with screws (screws are not included).
- Guide the luminaire cable through the rod. There is a nylon thread attached in the rod, which is an auxiliary tool to help the user to pull the cable through the pole.
- Tighten the two screws near the lower end of the pole to fix the luminaire and the rod (screws are included).
- Tighten the four screws in the mounting base to fix the rod on the mounting base (screws are included).
- POWER CONNECTION**
Connect the driver.
- Fix the cover to the mounting base with the socket screws.

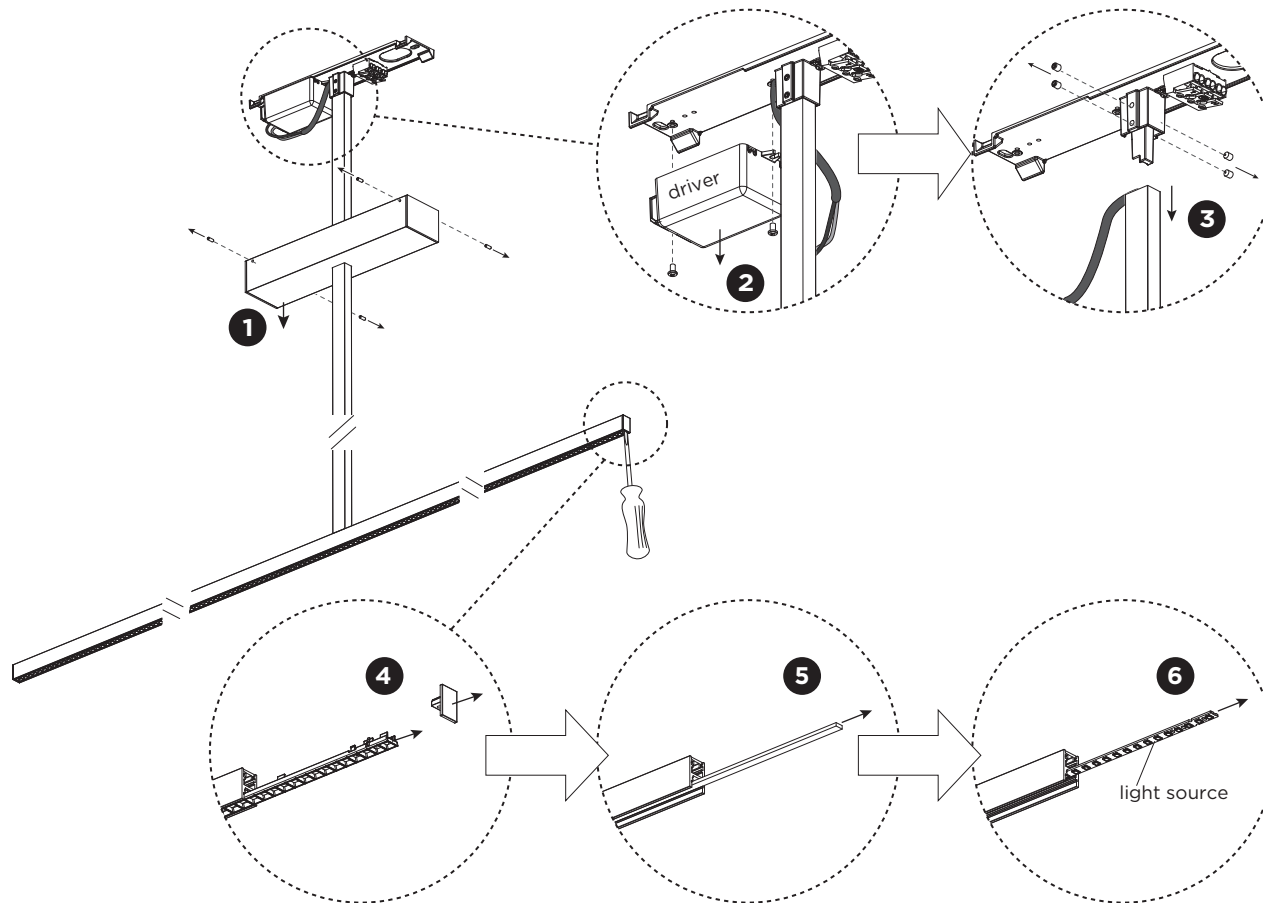


Connect to 220-240V.



FIL CEILING SUSPENDED

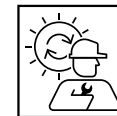
INSTALLATION INSTRUCTIONS | FEBRUARY 2024



DISMOUNTING AND RECYCLING INSTRUCTIONS

Light source & driver

- 1 Loosen the socket screws and remove the lip from the ceiling base.
- 2 Disconnect the wires and unscrew the driver.
- 3 Loosen the screws and remove the luminaire from the ceiling base.
- 4 Pull out the end cap from the end of the luminaire with a handy tool then remove the grid brackets by pulling.
- 5 Remove the diffuser.
- 6 Remove the light source.



The light source is replaceable by Wever & Ducré or by a professional with explicit authorisation. For more information please contact your local Wever & Ducré customer service point.



The driver can be replaced by the end user.



This luminaire contains a light source with the energy class E.



WEVER & DUCRÉ
LIGHTING

WEVER & DUCRÉ BV

Spinnerijstraat 99/21, 8500 Kortrijk, Belgium
weverducre.com