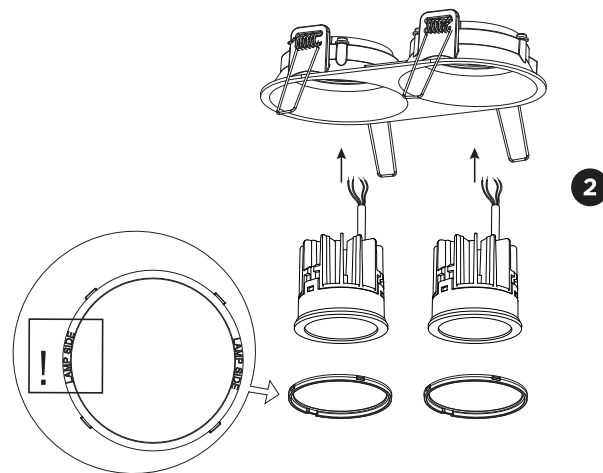
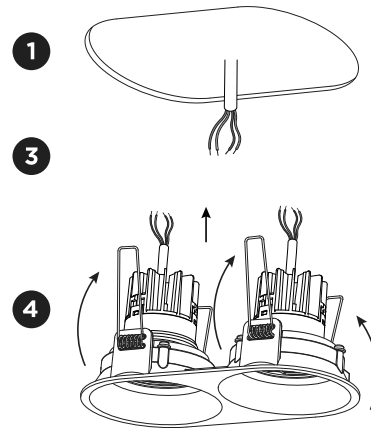
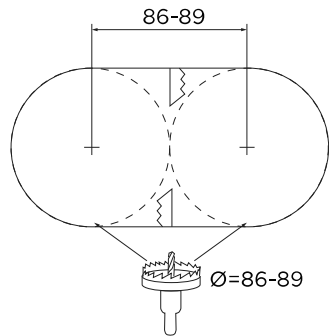


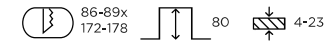
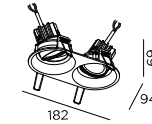
# DEEP ADJUST 2.0

INSTALLATION INSTRUCTIONS | JUNE 2024

Hole dimension



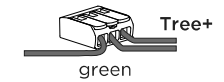
## DIMENSIONS



2.0 LOXONE

## MOUNTING INSTRUCTION

- 1 Make a hole in the ceiling according to the prescribed dimensions.
- 2 Put the LED modules in the assembly set and fix them with the spring clips.
- 3 **POWER CONNECTION**  
Connect the wires to the connectors.  
Input voltage 20-28V.



- 4 Push the springs upwards and insert the fixture in the ceiling hole.



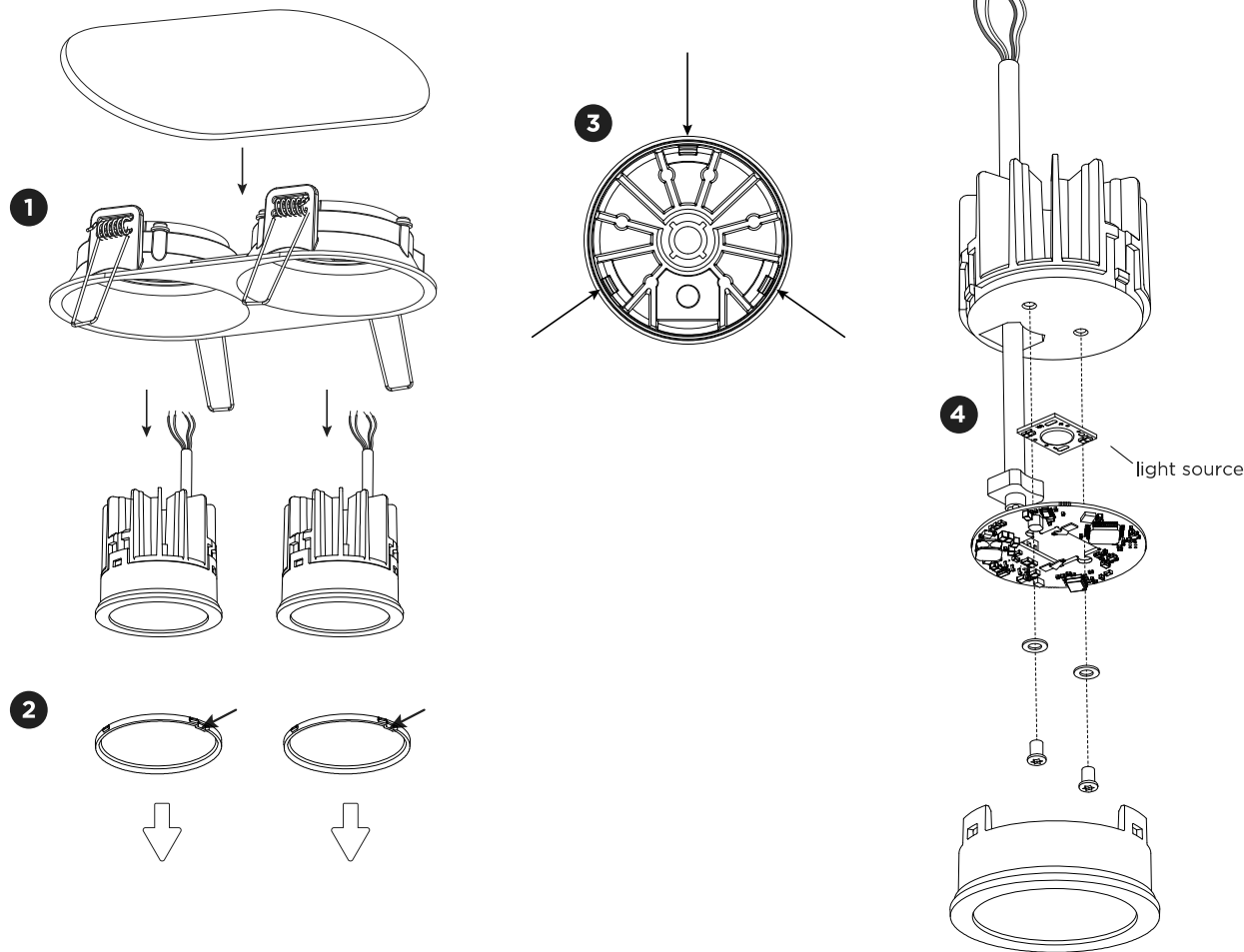
Power must be turned off before connecting the cables.

This fixture only works with Loxone TREE.



# DEEP ADJUST 2.0

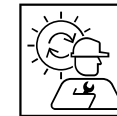
INSTALLATION INSTRUCTIONS | JUNE 2024



## DISMOUNTING AND RECYCLING INSTRUCTIONS

Light source

- 1** Remove the fixture from the ceiling and disconnect the wires.
- 2** Push in the slot of the spring clip(s) and pull it/them down to remove the LED module(s).
- 3** Push at the three points to loosen the front ring(s).
- 4** Unscrew the light source(s) to remove it/them.



The light source is replaceable by Wever & Ducré or by a professional with explicit authorisation. For more information please contact your local Wever & Ducré customer service point.



This luminaire contains a light source with the energy class F.