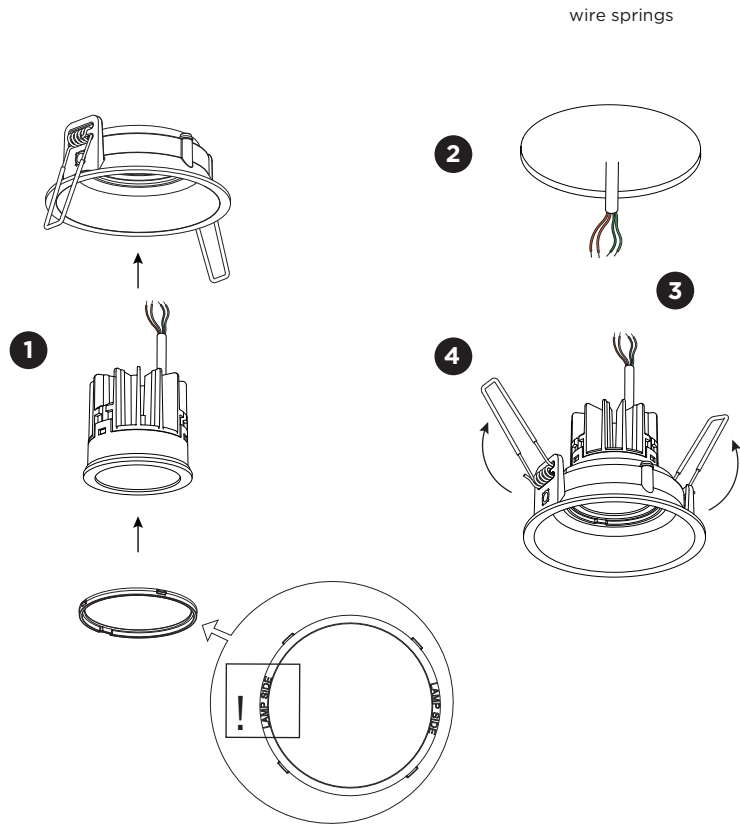


# DEEP ADJUST 1.0

INSTALLATION INSTRUCTIONS | JUNE 2024

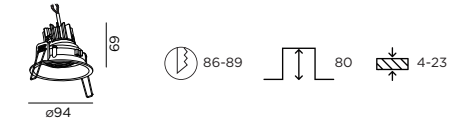


wire springs

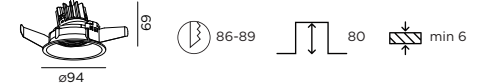
blade springs

## DIMENSIONS

1.0 LOXONE  
wire springs



1.0 LOXONE  
blade springs

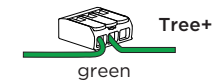


## MOUNTING INSTRUCTION

- Put the LED module in the assembly set and fix it with the spring clip.
- Make a hole in the ceiling according to the prescribed dimensions.

### 3 POWER CONNECTION

Connect the wires to the connectors.  
Input voltage 20-28V.



- For wire springs:  
Push the springs upwards and insert the fixture in the ceiling hole.

For blade springs:  
Push the springs towards the fixture when inserting the fixture in the ceiling hole.

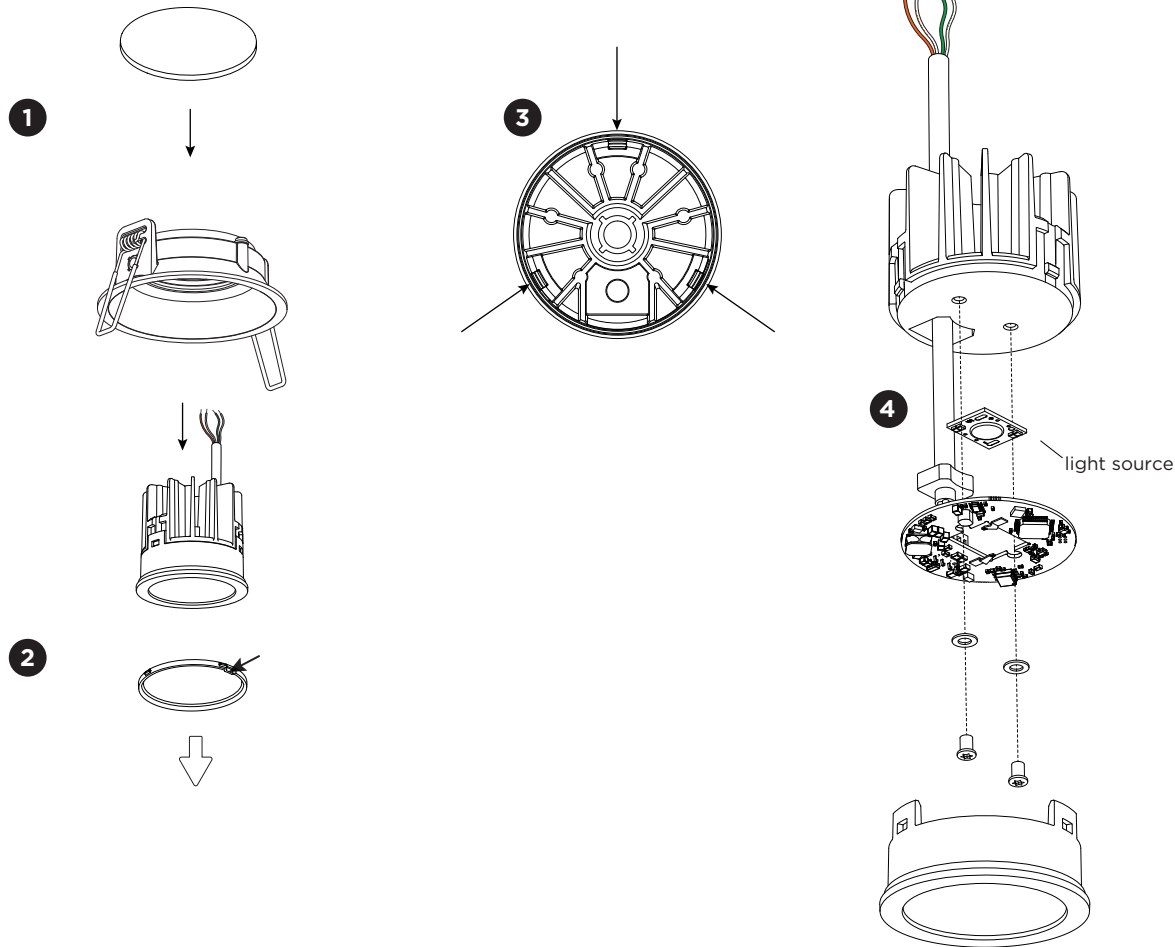
Power must be turned off before connecting the cables.

This fixture only works with Loxone TREE.



# DEEP ADJUST 1.0

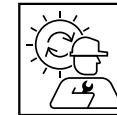
INSTALLATION INSTRUCTIONS | JUNE 2024



## DISMOUNTING AND RECYCLING INSTRUCTIONS

Light source

- 1 Remove the fixture from the ceiling and disconnect the wires.
- 2 Push in the slot of the spring clip and pull it down to remove the LED module.
- 3 Push at the three points to loosen the front ring.
- 4 Unscrew the light source to remove it.



The light source is replaceable by Wever & Ducré or by a professional with explicit authorisation. For more information please contact your local Wever & Ducré customer service point.



This luminaire contains a light source with the energy class F.



**WEVER & DUCRÉ**  
LIGHTING

**WEVER & DUCRÉ BV**

Spinnerijstraat 99/21, 8500 Kortrijk, Belgium  
weverducre.com