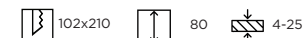
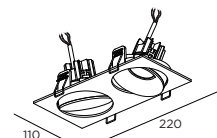

 Power must be turned off before connecting the cables.

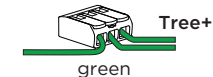
DIMENSIONS



2.0 LOXONE

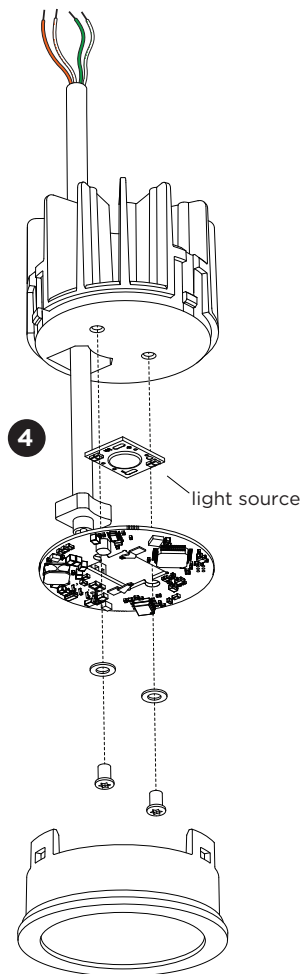
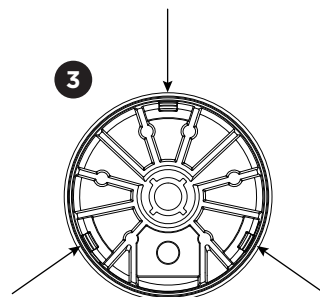
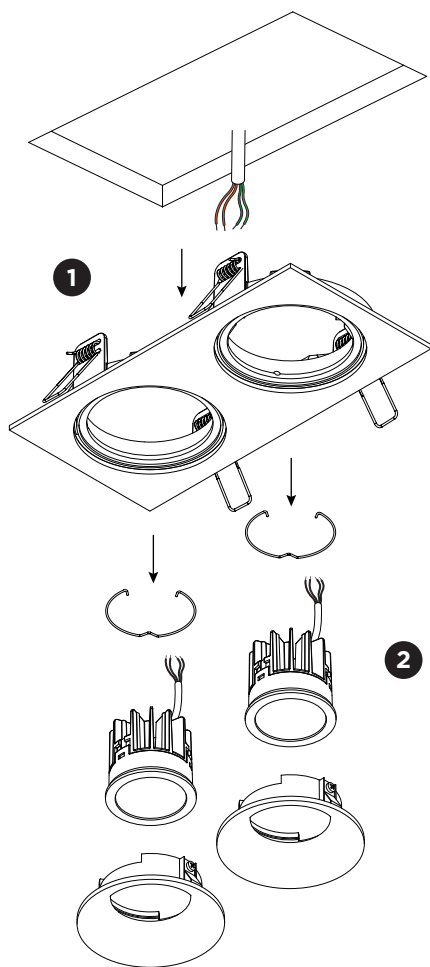
MOUNTING INSTRUCTION

- 1** Remove the inner parts of the fixture.
- 2** Put the LED modules in the inner parts and fix them with the spring.
- 3** Click the inner parts back into the outer part.
- 4** Make a hole in the ceiling according to the prescribed dimensions.
- 5** **POWER CONNECTION**
Connect the wires to the connectors.
Input voltage 20-28V.
- 6** Push the springs upwards and insert the fixture in the ceiling hole.



This fixture only works with Loxone TREE.





DISMOUNTING AND RECYCLING INSTRUCTIONS

Light source

- 1 Remove the fixture from the ceiling and disconnect the wires.
- 2 Pull out the inner part(s) and loosen the lamp spring(s) to remove the LED module(s).
- 3 Push at the three points to loosen the front ring(s).
- 4 Unscrew the light source(s) to remove it/them.



The light source is replaceable by Wever & Ducré or by a professional with explicit authorisation. For more information please contact your local Wever & Ducré customer service point.



This luminaire contains a light source with the energy class F.

