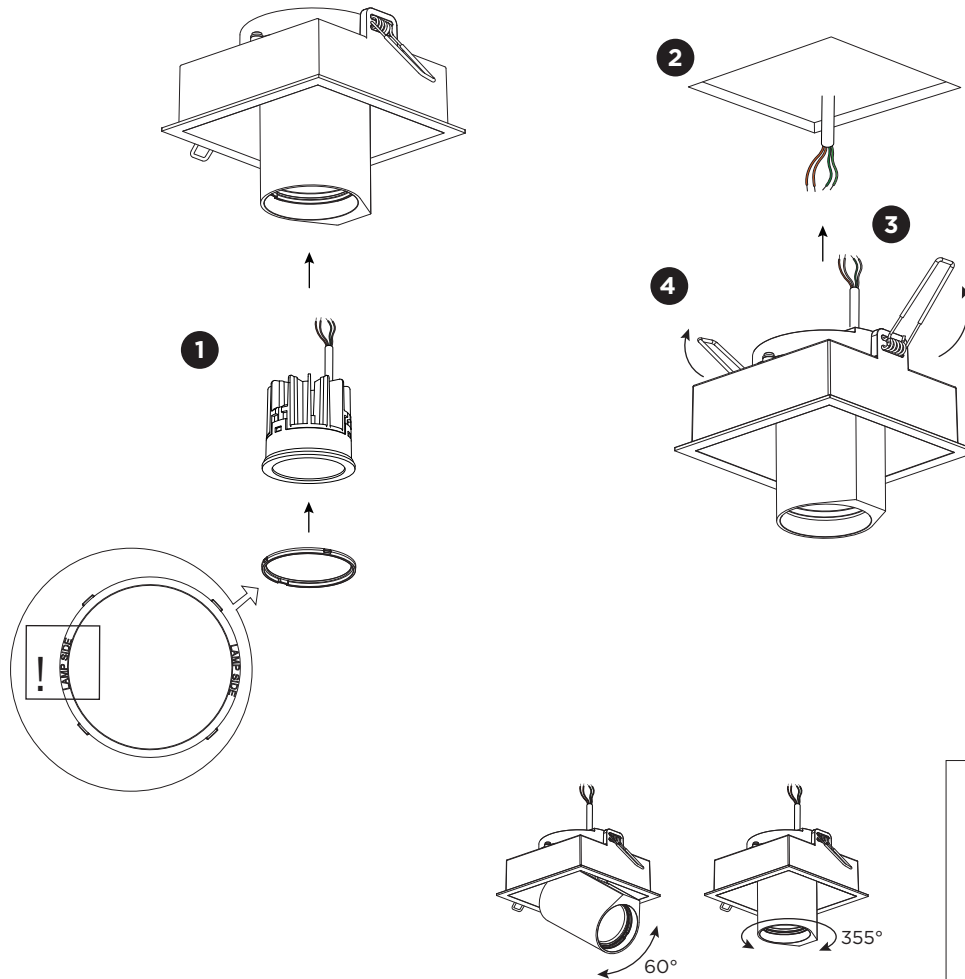
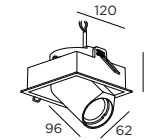


BLIEK SQUARE

INSTALLATION INSTRUCTIONS | JULY 2024



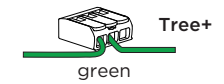
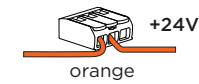
DIMENSIONS



1.0 LOXONE

MOUNTING INSTRUCTION

- 1 Put the LED module in the assembly set and fix it with the spring clip.
- 2 Make a hole in the ceiling according to the prescribed dimensions.
- 3 **POWER CONNECTION**
Connect the wires to the connectors.
Input voltage 20-28V.



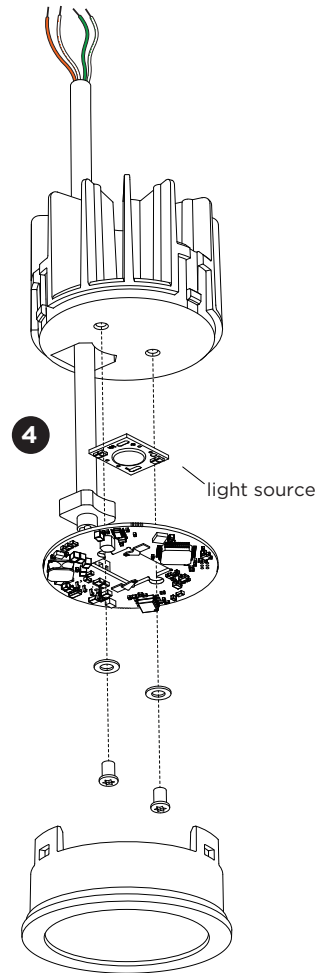
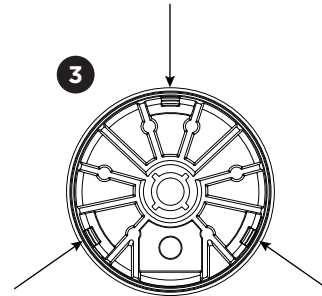
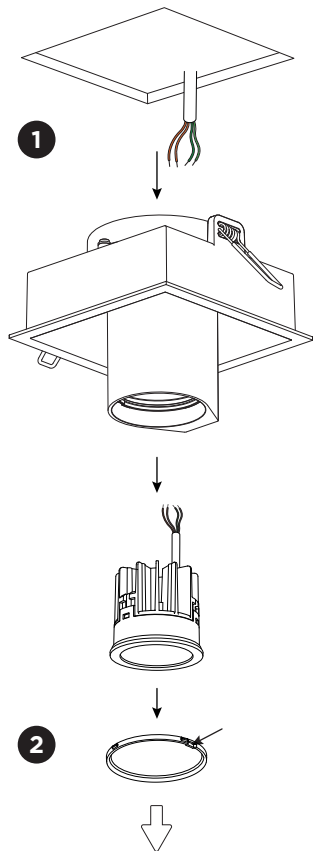
- 4 Push the springs upwards and insert the fixture in the ceiling hole.

This fixture only works with Loxone TREE.



BLIEK SQUARE

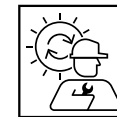
INSTALLATION INSTRUCTIONS | JULY 2024



DISMOUNTING AND RECYCLING INSTRUCTIONS

Light source

- 1 Remove the fixture from the ceiling and disconnect the wires.
- 2 Push in the slot of the spring clip and pull it down to remove the LED module.
- 3 Push at the three points to loosen the front ring.
- 4 Unscrew the light source to remove it.



The light source is replaceable by Wever & Ducré or by a professional with explicit authorisation. For more information please contact your local Wever & Ducré customer service point.



This luminaire contains a light source with the energy class F.