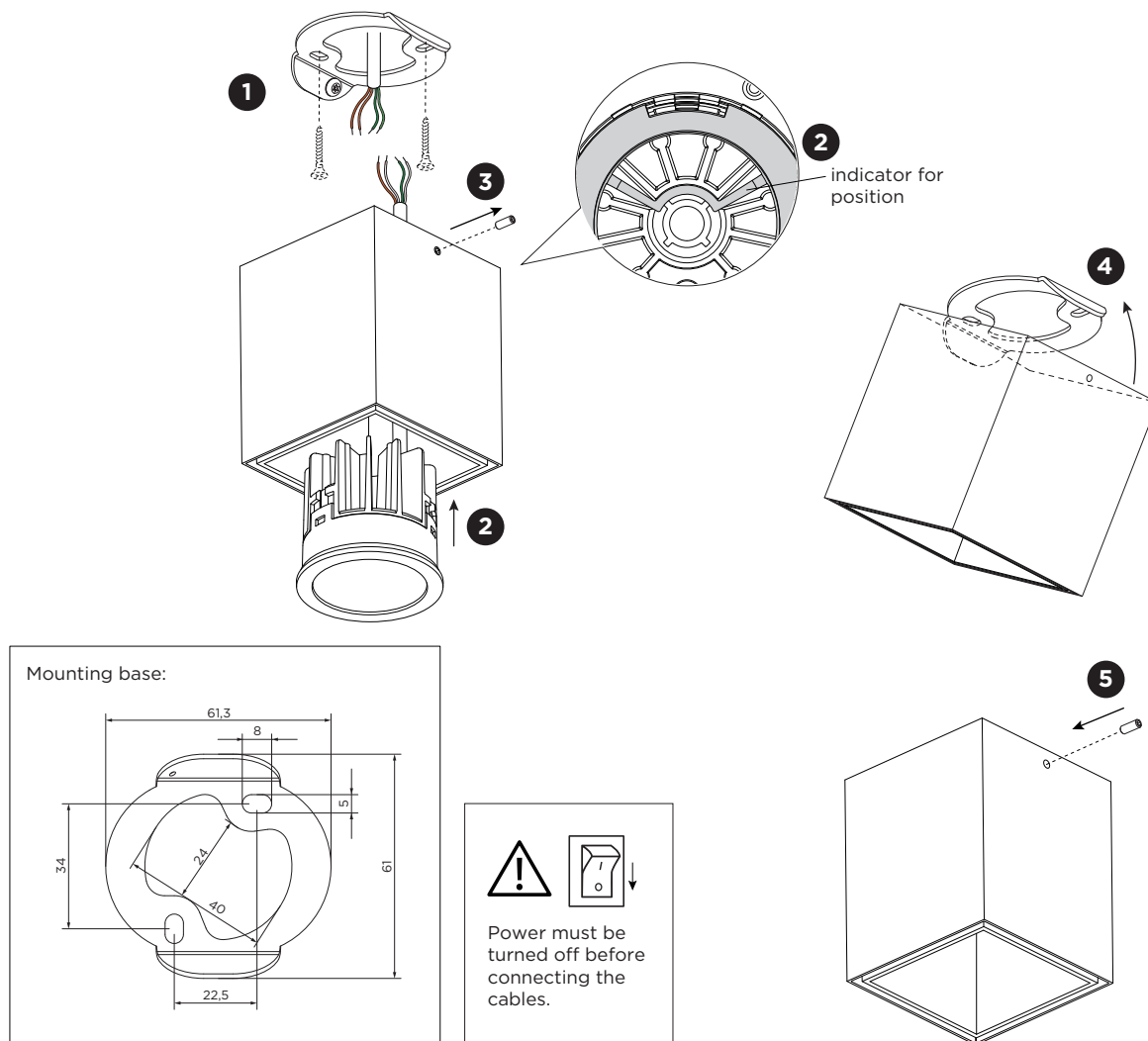
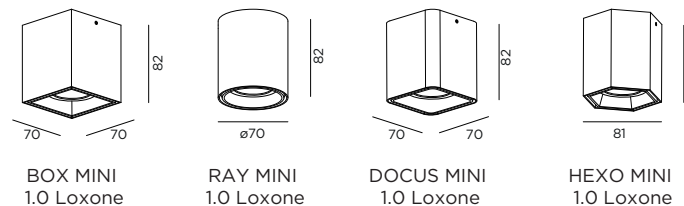


BOX / RAY / DOCUS / HEXO MINI ceiling surface

INSTALLATION INSTRUCTIONS | JUNE 2024







DIMENSIONS



MOUNTING INSTRUCTION

- Remove the mounting base from the luminaire by loosening the socket screw and mount it on the ceiling with screws (screws are not included).
- Insert the LED engine to the reflector by pushing (get sure to put it in the correct position).
- POWER CONNECTION**
Connect the wires to the connectors. Input voltage 20-28V.

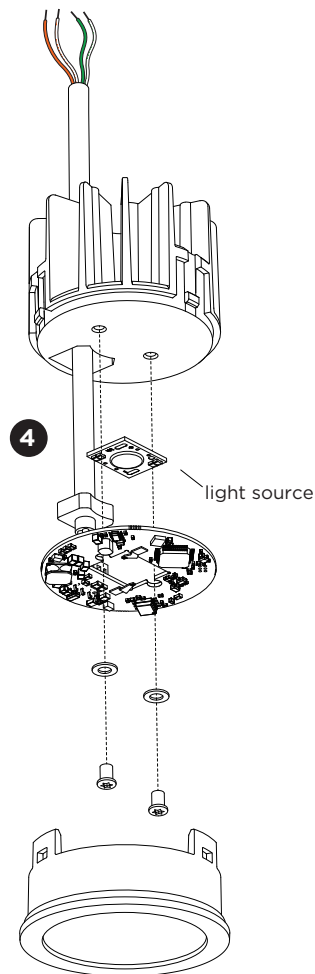
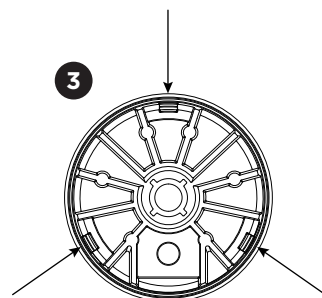
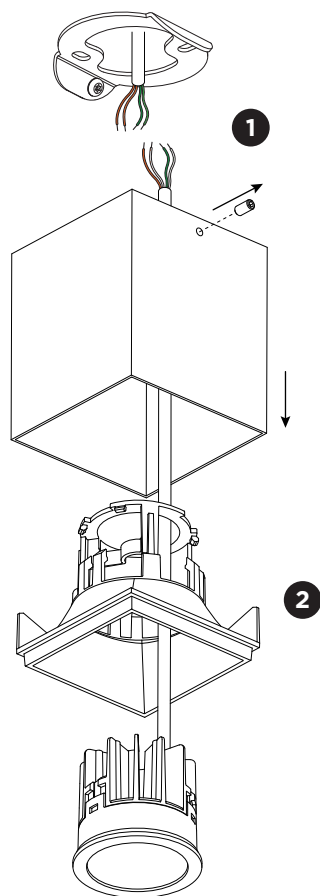
 +24V orange	 Tree+ green
 GND orange/white	 Tree- green/white
- Attach the luminaire to the mounting base with the screw opposite side first and tilt towards the ceiling as shown.
- Fix the luminaire on the base with the socket screw.

This fixture only works with Loxone TREE.



BOX / RAY / DOCUS / HEXO MINI ceiling surface

INSTALLATION INSTRUCTIONS | JUNE 2024



DISMOUNTING AND RECYCLING INSTRUCTIONS

Light source

- 1 Unscrew the socket screw from the fixture to remove it from the mounting base and disconnect the wires.
- 2 Pull out the reflector and LED engine.
- 3 Push at the three points to loosen the front ring.
- 4 Unscrew the light source to remove it.



The light source is replaceable by Wever & Ducré or by a professional with explicit authorisation. For more information please contact your local Wever & Ducré customer service point.



This luminaire contains a light source with the energy class F.



WEVER & DUCRÉ
LIGHTING

WEVER & DUCRÉ BV
Spinnerijstraat 99/21, 8500 Kortrijk, Belgium
weverducre.com