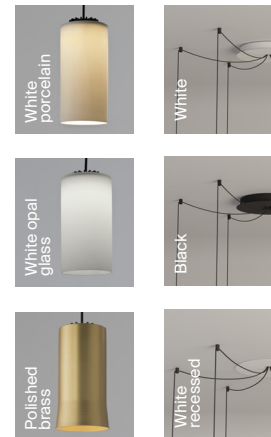


Cirio Múltiple

Antoni Arola. 2010
Pendant lamps



Lampshades Canopies



Cirio Múltiple features a single rosette fixture holding a cluster of wires. Shades can be freely hung from hooks wherever they are wanted. Six to twelve points of light come from one ceiling plate and are long enough to cover large halls or stairways, creating various atmospheres within the same space.

Cirio is a system that provides customisable solutions for vertical lighting by combining structures, shades and light textures. The pendant lamp can be used alone or arranged in rows or clusters to illuminate larger areas, in forms such as the Chandelier, Cascada, Circular, Lineal, Oval or Múltiple. A perfect combination of repeated elements. The fusion of technology and tradition; innovation through craftsmanship. A truly unique lighting experience.

General description:

Capsule with LED module, translucent white diffuser and heat sink with black matte finish.

3 lampshade options: white porcelain, white opal glass and polished brass.

3 metal circular ceiling plate options with power supply incorporated for a minimum of 6 and a maximum of 12 light sources:

Surface-mounted: white or black with matte finish.

Recessed (European version): white.

S&C LED capsule suitable with HeadLed System lampshades.

Suitable for Junction Box (American version).

Electric cable length: 3 m / 118.1" - 8 m / 315"

Approximate weight (unpacked):

Porcelain lampshade: 8 Kg / 17.5 lb

Lampshades:

Porcelain: 0,5 kg / 1.1 lb

Glass: 0,6 kg / 1.3 lb

Brass: 0,3 Kg / 0.7 lb

Technical information:

Light source included (dimmable):

LED module

Rated input wattage: 6/12 x 7,7 W

Operating current: 700 mA

CCT: 2.700 K

CRI: 90

Lifetime: 40.000 h

Luminous flux:

Porcelain: 6/12 x 222 lm

Glass: 6/12 x 655 lm

Brass: 6/12 x 237 lm

Cirio Múltiple

Antoni Arola. 2010
Pendant lamps

Built-in LED.

European version: suitable for dimming 1-10V / DALI. Not included external dimmer switch 1-10V / DALI.

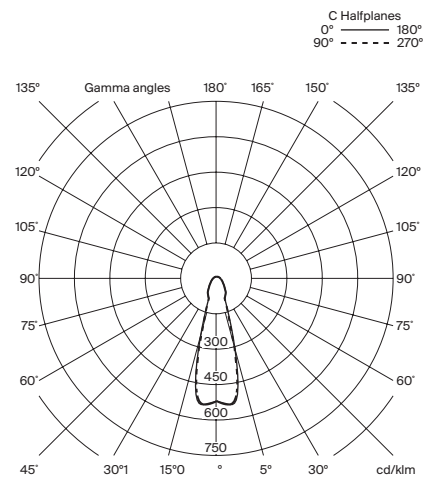
American version: suitable for dimming 1-10V. Not included external dimmer switch 1-10V.

Suitable only for indoor use.

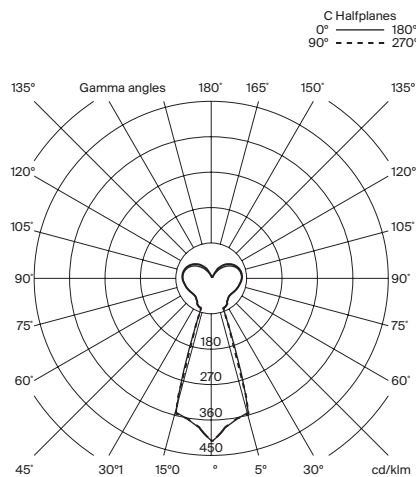
Input voltage: 120 ~ 277 Vac.

(50 Hz / 60 Hz). According to destination.

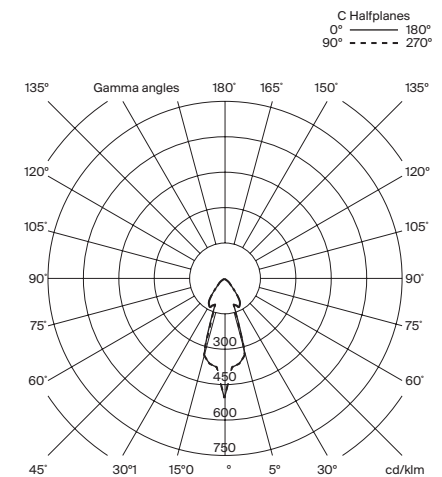
White porcelain lampshade



White opal glass lampshade



Brass lampshade



Regulations:

European version

UNE-EN 60598

UNE-EN 55015

UNE-EN 62031

UNE-EN 61000-3-2

American version

Dry and damp location

UL-1598

UL-8750

E-336377

Maintenance:

Clean with a smooth cloth. Do not use ammonia, solvents or abrasive cleaning products.

Others:

The lamp is delivered in different packages.

The assembly instructions are delivered with the product.

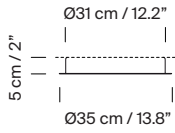
Cirio Múltiple

Antoni Arola. 2010
Pendant lamps

Model:

Canopies

Surface

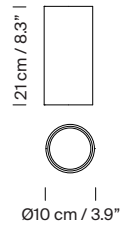


Built-in (only in European version)

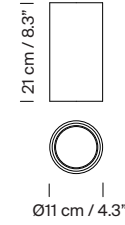


Lampshades

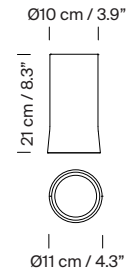
White porcelain



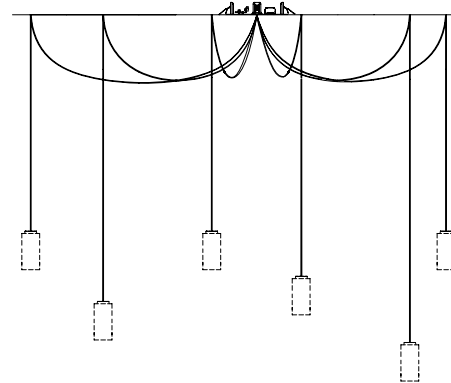
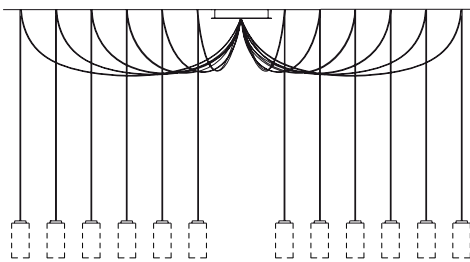
White opal glass



Brass



Possible arrangements



Collection:

Pendant lamps



Cirio Simple



Cirio Múltiple



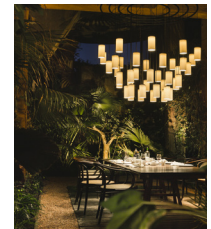
Cirio Cascada



Cirio Circular



Cirio Lineal



Cirio Chandelier

Wall lamps



Cirio