

Cirio Lineal

Antoni Arola. 2010
Pendant lamps



Porcelain



Glass



Brass



Cirio Lineal creates long lines of light by fitting together successive structures.

Cirio is a system that provides customisable solutions for vertical lighting by combining structures, shades and light textures. The pendant lamp can be used alone or arranged in rows or clusters to illuminate larger areas, in forms such as the Chandelier, Cascada, Circular, Lineal, Oval or Múltiple. A perfect combination of repeated elements. The fusion of technology and tradition; innovation through craftsmanship. A truly unique lighting experience.

General description:

Capsule with LED module, translucent white diffuser and heat sink with black matte finish.

3 lampshade options: white porcelain, white opal glass and polished brass.

Matte black aluminium structure.

Adjustable matte black metallic canopy with built-in equipment.

S&C LED capsule suitable with HeadLed System lampshades.

Suitable for Junction Box (American version).

Electric cable length: 5 m / 196.8"

Approximate weight (unpacked):

Cirio Lineal (with ceiling plate and porcelain lampshade): 7,5 Kg / 16.5 lb

Cirio Final (with porcelain lampshade): 4,5 Kg / 10 lb

Lampshades:

Porcelain: 0,5 kg / 1.1 lb

Glass: 0,6 kg / 1.3 lb

Brass: 0,3 Kg / 0.7 lb

Technical information:

Light source included (dimmable):

LED module

Circular canopy (European version):

Rated input wattage (LED capsule): 3,7 W

Rated input wattage: 18,5 W

Operating current: 350 mA

CCT: 2.700 K

CRI: 90

Lifetime: 40.000 h

Luminous flux:

Porcelain: (5) 610 lm / (10) 1.220 lm

Glass: (5) 2.080 lm / (10) 4.160 lm

Brass: (5) 655 lm / (10) 1.310 lm

Rectangular canopy:

Rated input wattage (LED capsule): 7,7 W

Rated input wattage: 38,5 W

Operating current: 700 mA

CCT: 2.700 K

CRI: 90

Lifetime: 40.000 h

Luminous flux:

Porcelain: (5) 1.110 lm / (10) 2.220 lm

Glass: (5) 3.275 lm / (10) 6.550 lm

Brass: (5) 1.185 lm / (10) 2.370 lm

Built-in LED.

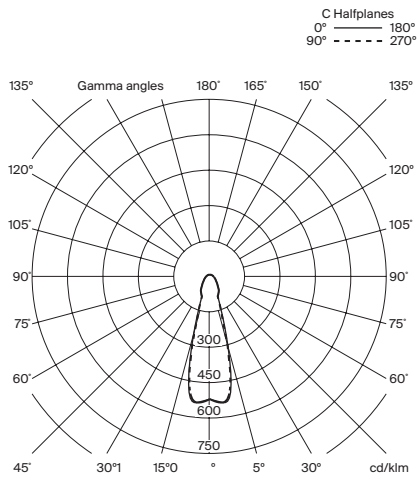
Circular (European version): regulation DALI / DSI / SWITCH DIM.

Rectangular: European version regulation 1-10V / DALI. Not included external dimmer switch. American version regulation 1-10V.

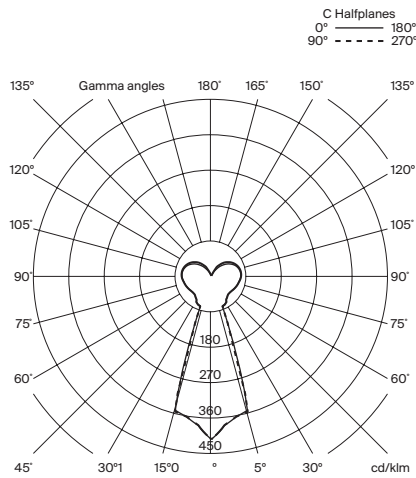
Not included external dimmer switch. Suitable only for indoor use.

Input voltage: 120 ~ 277 Vac. (50 Hz / 60 Hz). According to destination

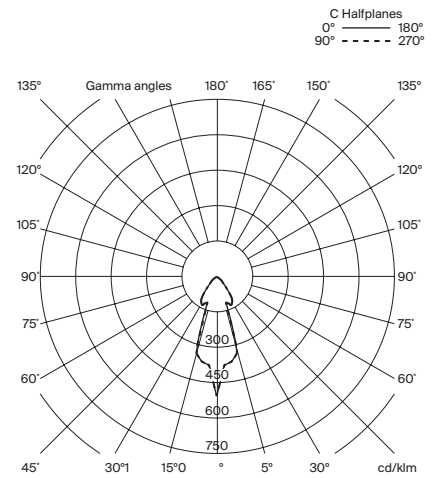
White porcelain lampshade



White opal glass lampshade



Brass lampshade



Regulations:

European version
 UNE-EN 60598
 UNE-EN 55015
 UNE-EN 62031
 UNE-EN 60529
 UNE-EN 61000-3-2

American version
 Dry and damp location
 UL-1598
 UL-8750
 E-336377

Maintenance:

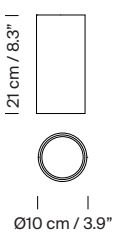
Clean with a smooth cloth. Do not use ammonia, solvents or abrasive cleaning products.

Others:

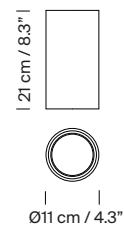
The lamp is delivered in different packages.
 The assembly instructions are delivered with the product.

Modelo: Lampshades

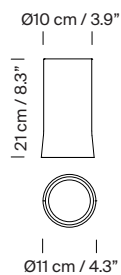
White porcelain



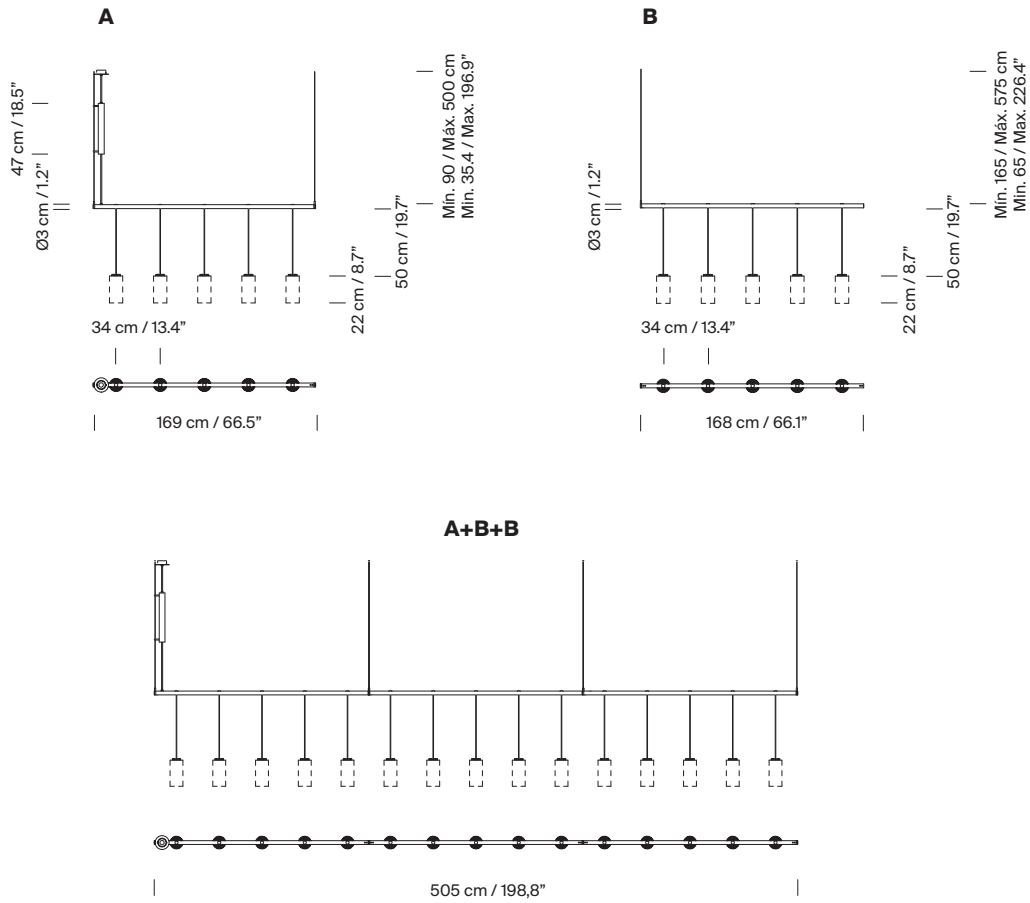
White opal glass



Brass

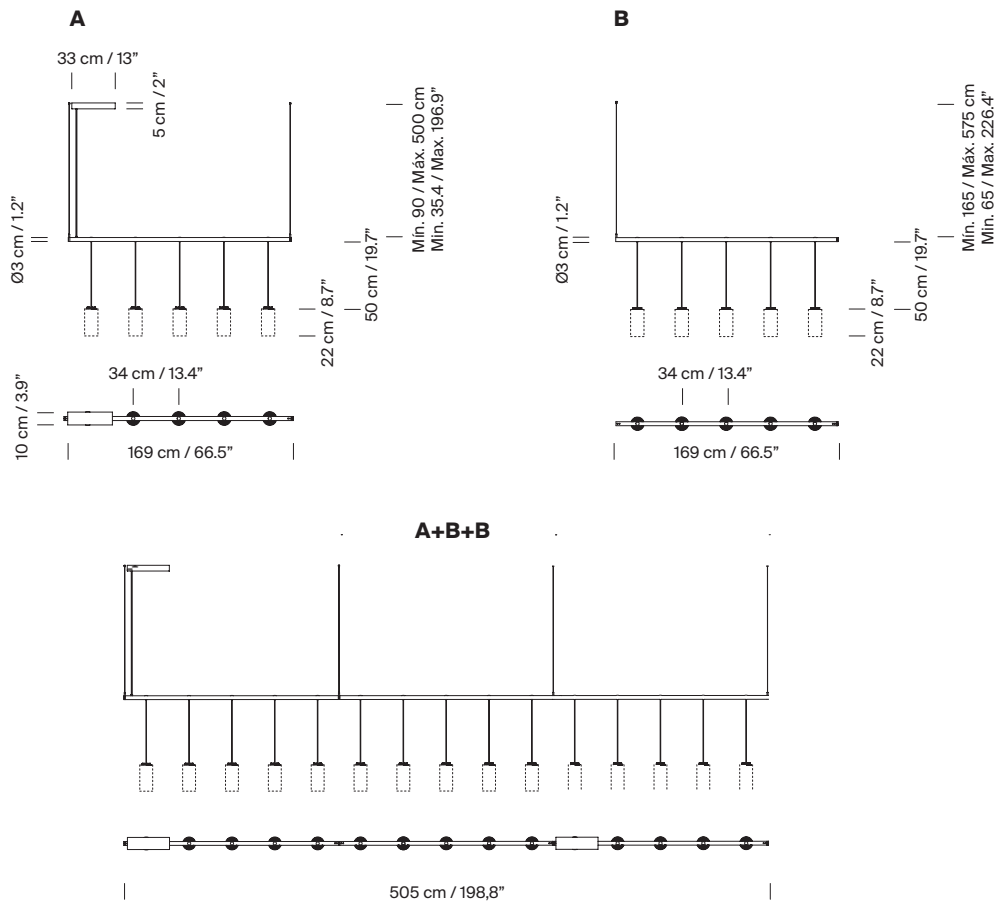


Modelo: Cirio Lineal - Circular canopy (European version)



CE

Modelo: Cirio Lineal - Rectangular canopy (European and American version)



Collection:
 Pendant lamps



Cirio Simple



Cirio Múltiple



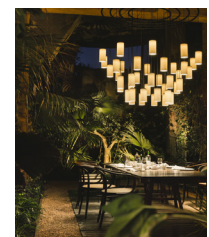
Cirio Cascada



Cirio Circular



Cirio Lineal



Cirio Chandelier

Wall lamps



Cirio