

Cirio Chandelier

Antoni Arola. 2015
Pendant lamps



Lampshades



Canopies



Chandelier S



A

Chandelier M



B

Chandelier L



C



The Cirio Chandelier pools a large body of light onto a focal axis that stands out hugely from its surrounding area. Its dense array of concentric rings, from which twenty, thirty and even forty light sources may be hung thanks to the enlargeable diameter of the structure, gives off a warm, powerful light with a major visual impact.

La familia Cirio soluciona con gran efecto cualquier necesidad gracias a su amplia gama de usos y formatos, combinando estructuras, pantallas y texturas de luz. Una lámpara para espacios compartidos, para momentos de reunión. Ya sea por sí sola, en forma de Chandelier, de Cascada, Circular, Lineal, Oval o Múltiple. Una perfecta combinación de elementos repetidos. Una unión entre tecnología y tradición; innovación y oficio. Y siempre recuerdas lo bien que te ilumina.

General description:

Capsule with LED module, translucent white diffuser and heat sink with black matte finish.

3 lampshade options: white porcelain, white opal glass and polished brass.

Matte black aluminium circular structure:

(A) \varnothing 100 cm / 39.4" for 20 lampshades

(B) \varnothing 130cm / 51.2" for 30 lampshades

(C) \varnothing 160 cm / 63" for 40 lampshades

Adjustable black metallic circular canopy + equipment.

2 hanging system options: direct cable to ceiling plate or direct cable to ceiling.

Suitable for Junction Box (American version).

Electric cable length: 5 m / 196.8"

Approximate weight (unpacked):

(A) Chandelier S: 20 Kg / 44 lb

(B) Chandelier M: 30 Kg / 66 lb

(C) Chandelier L: 40 Kg / 88 lb

Lampshades:

Porcelain: 0,5 kg / 1.1 lb

Glass: 0,6 kg / 1.3 lb

Brass: 0,3 Kg / 0.7 lb

Cirio Chandelier

Antoni Arola. 2015
Pendant lamps

Technical information:

Light source included (dimmable):
LED module

Rated input wattage (LED capsule): 5,7 W
Operating current: 530 mA
CCT: 2.700 K
CRI: 90
Lifetime: 40.000 h

(A)

Rated input wattage: 114 W
Luminous flux:
Porcelain 3.280 lm
Glass 11.180 lm
Brass 3.520 lm

(B)

Rated input wattage: 171 W
Luminous flux:
Porcelain 4.920 lm
Glass 16.770 lm
Brass 5.280 lm

(C)

Rated input wattage: 228 W
Luminous flux:
Porcelain 6.560 lm
Glass 22.360 lm
Brass 7.040 lm

Built-in adjustable LED.

European version: suitable for dimming 1-10V / DALI. Not included external dimmer switch 1-10V / DALI.

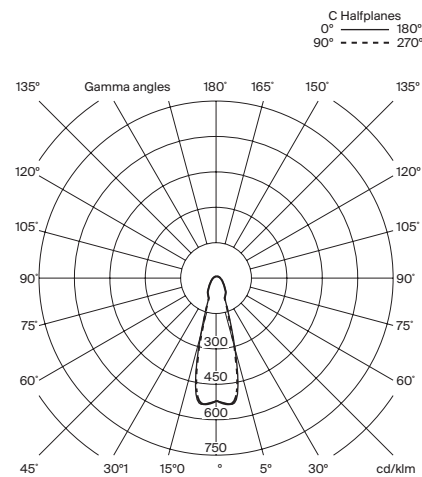
American version: suitable for dimming 1-10V. Not included external dimmer switch 1-10V.

Lamp suitable only for indoor use.

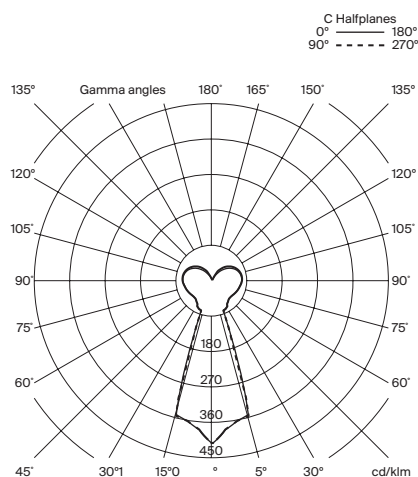
Input voltage: 120 ~ 277 Vac.

(50 Hz / 60 Hz). According to destination.

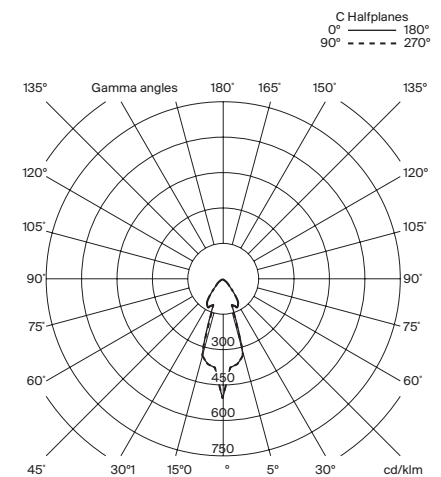
White porcelain lampshade



White opal glass lampshade



Brass lampshade



Regulations:

European version
UNE-EN 60598
UNE-EN 55015
UNE-EN 62031
UNE-EN 61000-3-2
UNE-EN 60529
UNE-EN 61347-2-13

American version
Dry and damp location
UL-1598
UL-8750
E-336377

Maintenance:

Clean with a smooth cloth. Do not use ammonia, solvents or abrasive cleaning products.

Others:

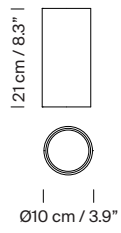
The lamp is delivered in different packages.
The assembly instructions are delivered with the product.

Cirio Chandelier

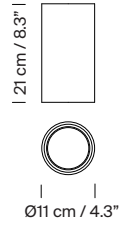
Antoni Arola. 2015
Pendant lamps

Model: Lampshades

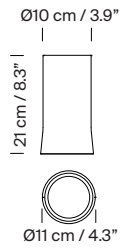
White porcelain



White opal glass

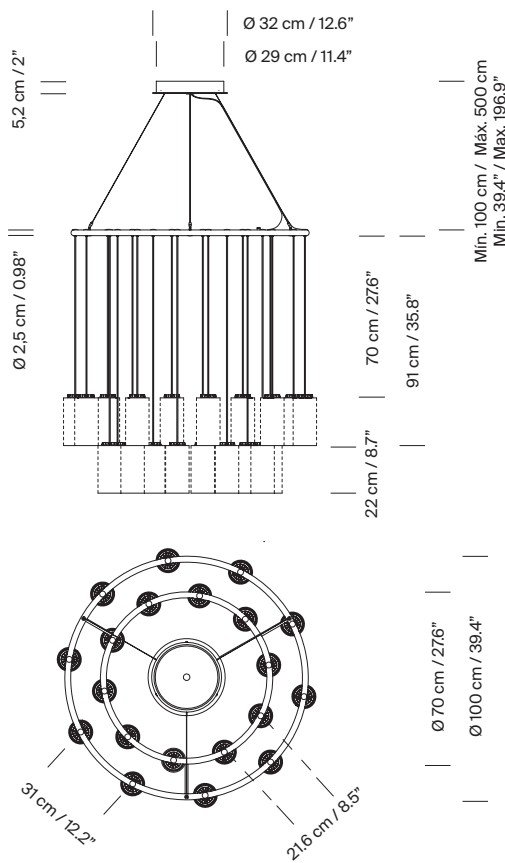


Brass

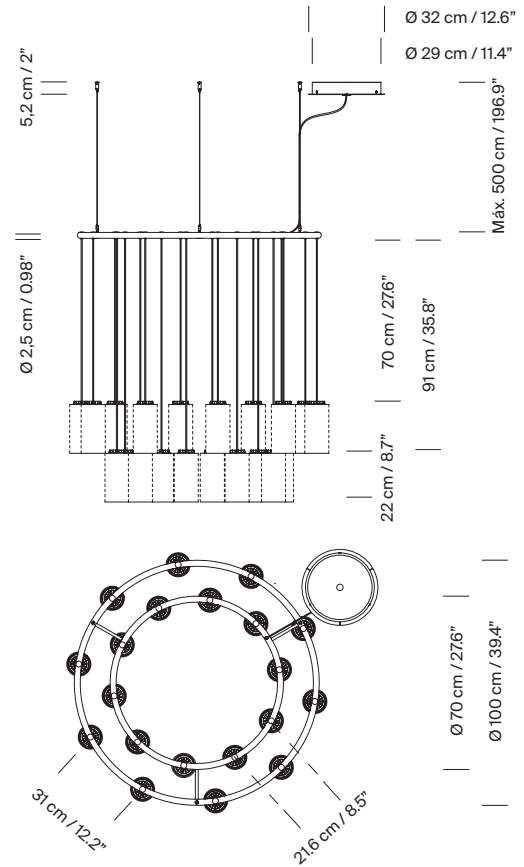


Model A: Cirio Chandelier S

Direct cable to canopy



Direct cable to ceiling

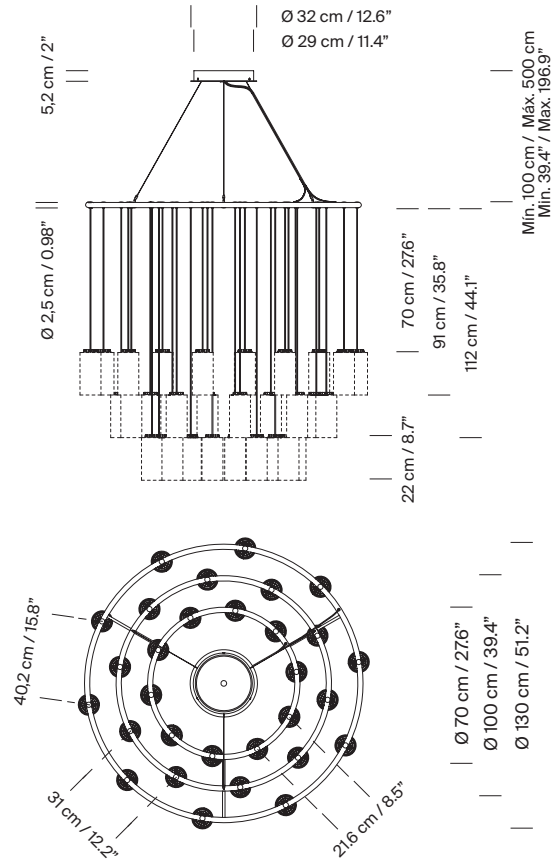


Cirio Chandelier

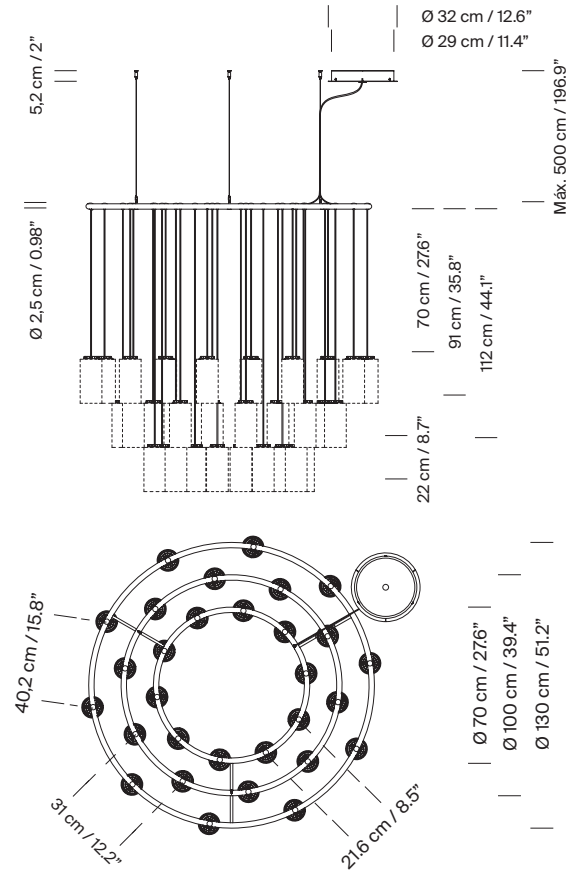
Antoni Arola. 2015
Pendant lamps

Model B: Cirio Chandelier M

Direct cable to canopy



Direct cable to ceiling

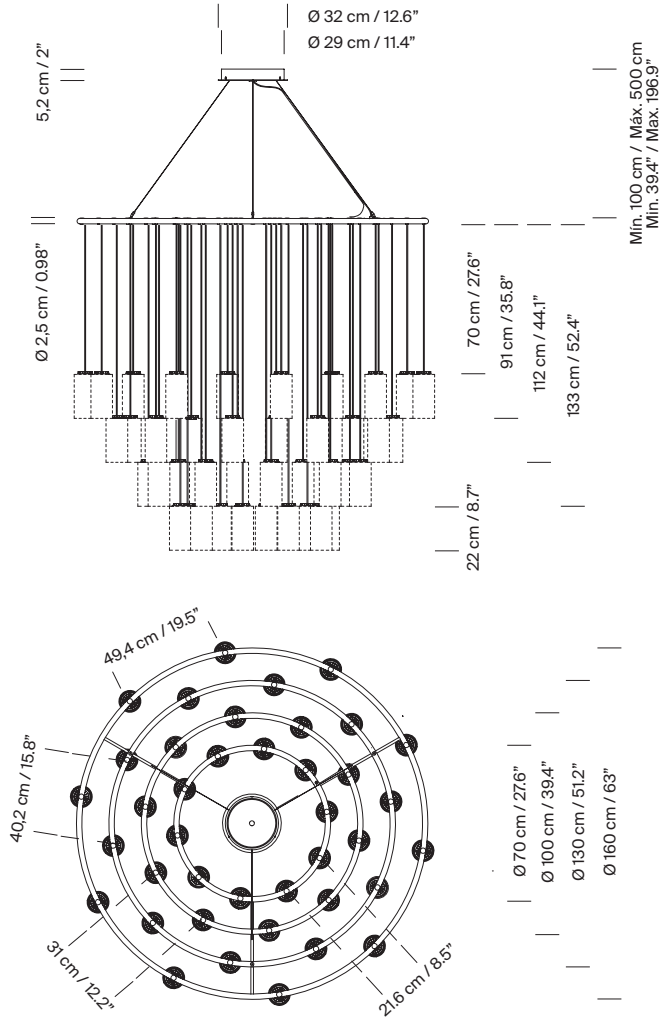


Cirio Chandelier

Antoni Arola. 2015
Pendant lamps

Model C: Cirio Chandelier L

Direct cable to canopy

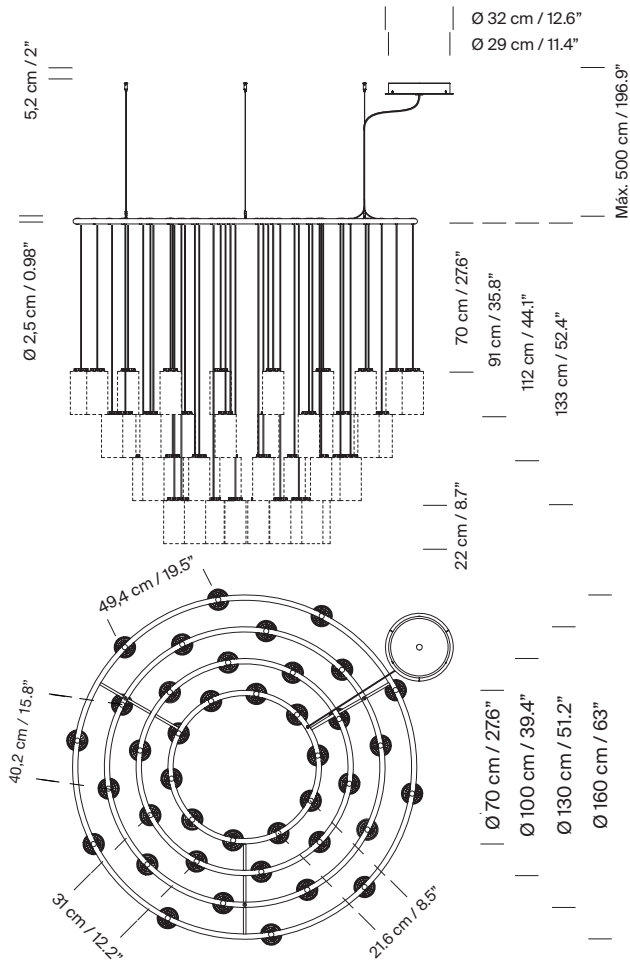


Cirio Chandelier

Antoni Arola. 2015
Pendant lamps

Model C: Cirio Chandelier L

Direct cable to ceiling



Collection:

Pendant lamps



Cirio Simple



Cirio Múltiple



Cirio Cascada



Cirio Circular



Cirio Lineal



Cirio Chandelier

Wall lamps



Cirio