

HeadHat Plate

Santa & Cole Team. 2013
Pendant lamps



Lampshades:



HeadHat Plate S



HeadHat Plate M



HeadHat Plate L



Canopy:



The HeadHat Plate pendant lamp has a polished metal shade that projects wide, glare-free lighting. The proportion of diffusion varies according to shade size. Available in three sizes; small, medium and large, and in four colourful finishes; white, berry blue, hematite red and truffle brown. The HeadLED system and its light capsule allows for a single capsule (head) to fit different shades (hats). Its interchangeable modular components and technology lend the intuitive HeadHat system products a long life cycle, good heat dissipation and a glare-free lighting experience.

General description:

Capsule with LED module, translucent white diffuser and heat sink with matte black finish.

White or hematite red metallic shade with matte finish. Includes diffuser in white methacrylate.

5 metal circular canopy options with power supply incorporated:

Not dimmable (European version): white recessed or white or black surface-mounted canopy with matte finish.

Dimmable (1-10 V / DALI): white or black surface-mounted canopy with matte finish.

Electric cable length: 3 m / 118.1" - 8 m / 315"

Suitable for Junction Box (American version).

Approximate weight (unpacked):

(A) HeadHat Plate S: 1,5 kg / 3 lb

(B) HeadHat Plate M: 1,9 kg / 4.2 lb

(C) HeadHat Plate L: 3 kg / 6.8 lb

HeadHat Plate

Santa & Cole Team. 2013
Pendant lamps

Technical information:

Light source included.
LED module

Not dimmable (European version):

Rated input wattage: 3,7 W
Operating current: 350 mA
Luminous flux: 416 lm

Dimmable:

Rated input wattage: 7,7 W
Operating current: 700 mA
Luminous flux: 752 lm

CCT: 2.700 K

CRI: 90

Lifetime: 40.000 h

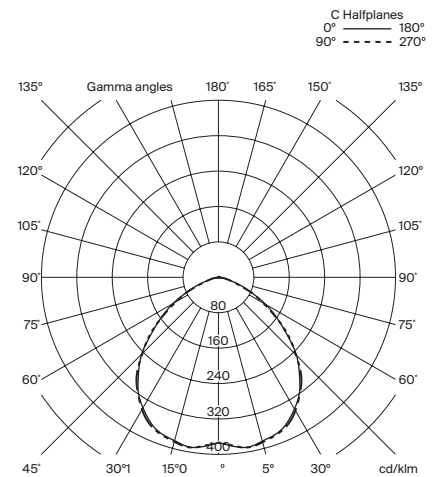
Built-in LED.

European version: Suitable for dimming 1-10V / DALI. Not included external dimmer switch 1-10V / DALI.

American version: Suitable for dimming 1-10V. Not included external dimmer switch 1-10V.

Suitable only for indoor use.

Input voltage: 90 ~ 305 Vac.
(50 Hz / 60 Hz). According to destination.



Regulations:

European version
UNE-EN 60598
UNE-EN 55015
UNE-EN 62031
UNE-EN 61000-3-2
UNE-EN 60529
UNE-EN 61347-2-13

American version
Dry location only
UL-1598
UL-8750
E-336377

Maintenance:

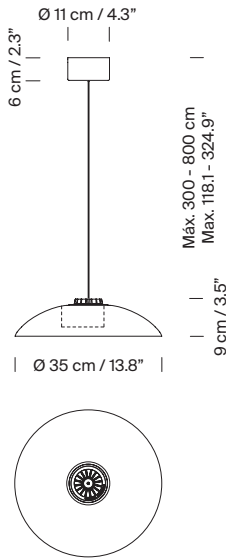
Clean with a smooth cloth. Do not use ammonia, solvents or abrasive cleaning products.

Others:

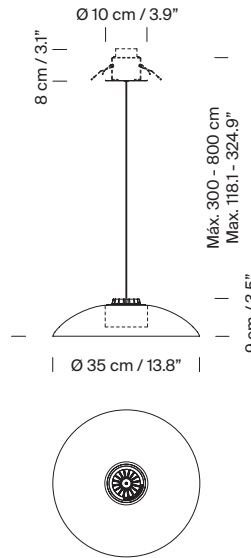
The lamp is delivered in different packages.
The assembly instructions are delivered with the product.

Model A: HeadHat Plate S

Surface canopy

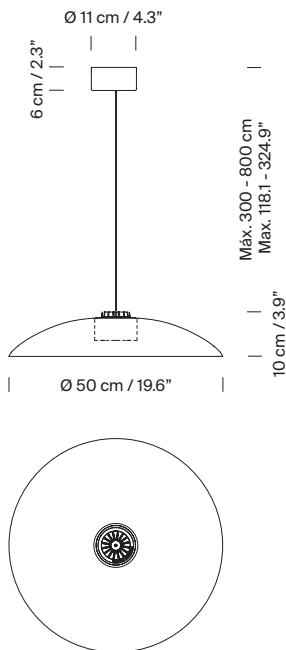


Built-in canopy (European version)

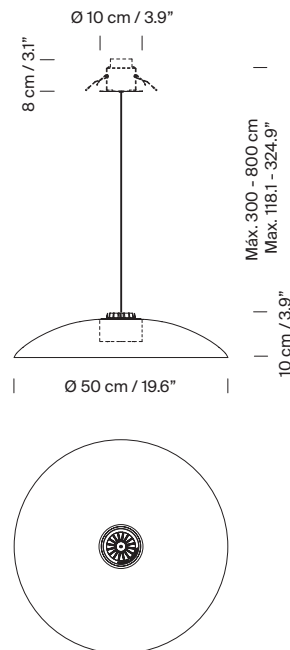


Model B: HeadHat Plate M

Surface canopy

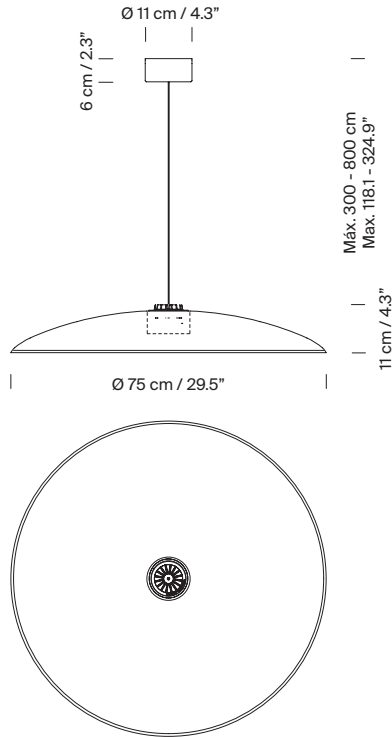


Built-in canopy (European version)

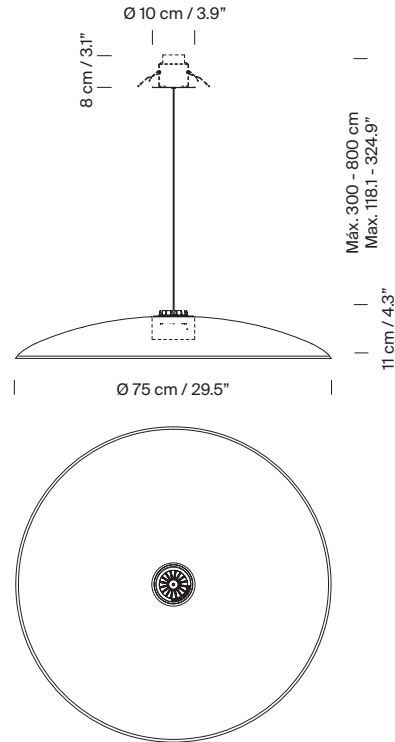


Model C: HeadHat Plate L

Surface canopy



Built-in canopy (European version)



Collection:
 Pendant lamps



HeadHat Bowl



HeadHat Plate