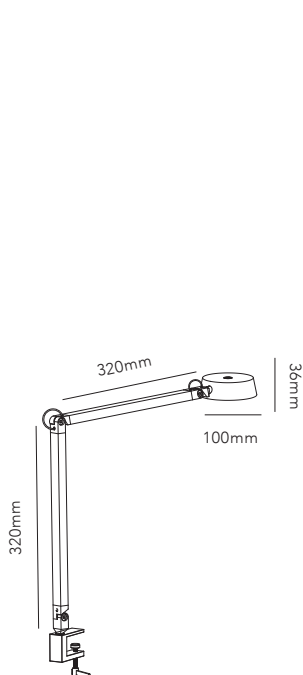


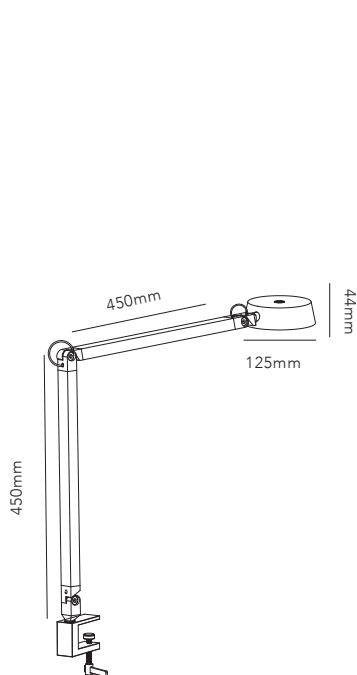


DARK T & DARK F

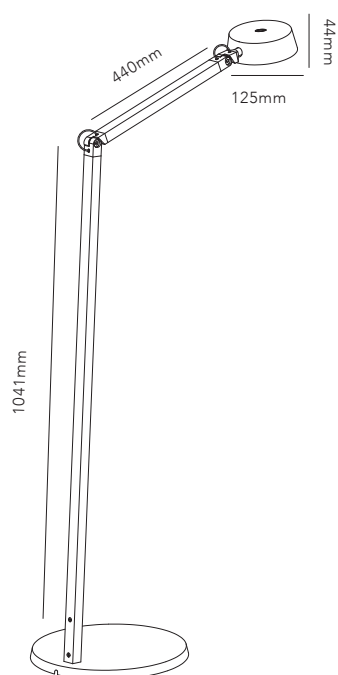
Design: Nital Patel



DARK T1



DARK T2



DARK F1

DARK T & DARK F - 3000K

Design: Nital Patel

ART. NAME	DARK T1	DARK T2	DARK F1
Art. no. white	271130	271140	271120
Art. no. carbon black	271131	271141	271121
Art. no. rose gold	271132	271142	271122
Art. no. titanium	271133	271143	271123
Art. no. brass	271134	271144	271124
EAN white	5711389711306	5711389711405	5711389711207
EAN carbon black	5711389711313	5711389711412	5711389711214
EAN rose gold	5711389711320	5711389711429	5711389711221
EAN titanium	5711389711337	5711389711436	5711389711238
EAN brass	5711389711344	5711389711443	5711389711245
Material	Aluminium	Aluminium	Aluminium
Light source	N/A	N/A	N/A
Lifetime	50.000	50.000	50.000
Number of light sources	1	1	1
Electronical gear	N/A	N/A	N/A
Driver watt	N/A	N/A	N/A
Light source watt	10	15	15
System watt	10	15	15
Voltage	220-240	220-240	220-240
Dimmable	Yes	Yes	Yes
Lumen output	780 (nominal)	1050 (nominal)	910 (nominal)
Lumen pr. watt	76	72	68
Flux	N/A	N/A	N/A
CCT (K)	3000	3000	3000
RA/CRI	>90	>90	>90
Mac Adam	3	3	3
Light distribution	Down	Down	Down
Beam angle	N/A	N/A	N/A
Tilt angle	N/A	N/A	N/A
Cutout mm.	N/A	N/A	N/A
Rotation	N/A	N/A	N/A
Looping	N/A	N/A	N/A