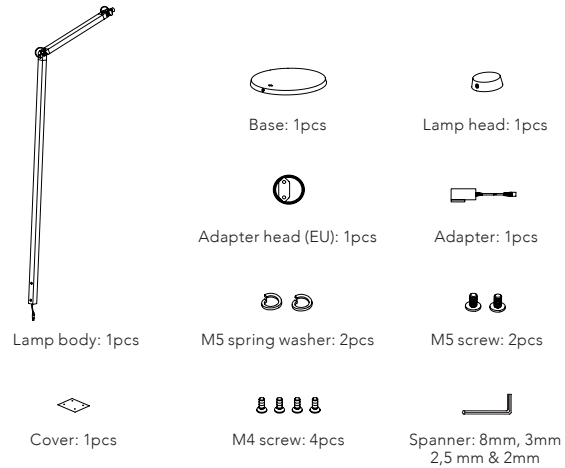
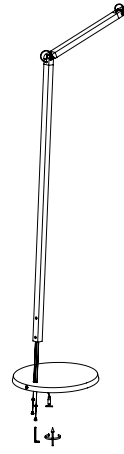


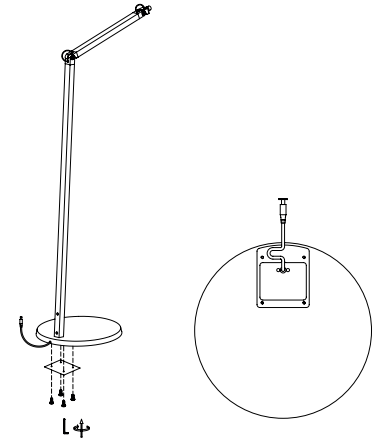
Installation instructions



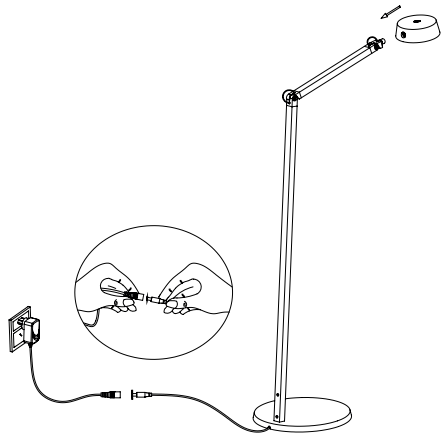
1 Open the box and identify the various lamp accessories.



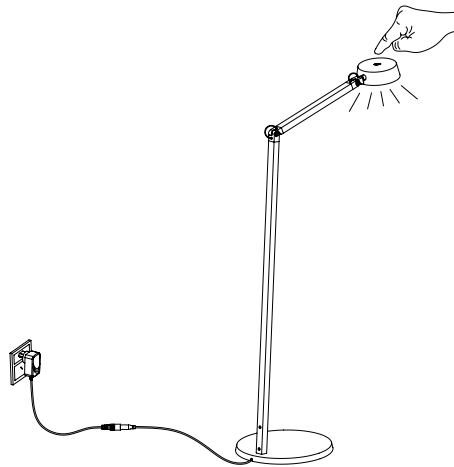
2 Put the lamp body on the base, lock the lamp body with M5 screw and M5 spring washer with 3*3mm spanner



3 Clip the wire into the base slot and cover the wire with the bottom plate. Then use 2.5*2.5mm 7 spanner to lock M4 screw into bottom plate.



4 A. Insert the lamp head into the lamp body
B. Connect the cable female and male connector.



5 Plug in the power, touch the center of the lamp holder to light up, long press to adjust brightness. The lamp has a memory function, meaning it can remember your last light intensity when turned off and on again



DARK Collection

DARK is quintessentially an example of the maxim "form follows function". Precision workmanship, high-quality materials and precisely worked details such as the seamlessly integrated hinge design gives the collection its elegance.

The tapered angles give the lamp a more 3-dimensional expression, which has over the years become the iconic signature for LIGHT-POINT products.



DARK F1

User Instructions

General use

- The product is designed for indoor use only.
- The lamp gets hot after prolonged use, therefore, do not cover the product.

Cleaning instructions

- Before cleaning, ensure that the power supply is switched off.
- Wipe surface of lamp shade with a soft cloth.
- Do not use any abrasive cleaning tools such as steel wool, scouring sponges or stiff brushes.
- Never use strong cleaning agents such as white spirit, household glass cleaner or cellulose thinners.

Safety precautions

- The appliance should be installed, connected and tested by qualified electrician and in accordance with local regulations.
- Turn off the power supply before installation or maintenance of the lamp, and make sure that the cables are not squeezed or damaged by sharp edges during installation.
- The lamp should not be covered by insulation blankets or similar materials.

International warranty

Your product has gone through rigorous testing in order to live up to the highest quality standards. It therefore carries a 7-year warranty from the date of the original retail purchase receipt, covering defects in materials and workmanship when used normally in accordance with the published LIGHT-POINT guidelines.

These guidelines include but are not limited to information contained in technical specifications, safety instructions and quick start guides. LIGHT-POINT is not responsible for damage arising from failure to follow instructions relating to the use of the product.

LIGHT-POINT is a registered trademark of NORDIC LIVING GROUP.

For more information, please visit
LIGHT-POINT.COM