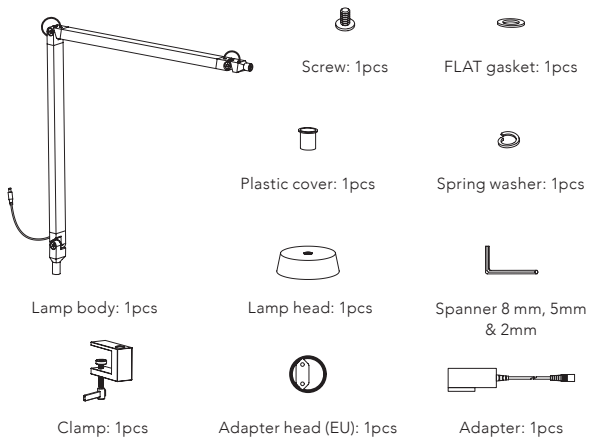


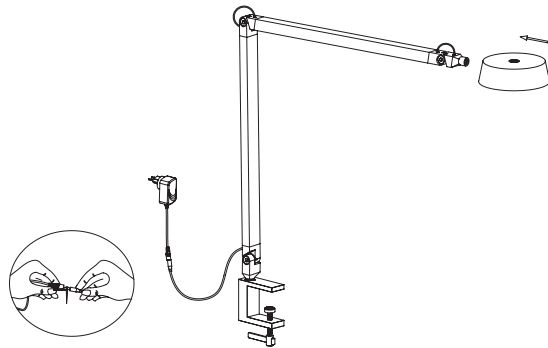
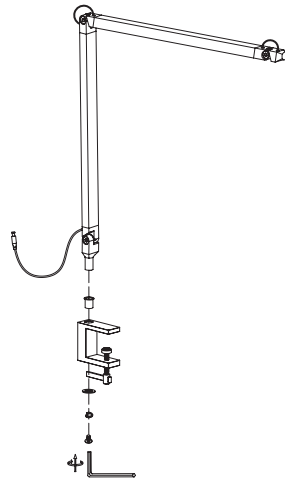
## Installation Instructions

NOTE: Please make sure the power supply is turned off before installing the lamp.

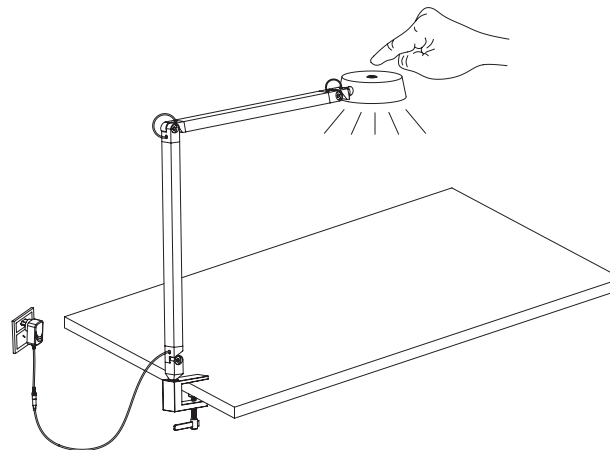


**1** Open the package and count the number of lamp accessories.

**2** Install the lamp body, plastic cover, clamp, flat gasket, spring Washers, cylindrical head hexagon screws, with 5mm wrench to lock them successively.



**3** **A:** Insert the lamp head into the lamp body.  
**B:** Connect the cable female and male connector.



**4** Install the clamp on the table, plug in the power, touch the center of the lamp holder to light up, long press to adjust brightness. The lamp has a memory function, meaning it can remember your last light intensity when turned off and on again

## General use

- The product is designed for indoor use only.
- The lamp gets hot after prolonged use, therefore, do not cover the product.

## Cleaning instructions

- Before cleaning, ensure that the power supply is switched off.
- Wipe surface of lamp shade with a soft cloth.
- Do not use any abrasive cleaning tools such as steel wool, scouring sponges or stiff brushes.
- Never use strong cleaning agents such as white spirit, household glass cleaner or cellulose thinners.

## Safety precautions

- The appliance should be installed, connected and tested by qualified electrician and in accordance with local regulations.
- Turn off the power supply before installation or maintenance of the lamp, and make sure that the cables are not squeezed or damaged by sharp edges during installation.
- The lamp should not be covered by insulation blankets or similar materials.

## International warranty

Your product has gone through rigorous testing in order to live up to the highest quality standards. It therefore carries a 7-year warranty from the date of the original retail purchase receipt, covering defects in materials and workmanship when used normally in accordance with the published LIGHT-POINT guidelines.

These guidelines include but are not limited to information contained in technical specifications, safety instructions and quick start guides. LIGHT-POINT is not responsible for damage arising from failure to follow instructions relating to the use of the product.

LIGHT-POINT is a registered trademark of NORDIC LIVING GROUP.

For more information, please visit  
**LIGHT-POINT.COM**



# DARK Collection

DARK is quintessentially an example of the maxim "form follows function". Precision workmanship, high-quality materials and precisely worked details such as the seamlessly integrated hinge design gives the collection its elegance.

The tapered angles give the lamp a more 3-dimensional expression, which has over the years become the iconic signature for LIGHT-POINT products.

DARK T1 and T2 is delivered with a clamp. Table base and wall mount is sold separately.



## DARK T2 User Instructions



The optic glass provides glare-free light, making it the most comfortable task light for your eyes.