

Installation instructions



Wall mount: 1pcs



Sliding block: 1pcs



Plastic cover: 1pcs



FLAT gasket: 1pcs



Spring washer: 1pcs



Screw: 1pcs



Plastic anchors: 4pcs



Screw: 4pcs



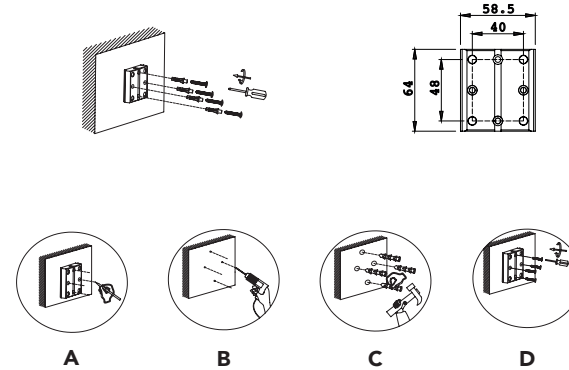
Spanner 5mm: 1pcs



Silicone pad

1

Open the box and identify the various lamp accessories.

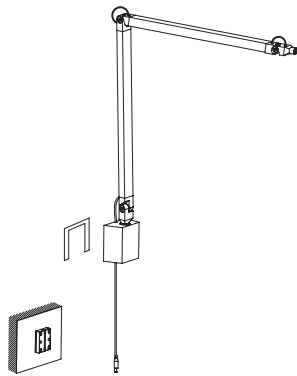


2

- A. Fix the wall mount on the wall and mark the drilling points for the screws.
- B. Drill into the marked drilling points using a $\text{Ø}6\text{mm}$ drill bit.
- C. Fix the installation colloidal particles in the installation hole.
- D. Use a screw driver to fix the flat head cross tapping screws to the wall.

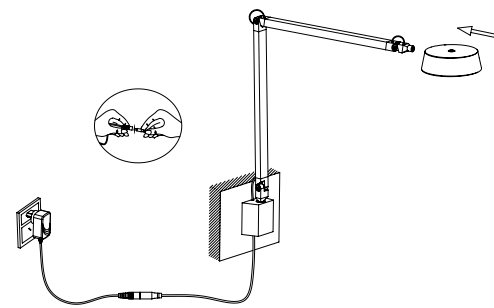
3

Install the lamp body, plastic cover, wall mount, flat gasket, spring washers, cylindrical head hexagon screws, with 5mm spanner to lock them successively.



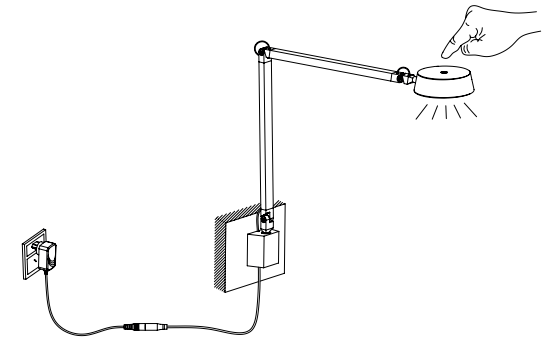
4

- A. Straighten the thread, insert it into the thread groove of the slide block, and then attach the silicone pad.
- B. Then insert the slider into the wall mount.



5

- A. Insert the lamp head into the lamp body
- B. Connect the cable female and male connector.



6

Plug in the power, touch the center of the lamp holder to light up, long press to adjust brightness. The lamp has a memory function, meaning it can remember your last light intensity when turned off and on again

DARK Collection

DARK is quintessentially an example of the maxim "form follows function". Precision workmanship, high-quality materials and precisely worked details such as the seamlessly integrated hinge design gives the collection its elegance. The tapered angles give the lamp a more 3-dimensional expression, which has over the years become the iconic signature for LIGHT-POINT products.

This Wall Mount is for DARK T1 or T2.

General use

- The product is designed for indoor use only.
- The lamp gets hot after prolonged use, therefore, do not cover the product.

Cleaning instructions

- Before cleaning, ensure that the power supply is switched off.
- Wipe surface of lamp shade with a soft cloth.
- Do not use any abrasive cleaning tools such as steel wool, scouring sponges or stiff brushes.
- Never use strong cleaning agents such as white spirit, household glass cleaner or cellulose thinners.

Safety precautions

- The appliance should be installed, connected and tested by qualified electrician and in accordance with local regulations.
- Turn off the power supply before installation or maintenance of the lamp, and make sure that the cables are not squeezed or damaged by sharp edges during installation.
- The lamp should not be covered by insulation blankets or similar materials.

DARK WALL MOUNT

T1 & T2 - User Instructions



International warranty

Your product has gone through rigorous testing in order to live up to the highest quality standards. It therefore carries a 7-year warranty from the date of the original retail purchase receipt, covering defects in materials and workmanship when used normally in accordance with the published LIGHT-POINT guidelines.

These guidelines include but are not limited to information contained in technical specifications, safety instructions and quick start guides. LIGHT-POINT is not responsible for damage arising from failure to follow instructions relating to the use of the product.

LIGHT-POINT is a registered trademark of NORDIC LIVING GROUP.

For more information, please visit
LIGHT-POINT.COM