

**FEATURES**

- High end aluminum heatsink with a unique elegant design
- PCB with a high power Lumileds Powerleds in 2700K, 3000K and 4000K
- Illuxtron patented optical lens system that makes pin-hole light possible
- Anti glare cap that ensures no stray light. The total light opening is only 8mm!

**Bartenbach**  
lighting optics



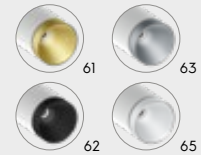
**SPRINGS**

Standard with CS springs (concrete).  
Also available as above with WS springs (gyproc/metal).



**COLOURS**

Available colours:



Nr	Housing	Ring
	RAL 9016	
XX=61	Matt white	Gold
XX=63	Matt white	Silver
XX=62	Matt white	Black
XX=65	Matt white	White



Nr	Housing	Ring
	RAL 9005	
XX=71	Matt black	Gold
XX=74	Matt black	Silver
XX=72	Matt black	Black
XX=76	Matt black	White

# Pointer Spot 75 LV

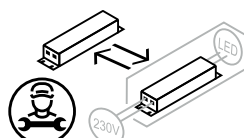
Adjustable

## SPECIFICATIONS

<b>Beam angle (FWHM)</b>	35° (45° FWTM) / 60° (80° FWTM)
<b>Fixture material</b>	Die cast aluminium
<b>Environment</b>	Indoor
<b>IK rate</b>	IK10
<b>Operating temperature (Ta)</b>	-20°C / +45°C <sup>1</sup>
<b>Safety marks</b>	EN60598 / EN62031 / EN62471
<b>EMC compliance</b>	EN55015
<b>Colour consistency (SDCM)</b>	MacAdam step 3
<b>Warranty</b>	7 years * (within the European Union and the countries of the Free Trade Association for products delivered after 1 May 2015)
<b>Energy class</b>	This product contains a light source of energy efficiency class F (2700K/3000K) and class E (4000K)

This luminaire contains built-in LED lamps. There are no exchangeable parts inside the luminaire. EU 874/2012

<sup>1</sup> In applications with a flat roof (fi. car showrooms) the temperatures may exceed 45°C. Please ask our sales office for a special driver.

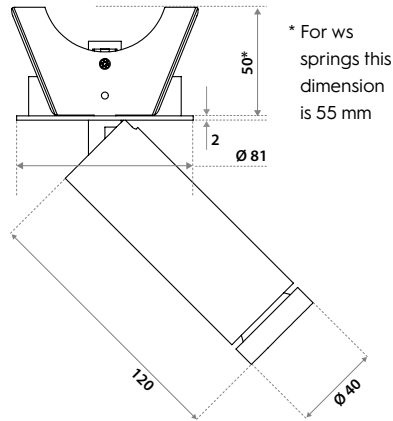


IP20

**POINTER SPOT 75 LV VARIATIONS**

Pointer Spot 75 LV	220-240V	incl. power supply	page 3
Pointer Spot 75 LVC	700mA	to be connected to a central power supply	page 4

**DIMENSIONS**



**HOLE SIZE**



**Using CS springs:** Ø 75 mm.  
Thickness ceiling 5-60 mm  
& recess depth 55 mm.



**Using WS springs:** Ø 77 mm.  
Thickness ceiling 1-55 mm  
& recess depth 60 mm.

**FIRE RATING TUBE**

Description	Item code	Hole size	time
Fire rating tube 75	009G03MW0000	ø76x86mm	90 min.

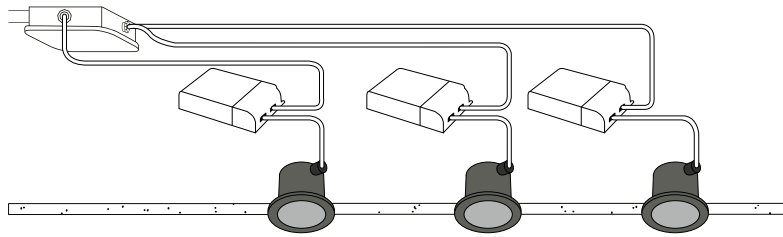


**⚠** Only in combination with WS (wire) springs versions.

**POINTER SPOT 75 LV** (dimmable - incl. individual power supply)

**220-240V**

Downlight incl. PSU



**ITEM SPECIFICATIONS (PART A)**

Description	Item code CS	Item code WS	Input	W	Lm	Lm/W	CRI (typ.)	UGR	Pf	Ripple	Inrush current	B-16A Fuse
Pointer Spot 75 LV 35° 500 Lm 2700K No dim	OT2703XXLU02	OT2703XXWA02	220-240V	9,2	500	54	82	9,8	0,95	<3%	5A 50µS	50 pcs
Pointer Spot 75 LV 35° 525 Lm 3000K No dim	OT2703XXLV02	OT2703XXWB02	220-240V	9,2	525	57	82	9,9	0,95	<3%	5A 50µS	50 pcs
Pointer Spot 75 LV 35° 550 Lm 4000K No dim	OT2703XXLW02	OT2703XXWC02	220-240V	9,2	550	60	82	10,1	0,95	<3%	5A 50µS	50 pcs
Pointer Spot 75 LV 60° 550 Lm 2700K No dim	OT2703XXLX02	OT2703XXWD02	220-240V	9,2	550	60	82	20	0,95	<3%	5A 50µS	50 pcs
Pointer Spot 75 LV 60° 600 Lm 3000K No dim	OT2703XXLY02	OT2703XXWE02	220-240V	9,2	600	65	82	20,3	0,95	<3%	5A 50µS	50 pcs
Pointer Spot 75 LV 60° 650 Lm 4000K No dim	OT2703XXLZ02	OT2703XXWF02	220-240V	9,2	650	71	82	20,6	0,95	<3%	5A 50µS	50 pcs
Pointer Spot 75 LV 35° 500 Lm 2700K Triac dim	OT2703XXLG02	OT2703XXWN02	220-240V	9,2	500	54	82	9,8	0,96	<20%	2A 50µS	50 pcs
Pointer Spot 75 LV 35° 525 Lm 3000K Triac dim	OT2703XXLH02	OT2703XXWP02	220-240V	9,2	525	57	82	9,9	0,96	<20%	2A 50µS	50 pcs
Pointer Spot 75 LV 35° 550 Lm 4000K Triac dim	OT2703XXLJ02	OT2703XXWQ02	220-240V	9,2	550	60	82	10,1	0,96	<20%	2A 50µS	50 pcs
Pointer Spot 75 LV 60° 550 Lm 2700K Triac dim	OT2703XXLK02	OT2703XXWR02	220-240V	9,2	550	60	82	20	0,96	<20%	2A 50µS	50 pcs
Pointer Spot 75 LV 60° 600 Lm 3000K Triac dim	OT2703XXLL02	OT2703XXWS02	220-240V	9,2	600	65	82	20,3	0,96	<20%	2A 50µS	50 pcs
Pointer Spot 75 LV 60° 650 Lm 4000K Triac dim	OT2703XXLM02	OT2703XXWT02	220-240V	9,2	650	71	82	20,6	0,96	<20%	2A 50µS	50 pcs
Pointer Spot 75 LV 35° 500 Lm 2700K 1-10V & Push	OT2703XXWG02	OT2703XXG02	220-240V	9,2	500	54	82	9,8	0,95	<3%	5A 50µS	50 pcs
Pointer Spot 75 LV 35° 525 Lm 3000K 1-10V & Push	OT2703XXWH02	OT2703XXH02	220-240V	9,2	525	57	82	9,9	0,95	<3%	5A 50µS	50 pcs
Pointer Spot 75 LV 35° 550 Lm 4000K 1-10V & Push	OT2703XXWJ02	OT2703XXI02	220-240V	9,2	550	60	82	10,1	0,95	<3%	5A 50µS	50 pcs
Pointer Spot 75 LV 60° 550 Lm 2700K 1-10V & Push	OT2703XXWK02	OT2703XXK02	220-240V	9,2	550	60	82	20	0,95	<3%	5A 50µS	50 pcs
Pointer Spot 75 LV 60° 600 Lm 3000K 1-10V & Push	OT2703XXWL02	OT2703XXL02	220-240V	9,2	600	65	82	20,3	0,95	<3%	5A 50µS	50 pcs
Pointer Spot 75 LV 60° 650 Lm 4000K 1-10V & Push	OT2703XXWM02	OT2703XXM02	220-240V	9,2	650	71	82	20,6	0,95	<3%	5A 50µS	50 pcs
Pointer Spot 75 LV 35° 500 Lm 2700K Dali	OT2703XXL002	OT2703XXW002	220-240V	9,2	500	54	82	9,8	0,95	<3%	5A 50µS	50 pcs
Pointer Spot 75 LV 35° 525 Lm 3000K Dali	OT2703XXL102	OT2703XXW102	220-240V	9,2	525	57	82	9,9	0,95	<3%	5A 50µS	50 pcs
Pointer Spot 75 LV 35° 550 Lm 4000K Dali	OT2703XXL202	OT2703XXW202	220-240V	9,2	550	60	82	10,1	0,95	<3%	5A 50µS	50 pcs
Pointer Spot 75 LV 60° 550 Lm 2700K Dali	OT2703XXL302	OT2703XXW302	220-240V	9,2	550	60	82	20	0,95	<3%	5A 50µS	50 pcs
Pointer Spot 75 LV 60° 600 Lm 3000K Dali	OT2703XXL402	OT2703XXW402	220-240V	9,2	600	65	82	20,3	0,95	<3%	5A 50µS	50 pcs
Pointer Spot 75 LV 60° 650 Lm 4000K Dali	OT2703XXL502	OT2703XXW502	220-240V	9,2	650	71	82	20,6	0,95	<3%	5A 50µS	50 pcs

**ITEM SPECIFICATIONS (PART B)**

Description	Safety class	Energy class	Weight	Dimensions single carton	Quantity per carton	Expected lifespan B10 reported (25°C)		
						L70B10	L80B10	L90B10
Pointer Spot 75 LV 2700K	II	F	276 gr	105x105x61 mm	42 pcs	>60.000 hrs	>60.000 hrs	>60.000 hrs
Pointer Spot 75 LV 3000K	II	F	276 gr	105x105x61 mm	42 pcs	>60.000 hrs	>60.000 hrs	>60.000 hrs
Pointer Spot 75 LV 4000K	II	E	276 gr	105x105x61 mm	42 pcs	>60.000 hrs	>60.000 hrs	>60.000 hrs

All values are measured at 230V (+/- 7%)

**INCL. PSU**

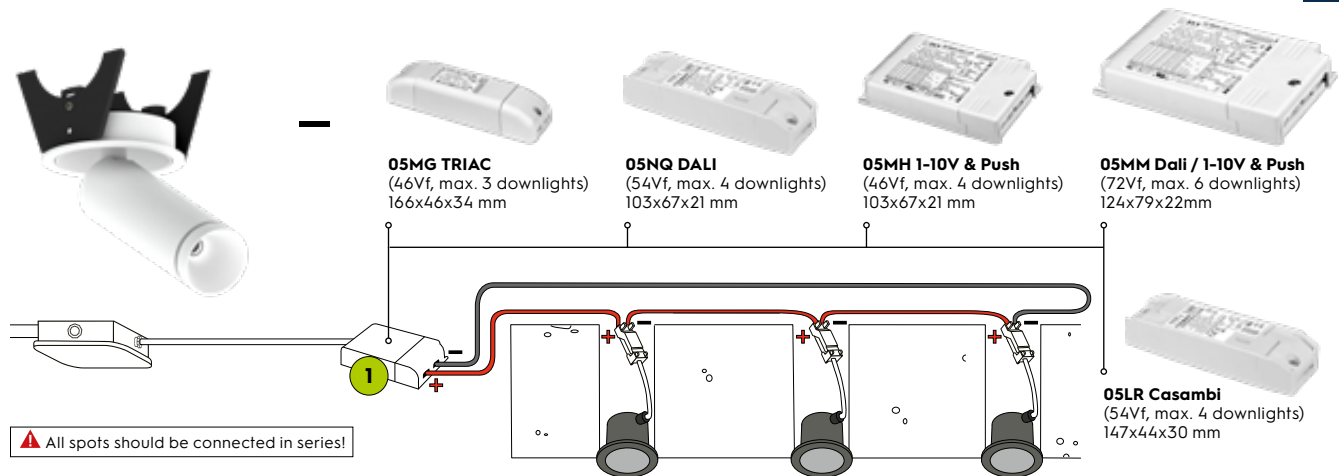
- PSU TCI 127042 Triac dim 102x38x21 mm
- PSU TCI 123400 1-10V & Push 102x38x21 mm
- PSU TCI 127576 Dali 147x44x22 mm



Cable  
150 mm

**POINTER SPOT 75** (dimmable - excl. central power supply)

**700 mA**



**ITEM SPECIFICATIONS (PART A)**

Description	Item code CS	Item code WS	Input	Vf	W	Lm	Lm/W	CRI (typ.)	UGR	Pf	Ripple	Inrush current	B-16A Fuse
Pointer Spot 75 LVC 700mA 35° 500 Lm 2700K	0T2703XXLGE2	0T2703XXWNE2	700mA	11,4	8	500	63	82	9,8	x	x	x	x
Pointer Spot 75 LVC 700mA 35° 525 Lm 3000K	0T2703XXLHE2	0T2703XXWPE2	700mA	11,4	8	525	66	82	9,9	x	x	x	x
Pointer Spot 75 LVC 700mA 35° 550 Lm 4000K	0T2703XXLJE2	0T2703XXWQE2	700mA	11,4	8	550	69	82	10,1	x	x	x	x
Pointer Spot 75 LVC 700mA 60° 550 Lm 2700K	0T2703XXLKE2	0T2703XXWRE2	700mA	11,4	8	550	69	82	20	x	x	x	x
Pointer Spot 75 LVC 700mA 60° 600 Lm 3000K	0T2703XXLLE2	0T2703XXWSE2	700mA	11,4	8	600	75	82	20,3	x	x	x	x
Pointer Spot 75 LVC 700mA 60° 650 Lm 4000K	0T2703XXLME2	0T2703XXWTE2	700mA	11,4	8	650	81	82	20,6	x	x	x	x

**ITEM SPECIFICATIONS (PART B)**

Description	Safety class	Energy class	Weight	Dimensions single carton	Quantity per carton	Expected lifespan B10 reported (25°C)		
						L70B10	L80B10	L90B10
Pointer Spot 75 LVC 700mA 2700K	III	F	226 gr	105x105x61 mm	42 pcs	>60.000 hrs	>60.000 hrs	>60.000 hrs
Pointer Spot 75 LVC 700mA 3000K	III	F	226 gr	105x105x61 mm	42 pcs	>60.000 hrs	>60.000 hrs	>60.000 hrs
Pointer Spot 75 LVC 700mA 4000K	III	E	226 gr	105x105x61 mm	42 pcs	>60.000 hrs	>60.000 hrs	>60.000 hrs

**ITEM SPECIFICATIONS (PSU)**

Description	Item code	Input	Watt	Current	Efficiency	Pf	Ripple	Weight	Inrush current	B-16A Fuse
PSU 32W 700mA Triac (I)	05MG03MLMF00	220-240V	32W (46Vf)	700mA	85%	0.97	<3%	138 gr	5A 50µS	50 pcs
PSU 38W 700mA Dali (I)	05NQ03MLMF00	220-240V	38W (54Vf)	700mA	90%	0.95	<3%	139 gr	5A 50µS	50 pcs
PSU 32W 700mA 1-10V & Push (I)	05MH03MLMF00	220-240V	32W (46Vf)	700mA	90%	0.95	<3%	138 gr	5A 50µS	50 pcs
PSU 36W 700mA Casambi (I)	05LR03MLMD00	220-240V	36W (51Vf)	700mA	90%	0.95	<3%	139 gr	5A 50µS	50 pcs
PSU 50W 700mA Dali / 1-10V & Push (I)	05MM03MLMF00	220-240V	50W (72Vf)	700mA	89%	0.95	<3%	218 gr	20A 400µS	50 pcs

All values are measured at 230V (+/- 7%)

**INCLUDING CONNECTION BOX**

For installation to a central power supply.

