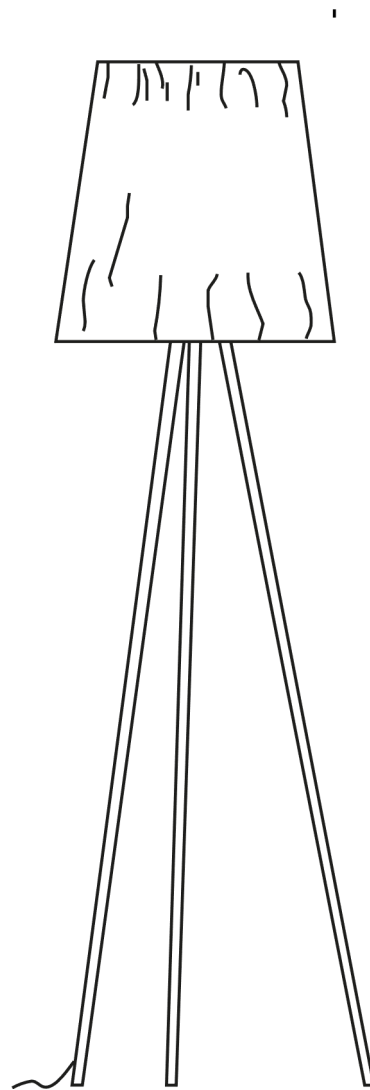


## ROSY ANGELIS

Designed by Philippe Starck, 1994

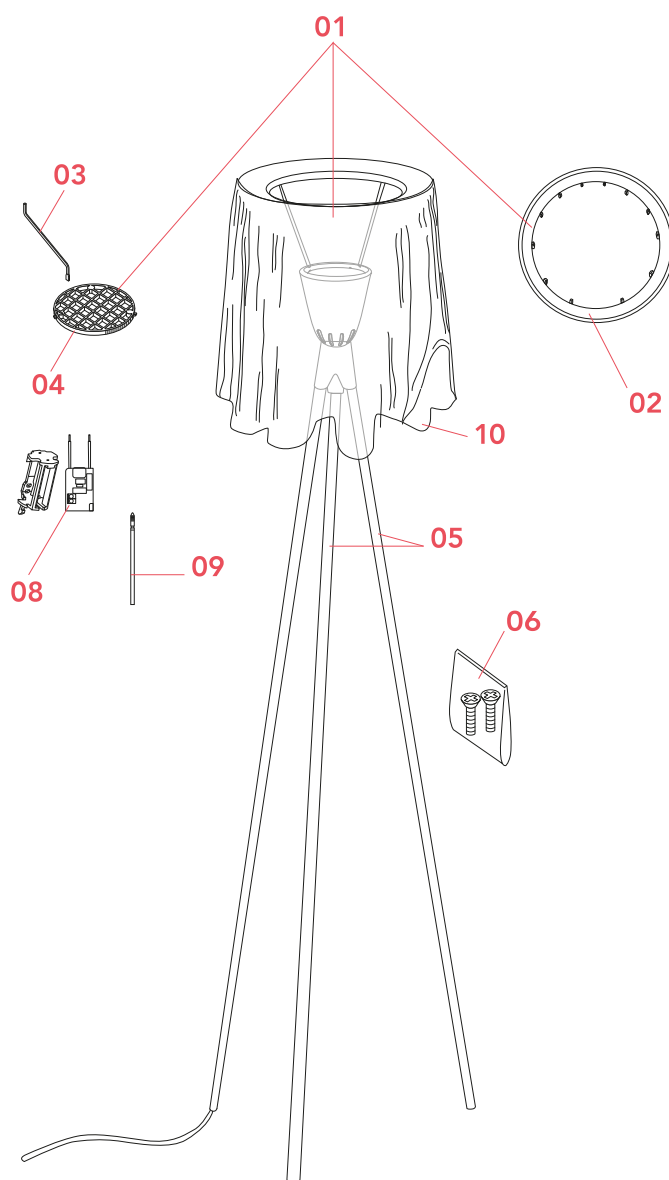
F6160020



## ROSY ANGELIS

F6160020

EN



- 01. F6162009 – Complete diffuser
- 02. RF05257 – Diffuser ring support
- 03. RF02179 – Protection grid support
- 04. RF05251 – Protection grid
- 05. RF02787 – Conical grey led
- 06. RF6160200 – Accessory kit for leg installation
- 07. RF05250 – Cup
- 08. RF04030 – PCB dimmer with small drive shaft
- 09. RF02178 – Anodized aluminium rod for dimmer
- 10. RF06120 – Diffuser

ROSY ANGELIS F6160020

EN

## F6162009

COMPLETE DIFFUSER



WARNING! When installing and whenever acting on the appliance, ensure that the power supply has been switched off. For the installation of the spare-part, it is necessary to consult a qualified electrician.

ROSY ANGELIS F6160020

EN

**F6162009**

COMPLETE DIFFUSER

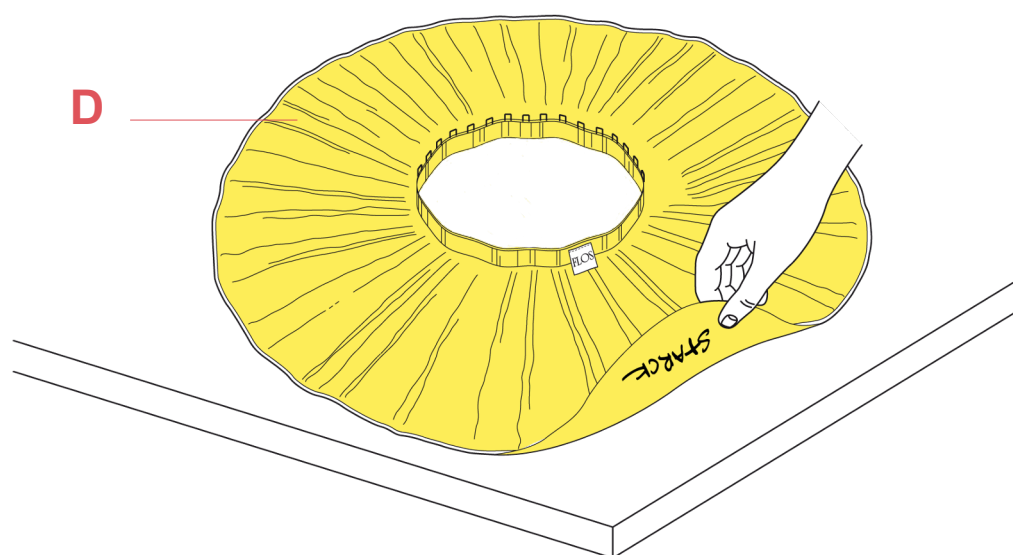


Fig.1

It is recommended to perform the following operation with clean hands.

Lay out the diffuser fabric sheet (D) on a flat surface, ensuring that the stitchings are positioned upwards and the STARCK embroidery is positioned downwards.

WARNING! When installing and whenever acting on the appliance, ensure that the power supply has been switched off. For the installation of the spare-part, it is necessary to consult a qualified electrician.

©2021 Flos - All rights reserved - [www.flos.com](http://www.flos.com)

Flos reserves the right to introduce any changes to its own models, without prior notice.

ROSY ANGELIS F6160020

EN

## F6162009

COMPLETE DIFFUSER

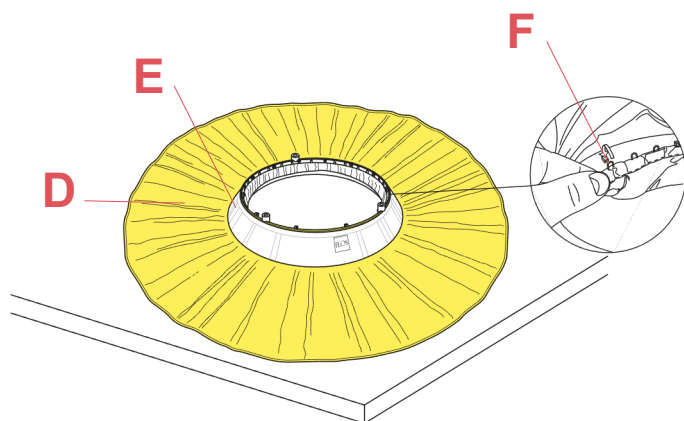


Fig.2

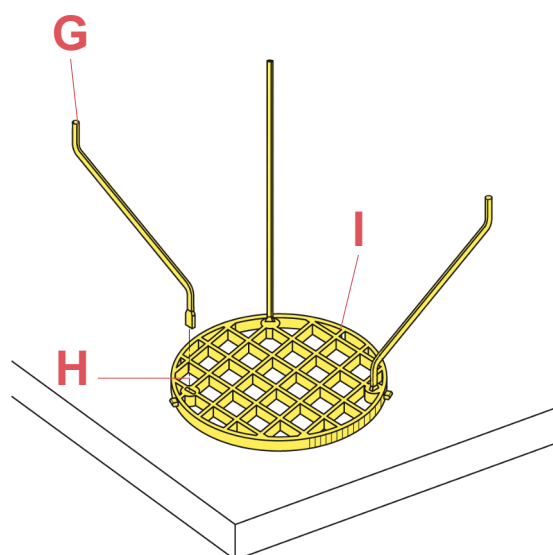


Fig.3

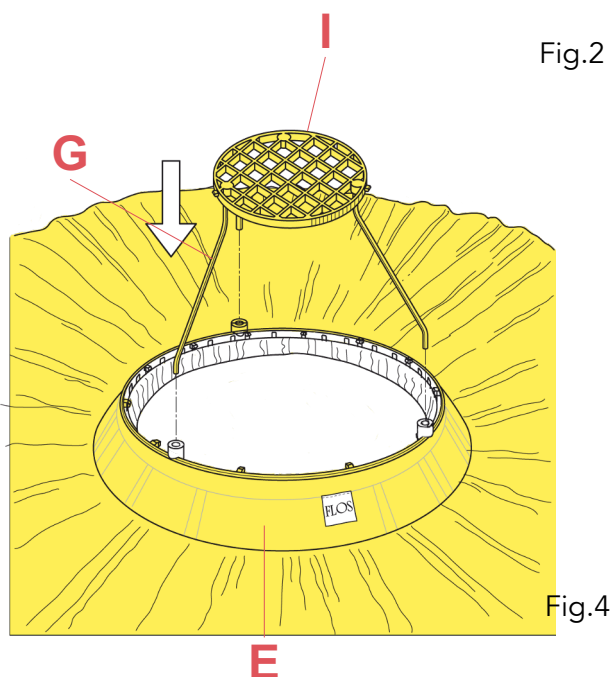


Fig.4

Rest the transparent support ring (E) on the diffuser fabric sheet (D) and then hook the rings (F) utilizing the appropriate clips as in the figure (Fig.2)

Insert the supports (G) in the housings (H) of the protection grid (I), ensuring that they are inserted inside properly. (Fig.3)

Insert the supports (G) and the protection grid (I) in the transparent ring (E). (Fig.4)

**WARNING!** When installing and whenever acting on the appliance, ensure that the power supply has been switched off. For the installation of the spare-part, it is necessary to consult a qualified electrician.

ROSY ANGELIS F6160020

EN

## F6162009

COMPLETE DIFFUSER

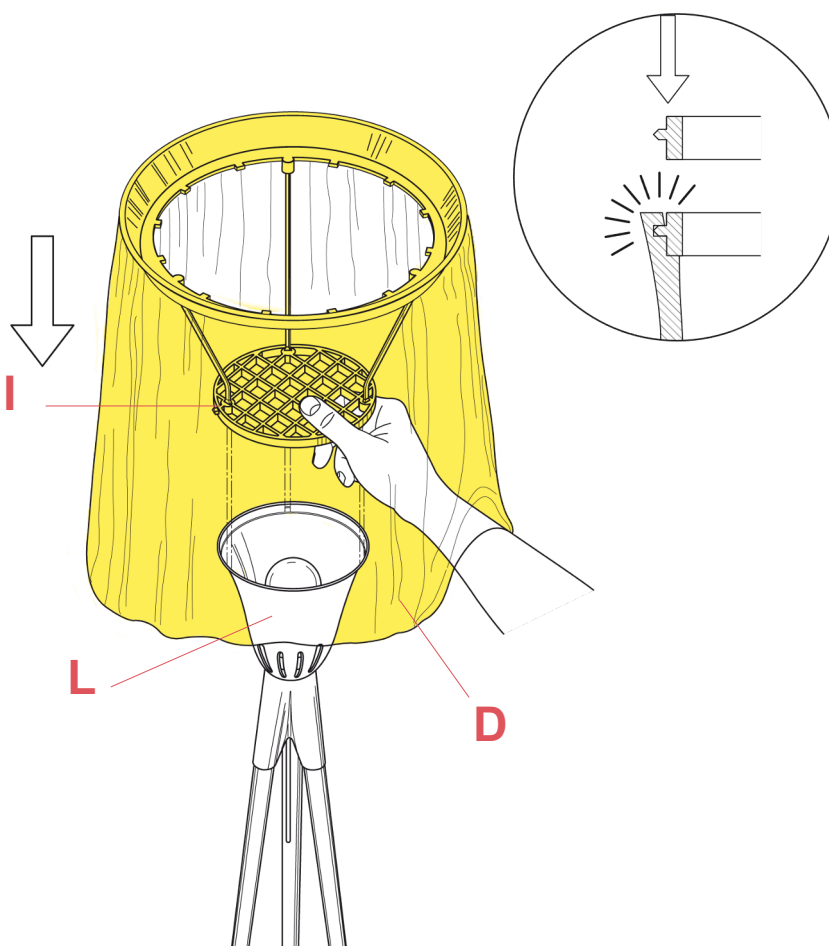


Fig.5

Insert the ring nut (I) and the fabric sheet (D) in the plastic diffuser housings (L) until they click into place as indicated in the figure.

**REMARKS!** For a correct installation, align the three supports with the plastic internal diffuser.

WARNING! When installing and whenever acting on the appliance, ensure that the power supply has been switched off. For the installation of the spare-part, it is necessary to consult a qualified electrician.

ROSY ANGELIS F6160020

EN

## RF05257

DIFFUSER RING NUT



WARNING! When installing and whenever acting on the appliance, ensure that the power supply has been switched off.  
For the installation of the spare-part, it is necessary to consult a qualified electrician.

©2021 Flos - All rights reserved - [www.flos.com](http://www.flos.com)  
Flos reserves the right to introduce any changes to its own models, without prior notice.

ROSY ANGELIS F6160020

EN

**RF05257**

DIFFUSER RING NUT

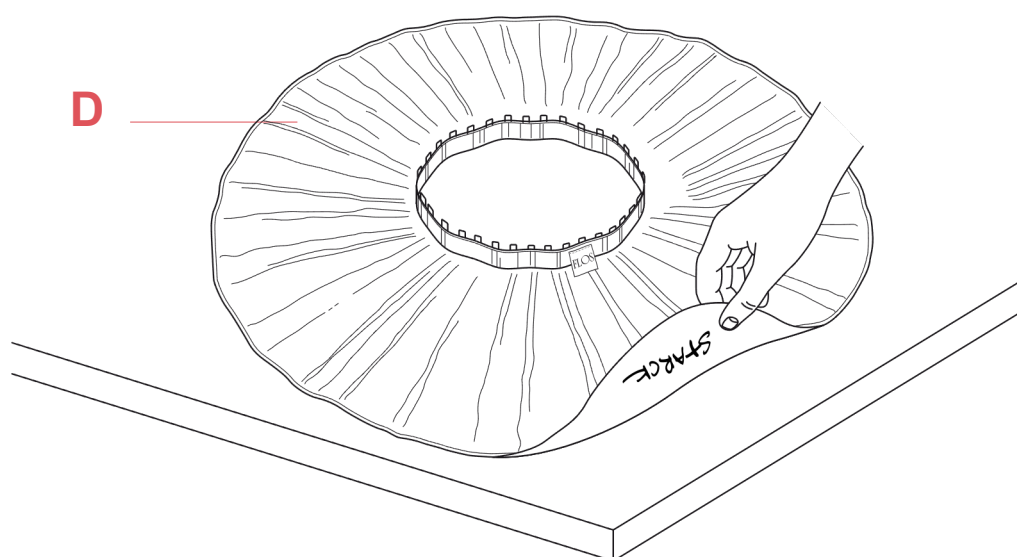


Fig.1

It is recommended to perform the following operation with clean hands.

Lay out the diffuser fabric sheet (D) on a flat surface, ensuring that the stitchings are positioned upwards and the STARCK embroidery is positioned downwards.

WARNING! When installing and whenever acting on the appliance, ensure that the power supply has been switched off. For the installation of the spare-part, it is necessary to consult a qualified electrician.



## RF05257

DIFFUSER RING NUT

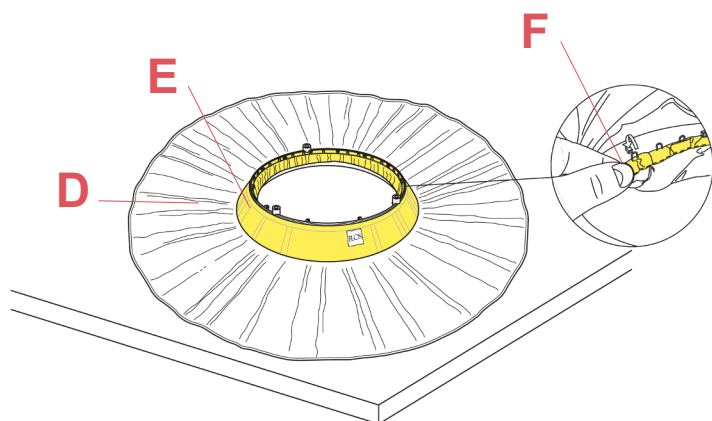


Fig.2

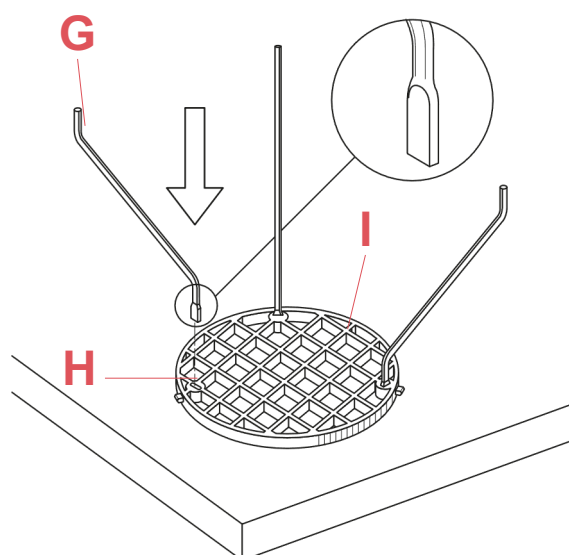


Fig.3

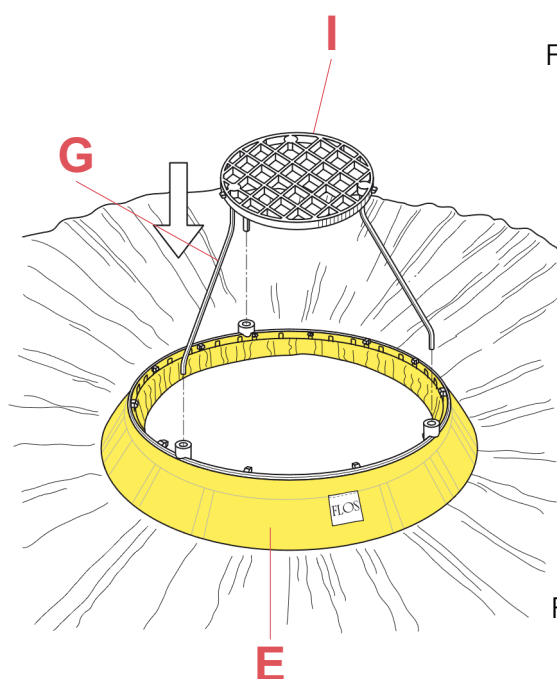


Fig.4

Rest the transparent support ring (E) on the diffuser fabric sheet (D) and then hook the rings (F) utilizing the appropriate clips as in the figure (Fig.2)

Insert the supports (G) in the housings (H) of the protection grid (I), ensuring that they are inserted inside properly. (Fig.3)

Insert the supports (G) and the protection grid (I) in the transparent ring (E). (Fig.4)

**WARNING!** When installing and whenever acting on the appliance, ensure that the power supply has been switched off. For the installation of the spare-part, it is necessary to consult a qualified electrician.

ROSY ANGELIS F6160020

EN

**RF05257**

DIFFUSER RING NUT

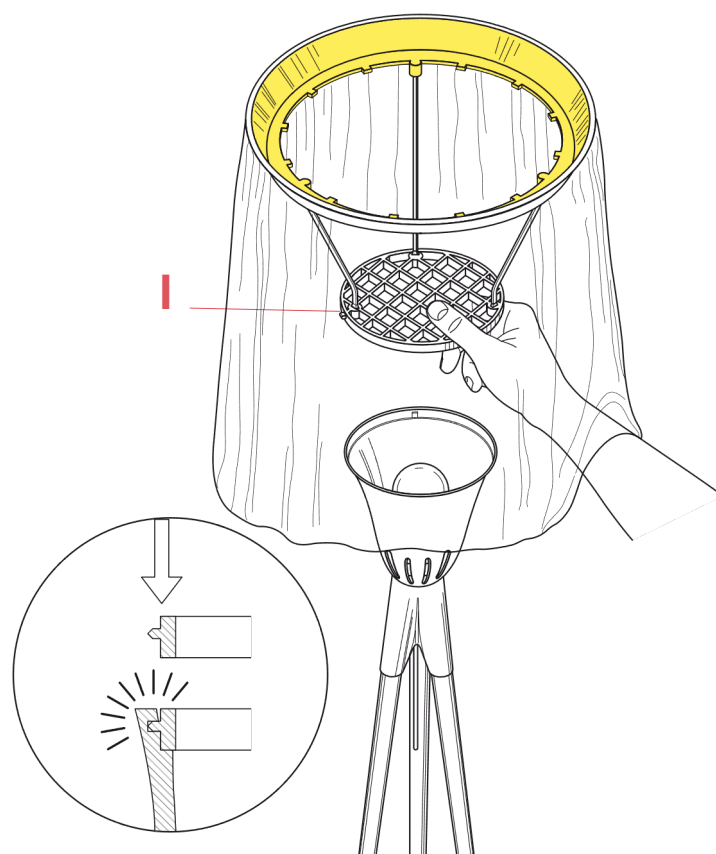


Fig.5

Insert the ring nut (I) and the fabric sheet (D) in the plastic diffuser housings (L) until they click into place as indicated in the figure.

**REMARKS!** For a correct installation, align the three supports with the plastic internal diffuser.

WARNING! When installing and whenever acting on the appliance, ensure that the power supply has been switched off.  
For the installation of the spare-part, it is necessary to consult a qualified electrician.

ROSY ANGELIS F6160020

EN

## RF02179

PROTECTION GRID SUPPORT



WARNING! When installing and whenever acting on the appliance, ensure that the power supply has been switched off.  
For the installation of the spare-part, it is necessary to consult a qualified electrician.

©2021 Flos - All rights reserved - [www.flos.com](http://www.flos.com)  
Flos reserves the right to introduce any changes to its own models, without prior notice.

ROSY ANGELIS F6160020

EN

**RF02179**

PROTECTION GRID SUPPORT

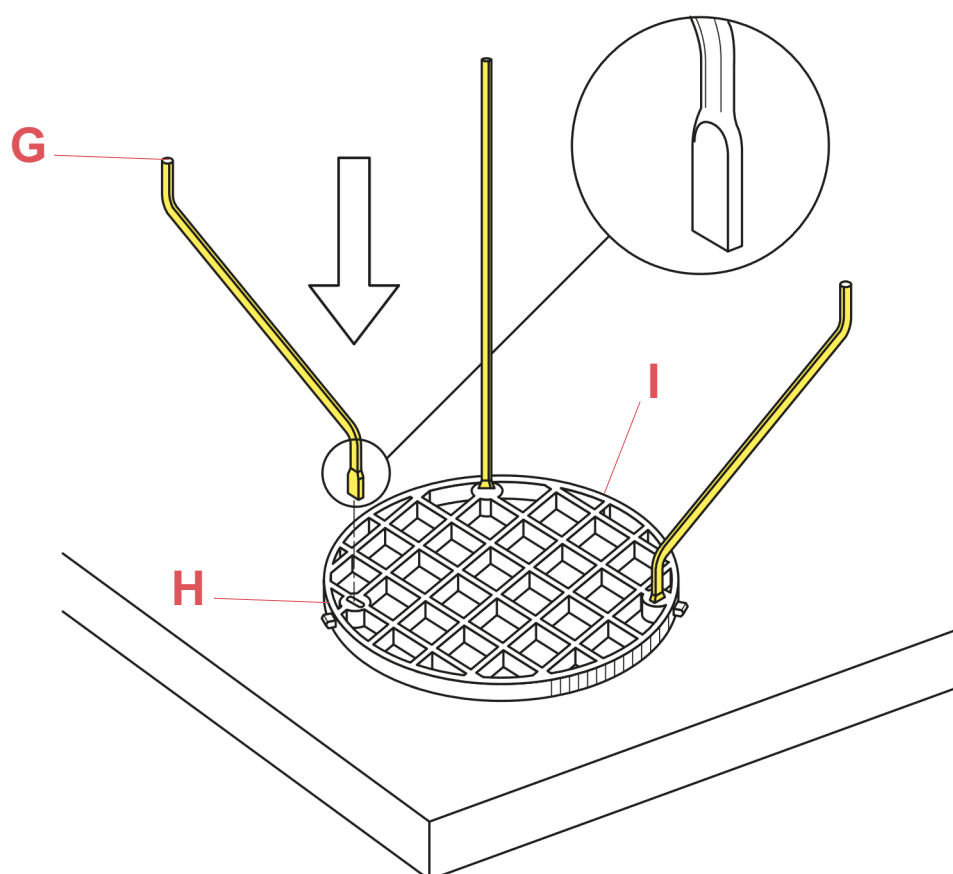


Fig.1

Insert the supports (G) in the housings (H) of the protection grid (I), ensuring that they are inserted inside properly.

WARNING! When installing and whenever acting on the appliance, ensure that the power supply has been switched off.  
For the installation of the spare-part, it is necessary to consult a qualified electrician.

ROSY ANGELIS F6160020

EN

**RF02179**

PROTECTION GRID SUPPORT

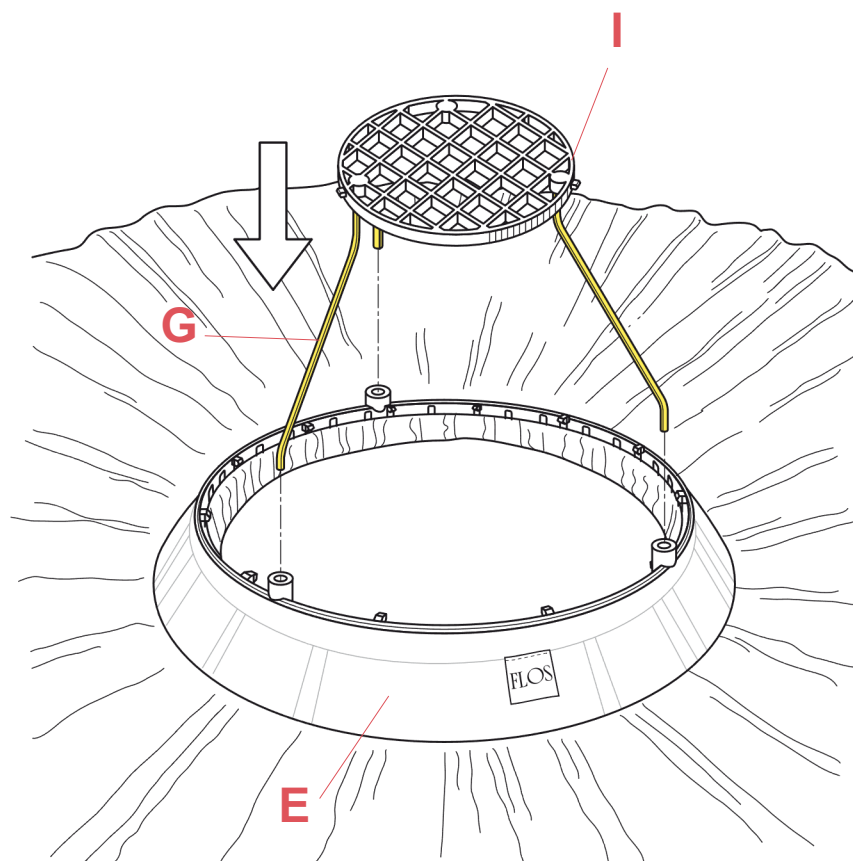


Fig.2

Insert the supports (G) and the protection grid (I) in the transparent ring (E).

WARNING! When installing and whenever acting on the appliance, ensure that the power supply has been switched off. For the installation of the spare-part, it is necessary to consult a qualified electrician.

ROSY ANGELIS F6160020

EN

## RF02179

PROTECTION GRID SUPPORT

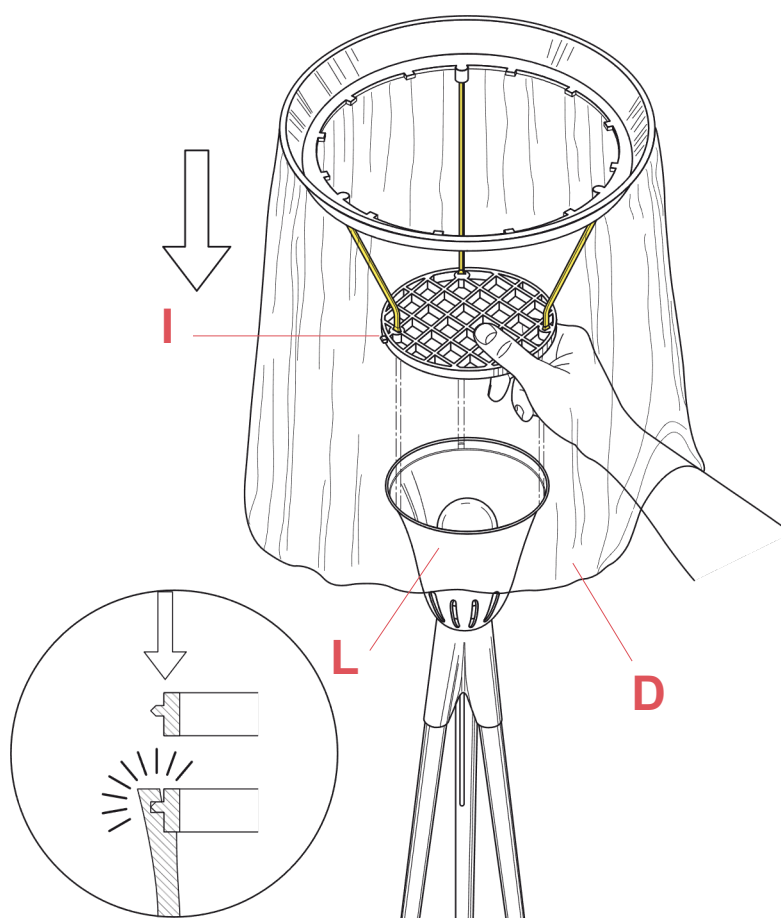


Fig.3

Insert the ring nut (I) and the fabric sheet (D) in the plastic diffuser housings (L) until they click into place as indicated in the figure on the left hand side.

REMARKS! For a correct installation, align the three supports with the plastic diffuser.

WARNING! When installing and whenever acting on the appliance, ensure that the power supply has been switched off. For the installation of the spare-part, it is necessary to consult a qualified electrician.

ROSY ANGELIS F6160020

EN

## RF05251

PROTECTION GRID



WARNING! When installing and whenever acting on the appliance, ensure that the power supply has been switched off.  
For the installation of the spare-part, it is necessary to consult a qualified electrician.

©2021 Flos - All rights reserved - [www.flos.com](http://www.flos.com)  
Flos reserves the right to introduce any changes to its own models, without prior notice.

ROSY ANGELIS F6160020

EN

**RF05251**

PROTECTION GRID

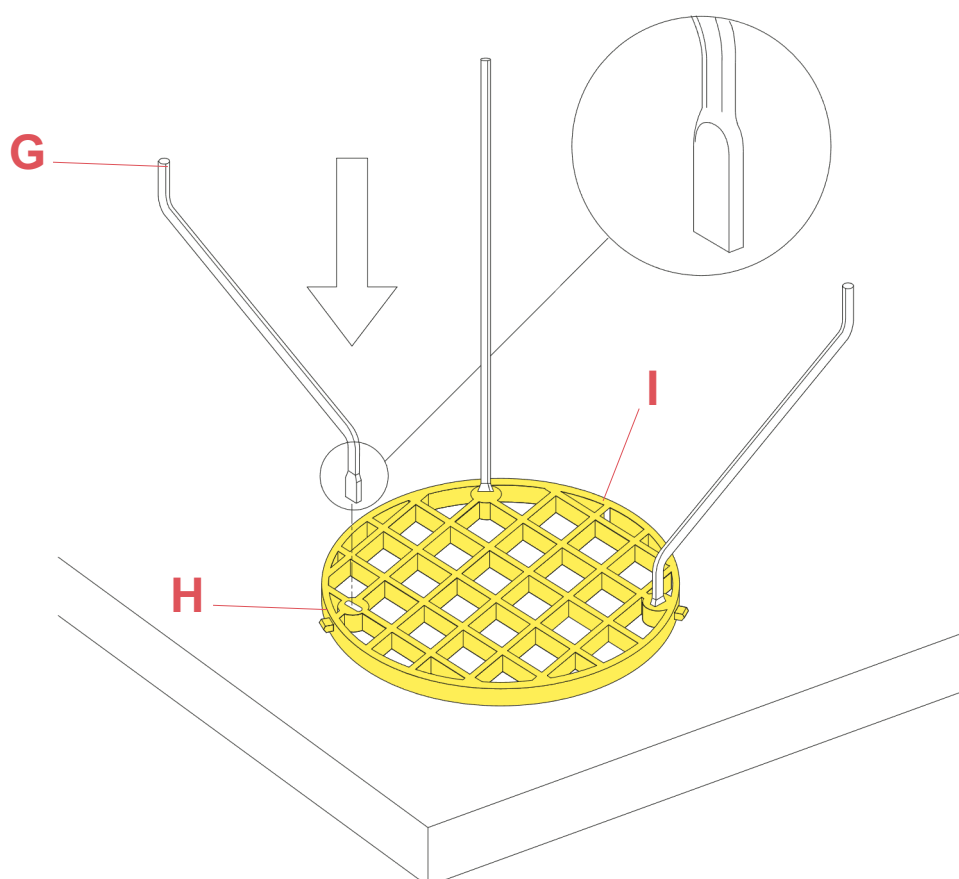


Fig.1

Insert the supports (G) in the housings (H) of the protection grid (I), ensuring that they are inserted inside properly.

WARNING! When installing and whenever acting on the appliance, ensure that the power supply has been switched off. For the installation of the spare-part, it is necessary to consult a qualified electrician.



ROSY ANGELIS F6160020

EN

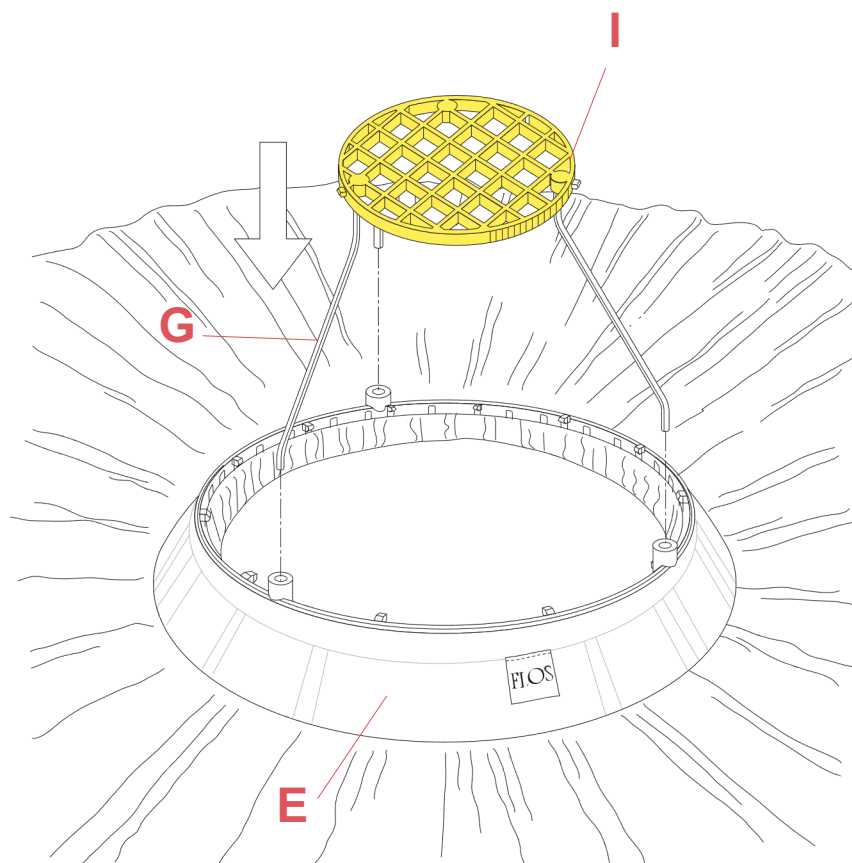
**RF05251**  
PROTECTION GRID

Fig.2

Insert the supports (G) and the protection grid (I) in the transparent ring (E).

WARNING! When installing and whenever acting on the appliance, ensure that the power supply has been switched off. For the installation of the spare-part, it is necessary to consult a qualified electrician.

ROSY ANGELIS F6160020

EN

## RF05251

PROTECTION GRID

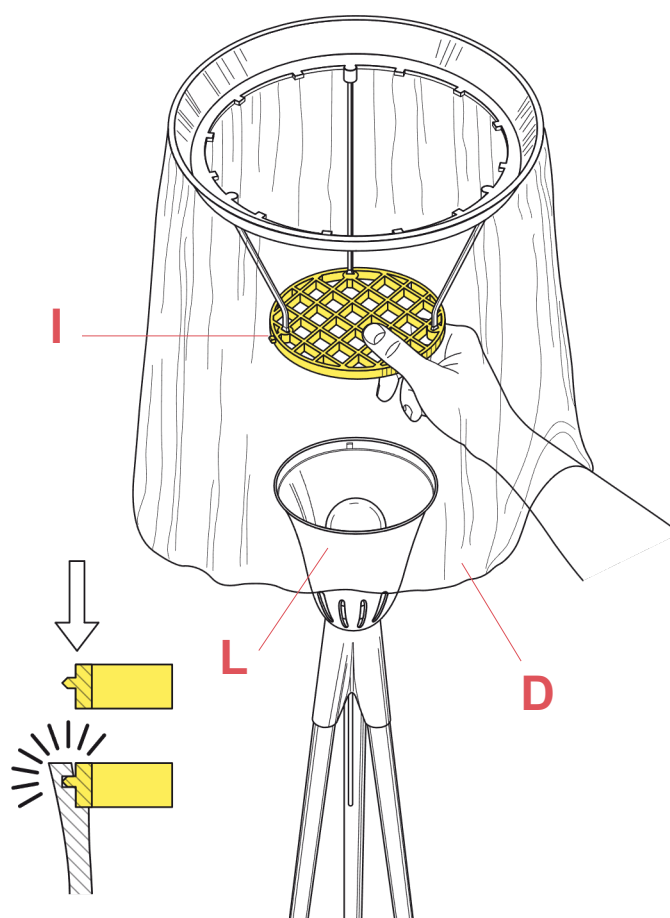


Fig.3

Insert the ring nut (I) and the fabric sheet (D) in the plastic diffuser housings (L) until they click into place as indicated in the figure on the left hand side.

**REMARKS!** For a correct installation, align the three supports with the plastic diffuser.

WARNING! When installing and whenever acting on the appliance, ensure that the power supply has been switched off. For the installation of the spare-part, it is necessary to consult a qualified electrician.

ROSY ANGELIS F6160020

EN

**RF02787**

CONICAL GREY LEG



**REMARKS!!!** We advise to supply with the leg, also the accessory kit (code RF6160200).

WARNING! When installing and whenever acting on the appliance, ensure that the power supply has been switched off.  
For the installation of the spare-part, it is necessary to consult a qualified electrician.

©2021 Flos - All rights reserved - [www.flos.com](http://www.flos.com)

Flos reserves the right to introduce any changes to its own models, without prior notice.

ROSY ANGELIS F6160020

EN

**RF02787**

CONICAL GREY LEG

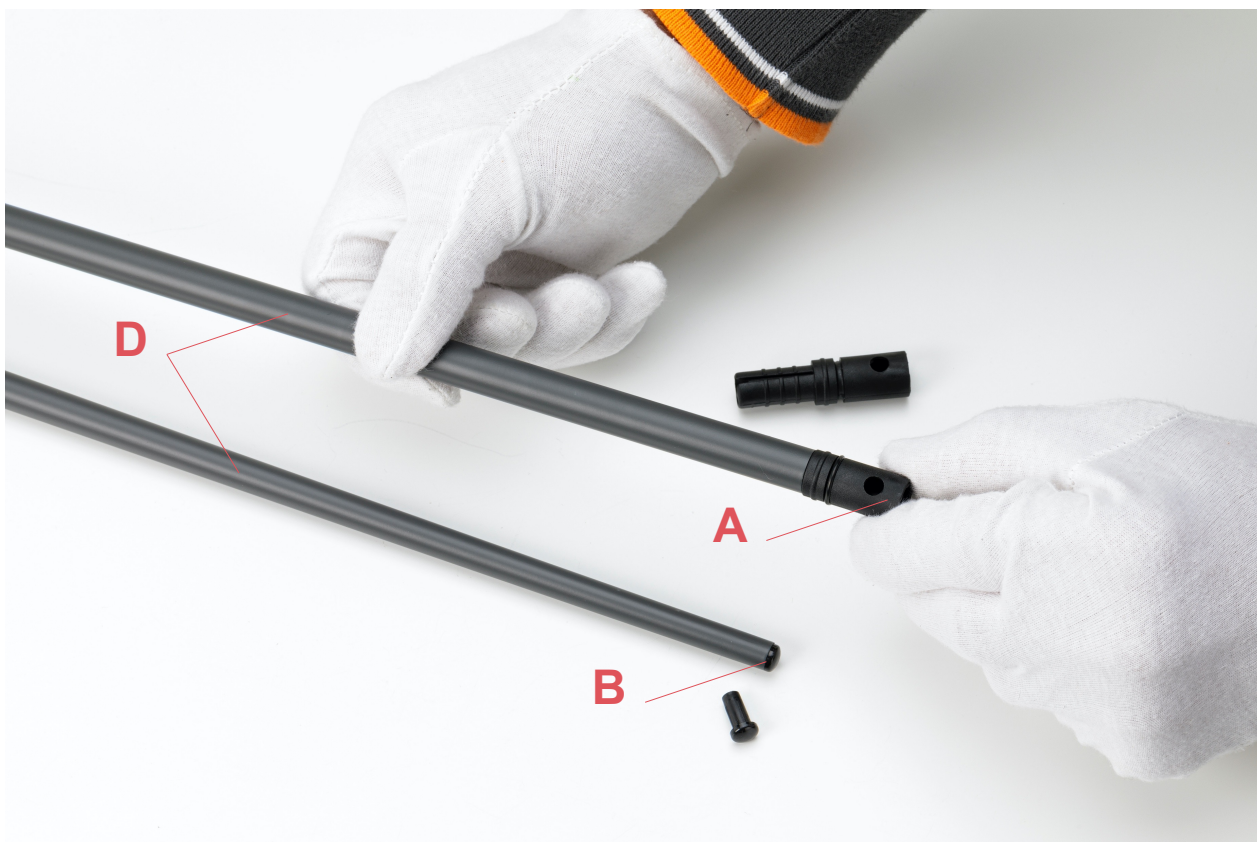


Fig.1

Introduce the reduction leg adapters (A) and insert the feet (B) on the lamp legs (C).

WARNING! When installing and whenever acting on the appliance, ensure that the power supply has been switched off.  
For the installation of the spare-part, it is necessary to consult a qualified electrician.

©2021 Flos - All rights reserved - [www.flos.com](http://www.flos.com)  
Flos reserves the right to introduce any changes to its own models, without prior notice.

ROSY ANGELIS F6160020

EN

**RF02787**

CONICAL GREY LEG

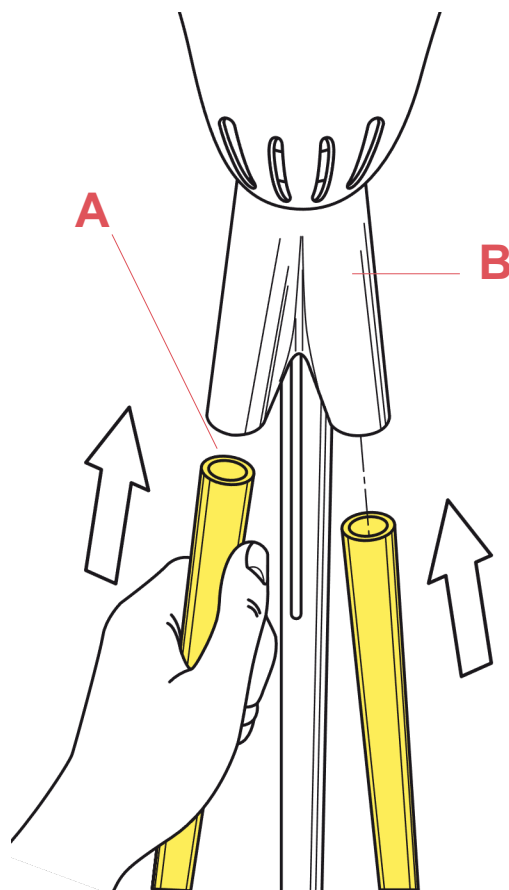


Fig.2

Insert the legs (A) in the body lamp (B).

WARNING! When installing and whenever acting on the appliance, ensure that the power supply has been switched off.  
For the installation of the spare-part, it is necessary to consult a qualified electrician.

©2021 Flos - All rights reserved - [www.flos.com](http://www.flos.com)  
Flos reserves the right to introduce any changes to its own models, without prior notice.

ROSY ANGELIS F6160020

EN

**RF6160200**

ACCESSORY KIT FOR LEG INSTALLATION



Open the dimmer box of the damaged dimmer;  
To open the box, it is necessary to Insert (one at a time) a tiny flat screw driver (G) inside the openings (F) and physically lever and force the dimmer box housing to open;

WARNING! When installing and whenever acting on the appliance, ensure that the power supply has been switched off.  
For the installation of the spare-part, it is necessary to consult a qualified electrician.

©2021 Flos - All rights reserved - [www.flos.com](http://www.flos.com)  
Flos reserves the right to introduce any changes to its own models, without prior notice.

ROSY ANGELIS F6160020

EN

**RF6160200**

ACCESSORY KIT FOR LEG INSTALLATION



Fig.1

Introduce the reduction leg adapters (A) and insert the feet (B) on the lamp legs (C).

WARNING! When installing and whenever acting on the appliance, ensure that the power supply has been switched off.  
For the installation of the spare-part, it is necessary to consult a qualified electrician.

©2021 Flos - All rights reserved - [www.flos.com](http://www.flos.com)  
Flos reserves the right to introduce any changes to its own models, without prior notice.

ROSY ANGELIS F6160020

EN

**RF6160200**

ACCESSORY KIT FOR LEG INSTALLATION

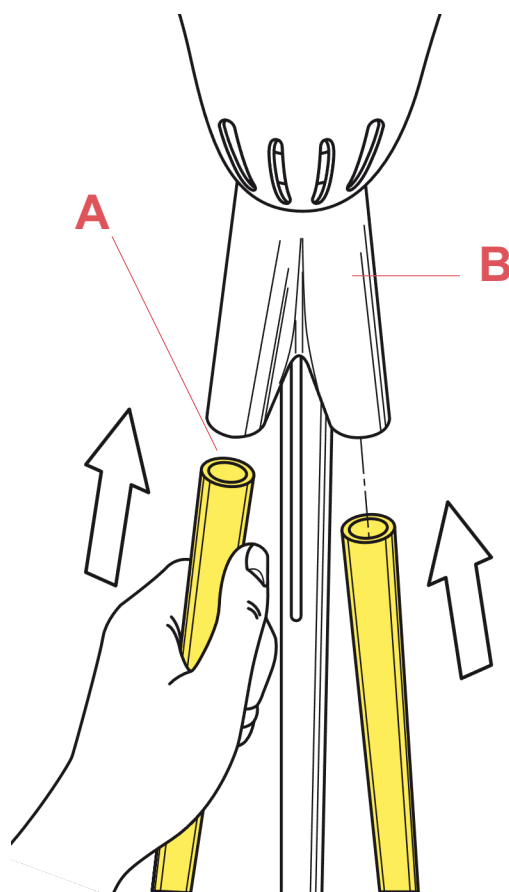


Fig.2

Insert the legs (A) in the body lamp (B).

WARNING! When installing and whenever acting on the appliance, ensure that the power supply has been switched off. For the installation of the spare-part, it is necessary to consult a qualified electrician.



ROSY ANGELIS F6160020

EN

## RF05250

CUP



WARNING! When installing and whenever acting on the appliance, ensure that the power supply has been switched off.  
For the installation of the spare-part, it is necessary to consult a qualified electrician.

©2021 Flos - All rights reserved - [www.flos.com](http://www.flos.com)  
Flos reserves the right to introduce any changes to its own models, without prior notice.

ROSY ANGELIS F6160020

EN

**RF05250**

CUP

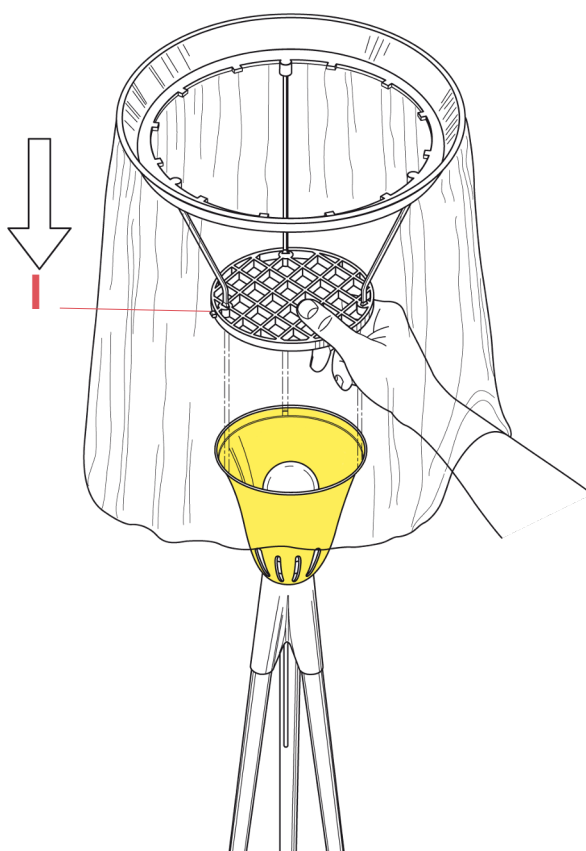


Fig.1

Remove the fabric diffuser and grid (I) from the lamp cup.

WARNING! When installing and whenever acting on the appliance, ensure that the power supply has been switched off.  
For the installation of the spare-part, it is necessary to consult a qualified electrician.

©2021 Flos - All rights reserved - [www.flos.com](http://www.flos.com)  
Flos reserves the right to introduce any changes to its own models, without prior notice.

ROSY ANGELIS F6160020

EN

**RF05250**

CUP

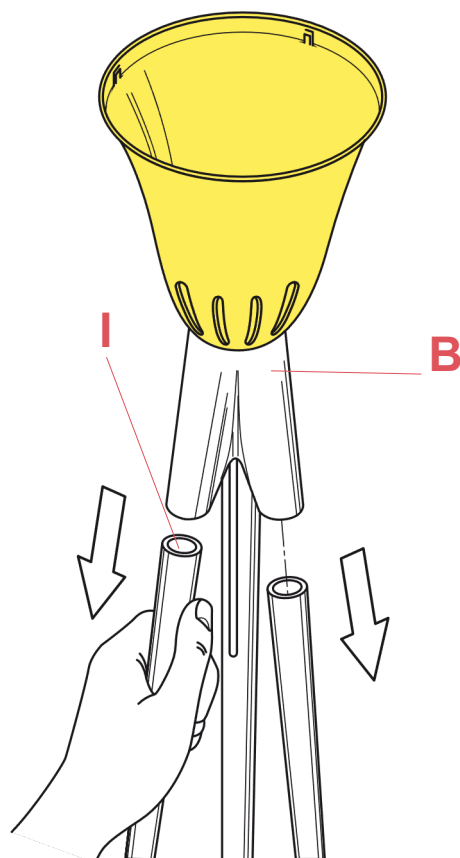


Fig.2

Detach the 2 lamp legs (A) from the lamp body (B).

WARNING! When installing and whenever acting on the appliance, ensure that the power supply has been switched off.  
For the installation of the spare-part, it is necessary to consult a qualified electrician.

©2021 Flos - All rights reserved - [www.flos.com](http://www.flos.com)  
Flos reserves the right to introduce any changes to its own models, without prior notice.

## RF05250

CUP

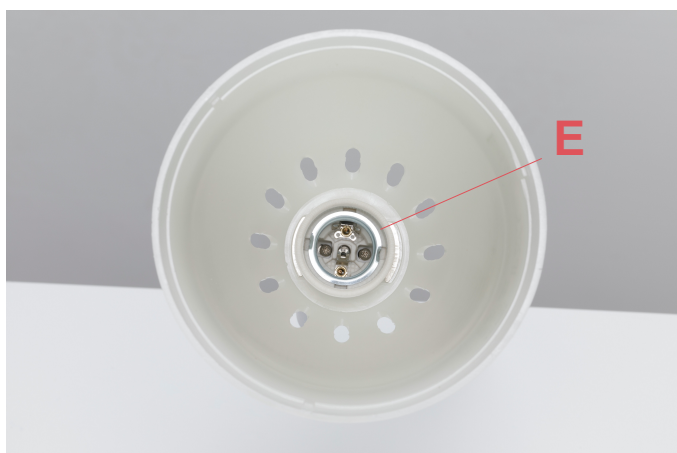


Fig.3

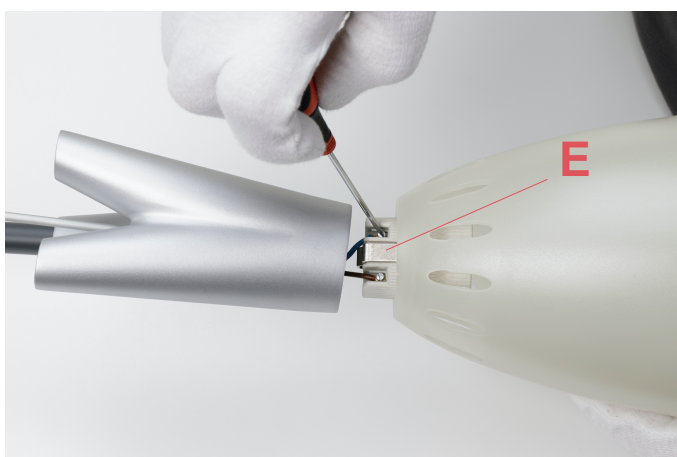


Fig.4

Unfasten the 2 screws (D) inside the lamp holder.  
Disconnect the wires Blue (N) and Brown (L) from the lamp holder terminals (E) and remove the lamp holder through the lateral hooks from the damaged lamp cup.

WARNING! When installing and whenever acting on the appliance, ensure that the power supply has been switched off.  
For the installation of the spare-part, it is necessary to consult a qualified electrician.

ROSY ANGELIS F6160020

EN

**RF05250**

CUP



Fig.5

Assemble now the new spare-part:

Install the lamp holder (F) to the new lamp cup (G).

Connect the wires Blue and Brown to the lamp holder terminals (E) by respecting the polarities. (Fig.4 page 28)

Assemble back the lamp holder and cup to the lamp body by fastening the 2 screws (D).

WARNING! When installing and whenever acting on the appliance, ensure that the power supply has been switched off.  
For the installation of the spare-part, it is necessary to consult a qualified electrician.

©2021 Flos - All rights reserved - [www.flos.com](http://www.flos.com)  
Flos reserves the right to introduce any changes to its own models, without prior notice.

ROSY ANGELIS F6160020

EN

**RF05250**

CUP

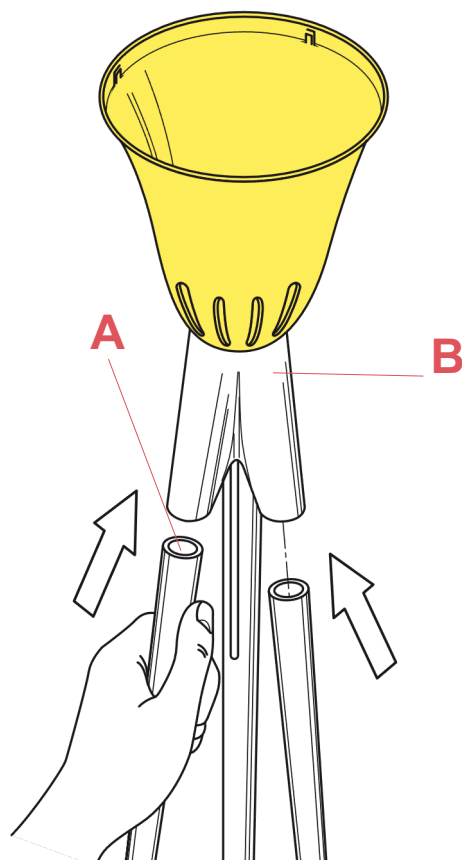


Fig.6

Insert the legs (A) in the body lamp (B).

WARNING! When installing and whenever acting on the appliance, ensure that the power supply has been switched off.  
For the installation of the spare-part, it is necessary to consult a qualified electrician.

ROSY ANGELIS F6160020

EN

## RF05250

CUP

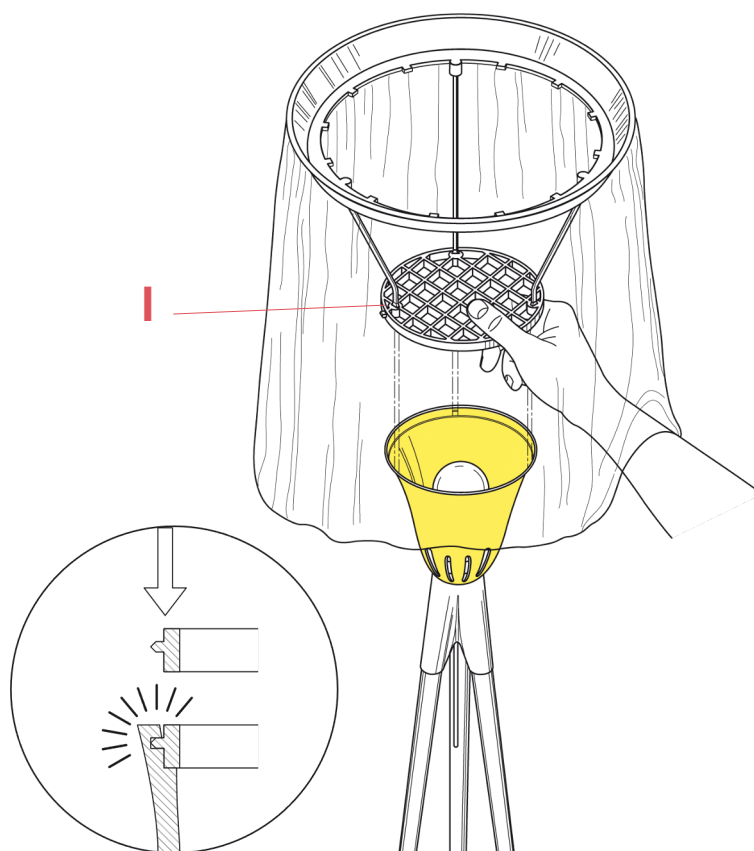


Fig.7

Insert the ring nut (I) and the fabric sheet (D) in the plastic diffuser housings (L) until they click into place as indicated in the figure.

**REMARKS!** For a correct installation, align the three supports with the plastic internal diffuser.

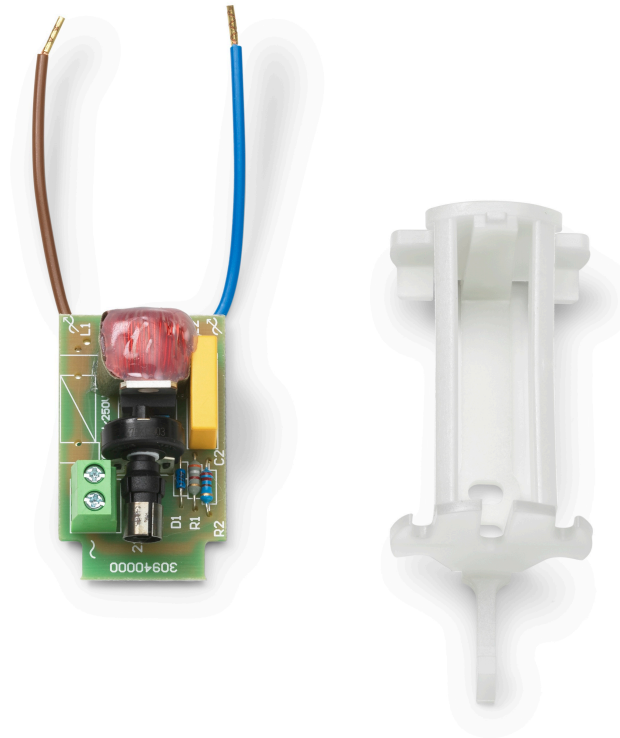
WARNING! When installing and whenever acting on the appliance, ensure that the power supply has been switched off. For the installation of the spare-part, it is necessary to consult a qualified electrician.

ROSY ANGELIS F6160020

EN

**RF04030**

PCB DIMMER WITH SMALL DRIVE SHAFT



WARNING! When installing and whenever acting on the appliance, ensure that the power supply has been switched off.  
For the installation of the spare-part, it is necessary to consult a qualified electrician.



ROSY ANGELIS F6160020

EN

**RF04030**

PCB DIMMER WITH SMALL DRIVE SHAFT

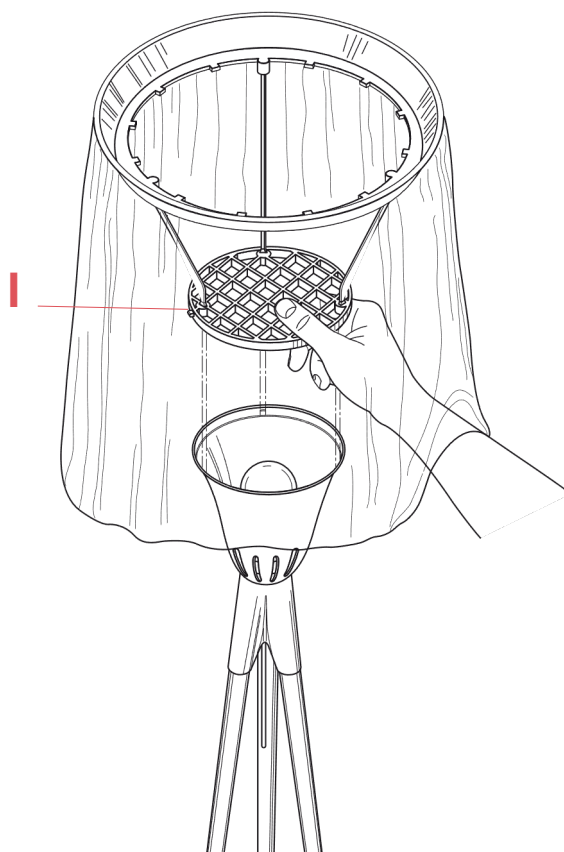


Fig.1

Remove the fabric diffuser and grid (I) from the lamp cup.

WARNING! When installing and whenever acting on the appliance, ensure that the power supply has been switched off.  
For the installation of the spare-part, it is necessary to consult a qualified electrician.

©2021 Flos - All rights reserved - [www.flos.com](http://www.flos.com)  
Flos reserves the right to introduce any changes to its own models, without prior notice.

ROSY ANGELIS F6160020

EN

**RF04030**

PCB DIMMER WITH SMALL DRIVE SHAFT

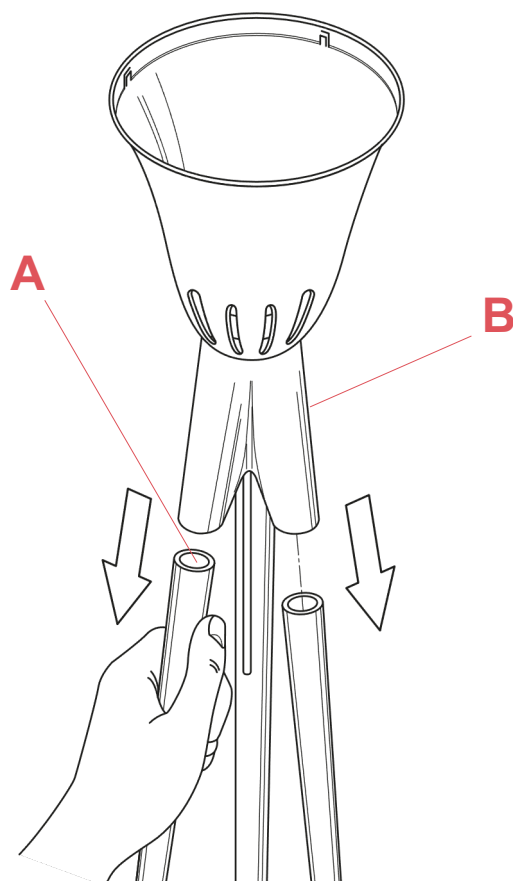


Fig.2

Detach the 2 lamp legs (A) from the lamp body (B).

WARNING! When installing and whenever acting on the appliance, ensure that the power supply has been switched off.  
For the installation of the spare-part, it is necessary to consult a qualified electrician.

©2021 Flos - All rights reserved - [www.flos.com](http://www.flos.com)  
Flos reserves the right to introduce any changes to its own models, without prior notice.

ROSY ANGELIS F6160020

EN

**RF04030**

PCB DIMMER WITH SMALL DRIVE SHAFT



Fig.3

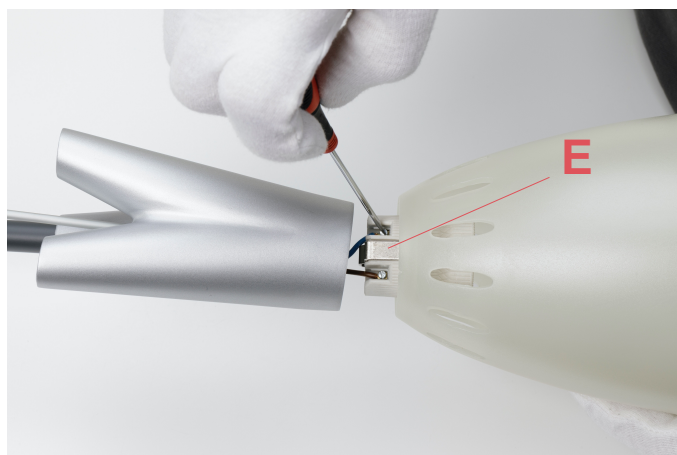


Fig.4

Unfasten the 2 screws (D) inside the lamp holder.  
Disconnect the wires Blue (N) and Brown (L) from the lamp holder terminals (E) and remove the lamp holder through the lateral hooks from the lamp cup.

WARNING! When installing and whenever acting on the appliance, ensure that the power supply has been switched off.  
For the installation of the spare-part, it is necessary to consult a qualified electrician.

©2021 Flos - All rights reserved - [www.flos.com](http://www.flos.com)  
Flos reserves the right to introduce any changes to its own models, without prior notice.

ROSY ANGELIS F6160020

EN

**RF04030**

PCB DIMMER WITH SMALL DRIVE SHAFT

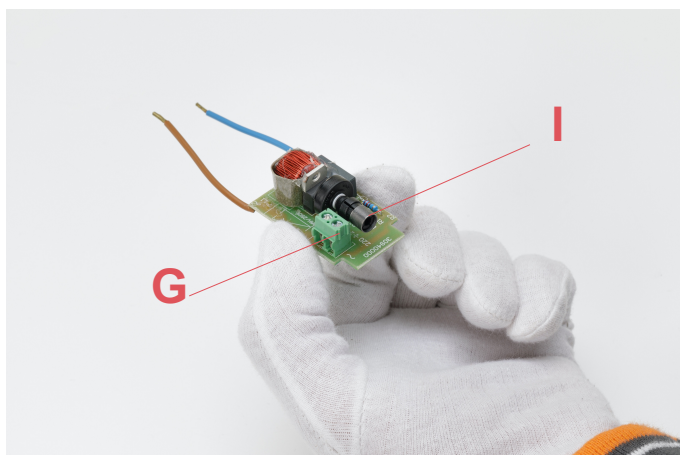


Fig.5



Fig.6

Pull-out the dimmer rod from the small drive shaft (I).  
Disconnect the electrical wires from the green terminal (G) and remove the PCB dimmer from the lamp body.

Assemble now the new spare-part:

Insert inside the lamp body the dimmer.  
Insert the rod inside the small drive shaft (I).  
Connect the electrical wires to the green terminals (G).

Install the lamp holder (J) to the new lamp cup (K).

WARNING! When installing and whenever acting on the appliance, ensure that the power supply has been switched off.  
For the installation of the spare-part, it is necessary to consult a qualified electrician.

ROSY ANGELIS F6160020

EN

**RF04030**

PCB DIMMER WITH SMALL DRIVE SHAFT

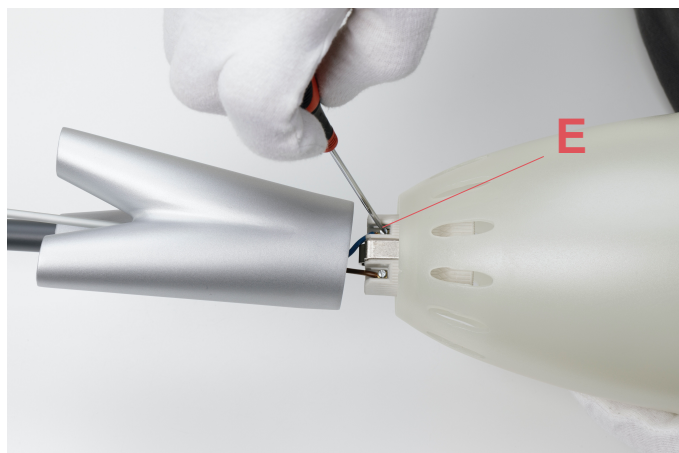


Fig.7



Fig.8

Connect the dimmer wires (Blue and Brown) to the lamp holder terminals (E) by respecting the polarities.

Assemble back the lamp holder and cup to the lamp body by fastening the 2 screws.

WARNING! When installing and whenever acting on the appliance, ensure that the power supply has been switched off.  
For the installation of the spare-part, it is necessary to consult a qualified electrician.

ROSY ANGELIS F6160020

EN

## RF04030

PCB DIMMER WITH SMALL DRIVE SHAFT

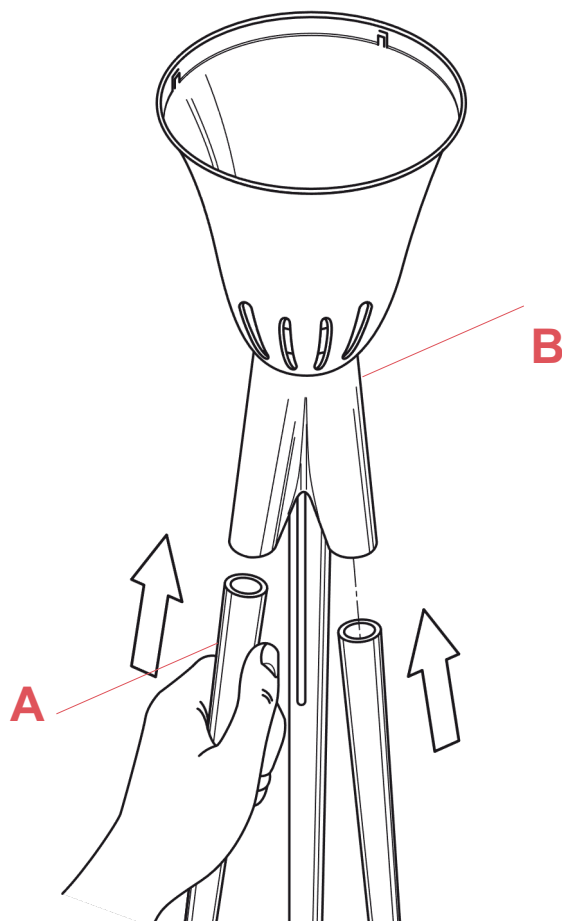


Fig.9

Insert the legs (A) in the body lamp (B).

WARNING! When installing and whenever acting on the appliance, ensure that the power supply has been switched off. For the installation of the spare-part, it is necessary to consult a qualified electrician.

©2021 Flos - All rights reserved - [www.flos.com](http://www.flos.com)  
Flos reserves the right to introduce any changes to its own models, without prior notice.

ROSY ANGELIS F6160020

EN

## RF04030

PCB DIMMER WITH SMALL DRIVE SHAFT

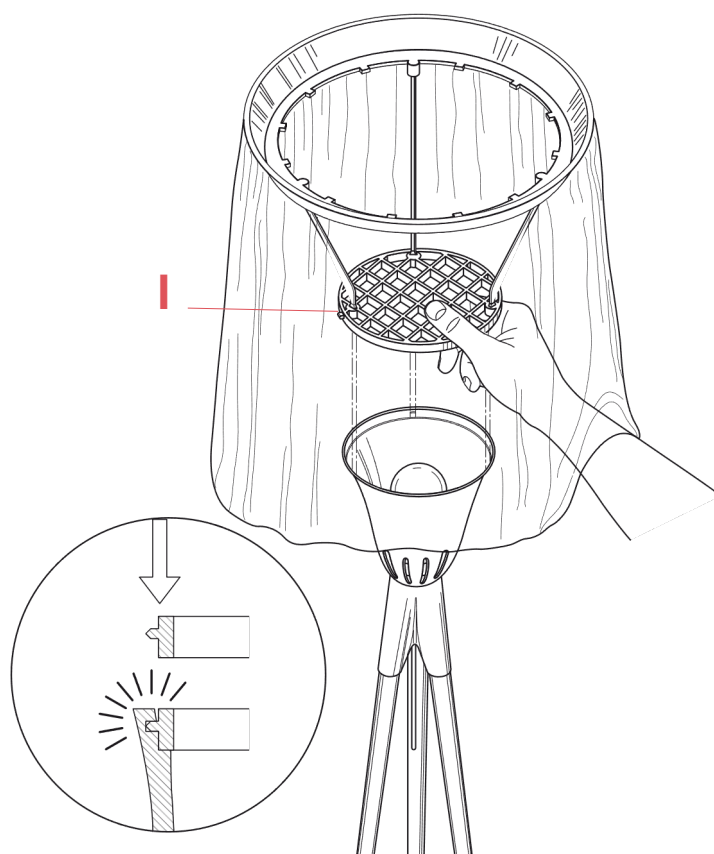


Fig.10

Insert the ring nut (I) and the fabric sheet (D) in the plastic diffuser housings (L) until they click into place as indicated in the figure.

**REMARKS!** For a correct installation, align the three supports with the plastic internal diffuser.

WARNING! When installing and whenever acting on the appliance, ensure that the power supply has been switched off.  
For the installation of the spare-part, it is necessary to consult a qualified electrician.

ROSY ANGELIS F6160020

EN

## RF02178

ANODIZED ALUMINIUM ROD FOR DIMMER



WARNING! When installing and whenever acting on the appliance, ensure that the power supply has been switched off.  
For the installation of the spare-part, it is necessary to consult a qualified electrician.

©2021 Flos - All rights reserved - [www.flos.com](http://www.flos.com)  
Flos reserves the right to introduce any changes to its own models, without prior notice.



ROSY ANGELIS F6160020

EN

**RF02178**

ANODIZED ALUMINIUM ROD FOR DIMMER

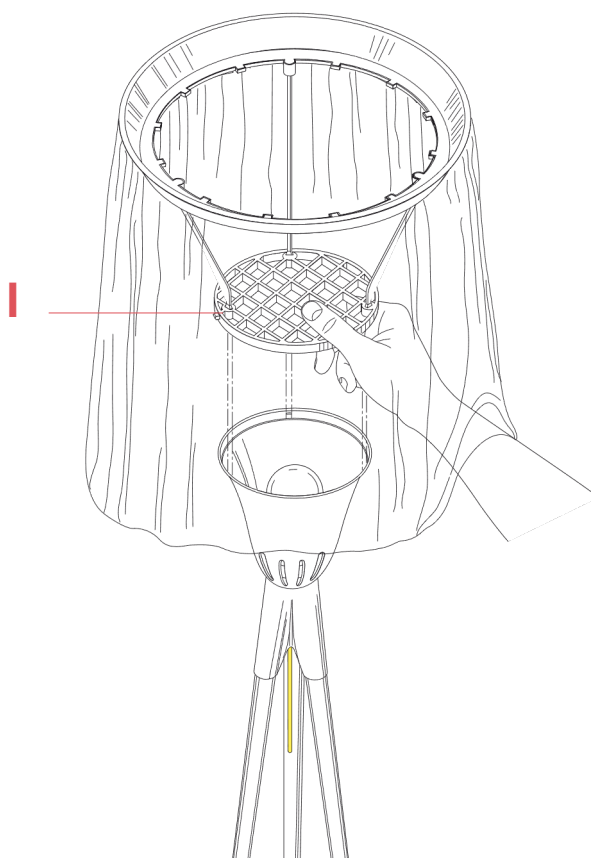


Fig.1

Remove the fabric diffuser and grid (I) from the lamp cup.

WARNING! When installing and whenever acting on the appliance, ensure that the power supply has been switched off.  
For the installation of the spare-part, it is necessary to consult a qualified electrician.

©2021 Flos - All rights reserved - [www.flos.com](http://www.flos.com)  
Flos reserves the right to introduce any changes to its own models, without prior notice.

ROSY ANGELIS F6160020

EN

**RF02178**

ANODIZED ALUMINIUM ROD FOR DIMMER

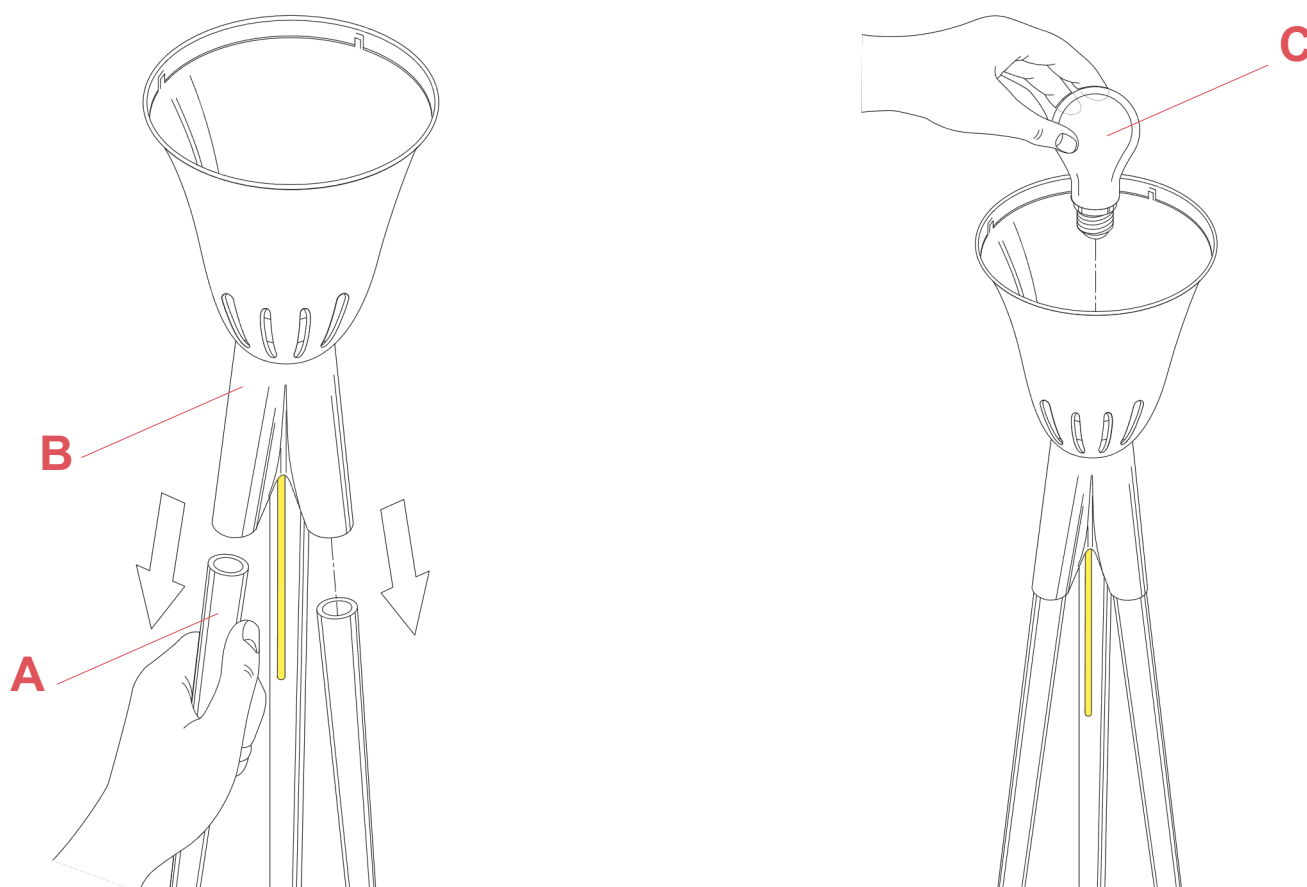


Fig.2

Detach the 2 lamp legs (A) from the lamp body (B).  
Remove the bulb (C).

WARNING! When installing and whenever acting on the appliance, ensure that the power supply has been switched off.  
For the installation of the spare-part, it is necessary to consult a qualified electrician.

©2021 Flos - All rights reserved - [www.flos.com](http://www.flos.com)  
Flos reserves the right to introduce any changes to its own models, without prior notice.

ROSY ANGELIS F6160020

EN

## RF02178

ANODIZED ALUMINIUM ROD FOR DIMMER



Fig.3

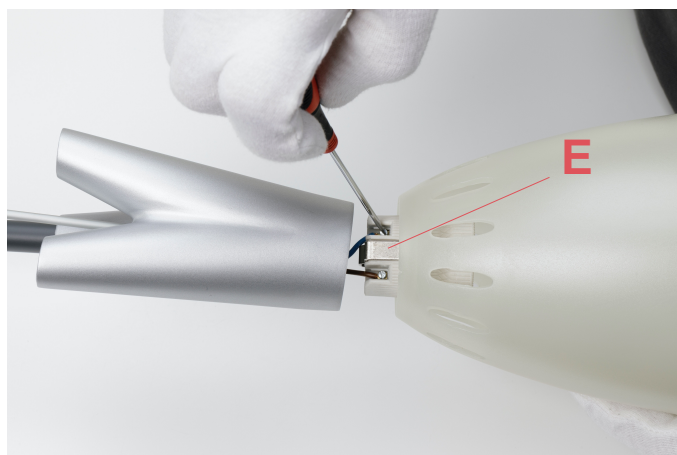


Fig.4

Unfasten the 2 screws (D) inside the lamp holder.  
Disconnect the wires Blue (N) and Brown (L) from the lamp holder terminals (E) and remove the lamp holder through the lateral hooks from the lamp cup.

WARNING! When installing and whenever acting on the appliance, ensure that the power supply has been switched off.  
For the installation of the spare-part, it is necessary to consult a qualified electrician.

ROSY ANGELIS F6160020

EN

**RF02178**

ANODIZED ALUMINIUM ROD FOR DIMMER

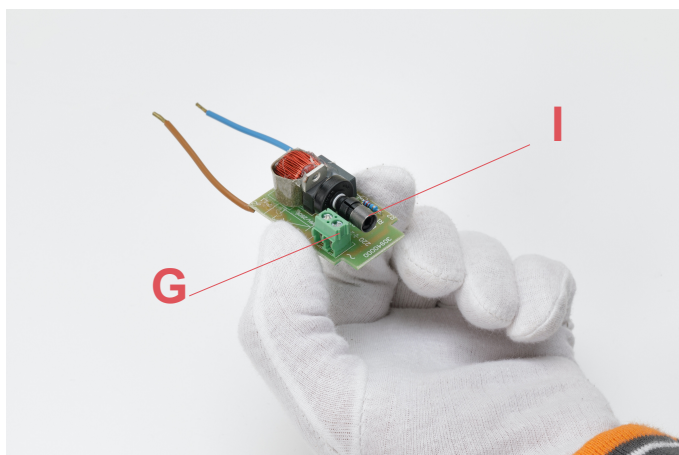


Fig.5

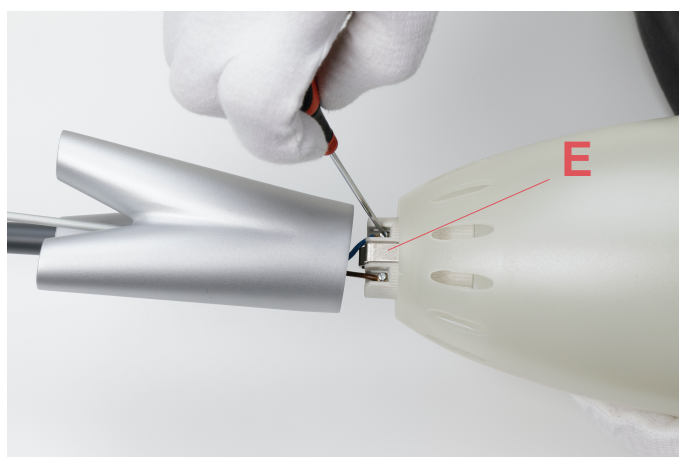


Fig.6

Pull-out the dimmer rod from the small drive shaft (I). Disconnect the electrical wires from the green terminal (G) and remove the PCB dimmer from the lamp body.

Assemble now the new spare-part:

Insert inside the lamp body the dimmer. Insert the rod inside the small drive shaft (I). Connect the electrical wires to the green terminals (G).

WARNING! When installing and whenever acting on the appliance, ensure that the power supply has been switched off. For the installation of the spare-part, it is necessary to consult a qualified electrician.

ROSY ANGELIS F6160020

EN

## RF02178

ANODIZED ALUMINIUM ROD FOR DIMMER

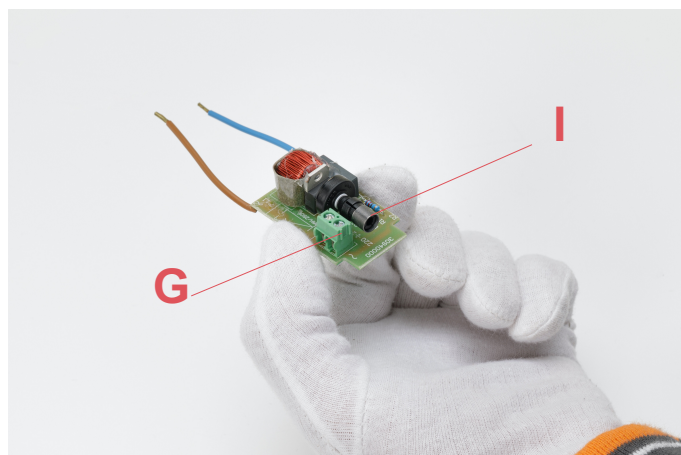


Fig.5



Fig.6

Pull-out the dimmer rod from the small drive shaft (I). Disconnect the electrical wires from the green terminal (G) and remove the PCB dimmer from the lamp body.

Assemble now the new spare-part:

Insert inside the lamp body the dimmer. Insert the rod inside the small drive shaft (I). Connect the electrical wires to the green terminals (G).

Install the lamp holder (J) to the new lamp cup (K).

WARNING! When installing and whenever acting on the appliance, ensure that the power supply has been switched off. For the installation of the spare-part, it is necessary to consult a qualified electrician.

ROSY ANGELIS F6160020

EN

**RF02178**

ANODIZED ALUMINIUM ROD FOR DIMMER

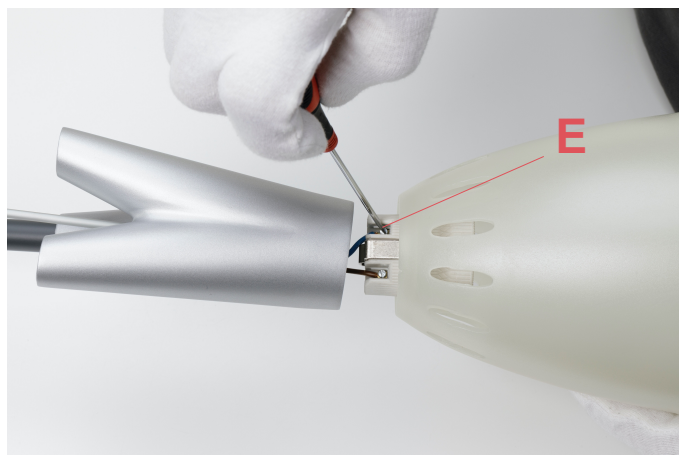


Fig.7



Fig.8

Connect the dimmer wires (Blue and Brown) to the lamp holder terminals (E) by respecting the polarities.

Assemble back the lamp holder and cup to the lamp body by fastening the 2 screws.

WARNING! When installing and whenever acting on the appliance, ensure that the power supply has been switched off.  
For the installation of the spare-part, it is necessary to consult a qualified electrician.

ROSY ANGELIS F6160020

EN

**RF02178**

ANODIZED ALUMINIUM ROD FOR DIMMER

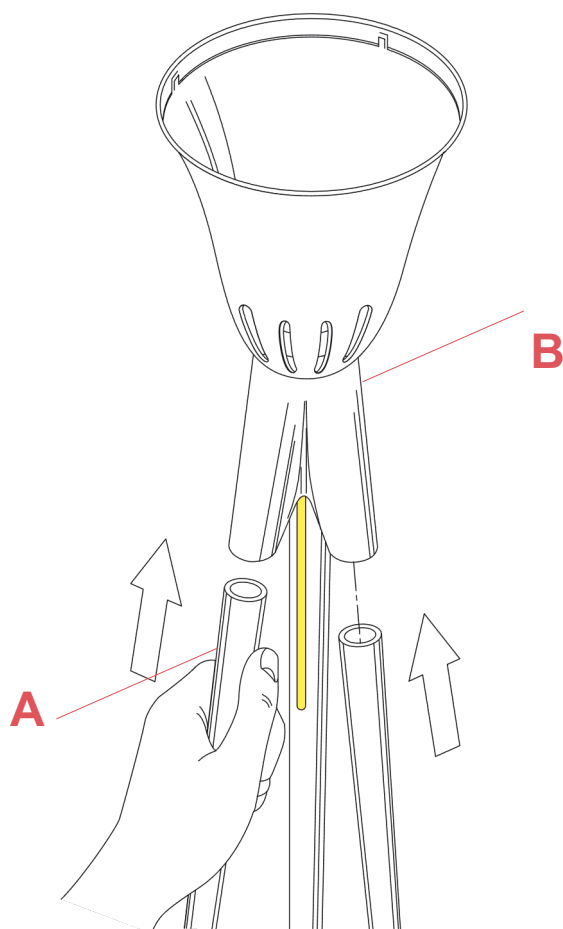


Fig.9

Insert the legs (A) in the body lamp (B).

WARNING! When installing and whenever acting on the appliance, ensure that the power supply has been switched off.  
For the installation of the spare-part, it is necessary to consult a qualified electrician.

©2021 Flos - All rights reserved - [www.flos.com](http://www.flos.com)  
Flos reserves the right to introduce any changes to its own models, without prior notice.

ROSY ANGELIS F6160020

EN

## RF02178

ANODIZED ALUMINIUM ROD FOR DIMMER

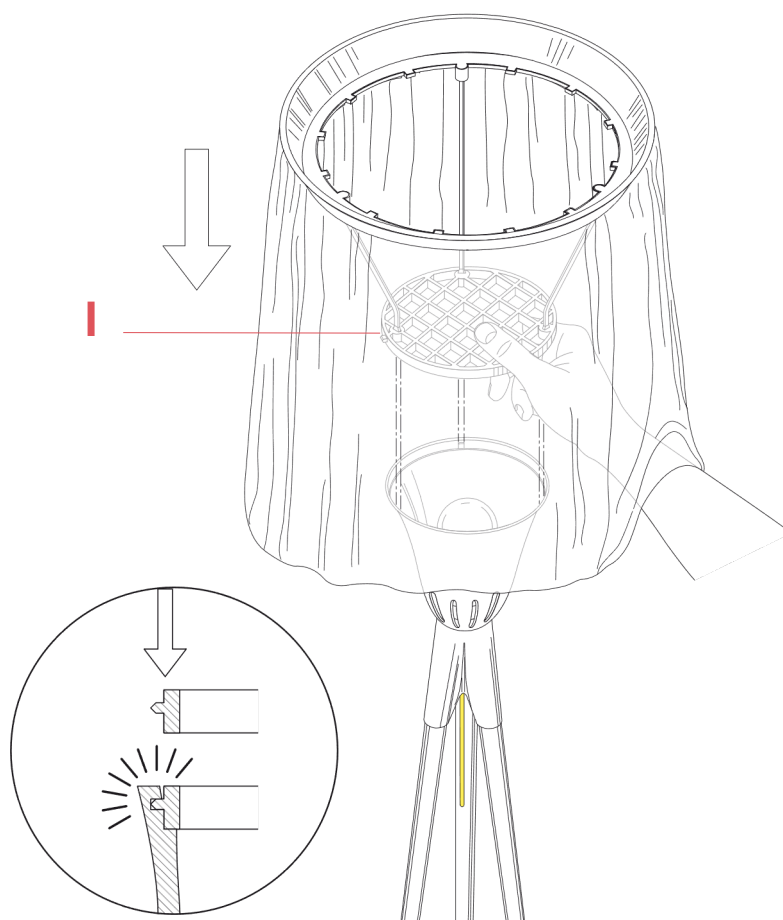


Fig.10

Insert the ring nut (I) and the fabric sheet (D) in the plastic diffuser housings (L) until they click into place as indicated in the figure.

**REMARKS!** For a correct installation, align the three supports with the plastic internal diffuser.

WARNING! When installing and whenever acting on the appliance, ensure that the power supply has been switched off. For the installation of the spare-part, it is necessary to consult a qualified electrician.



ROSY ANGELIS F6160020

EN

## RF06120

DIFFUSER



WARNING! When installing and whenever acting on the appliance, ensure that the power supply has been switched off.  
For the installation of the spare-part, it is necessary to consult a qualified electrician.