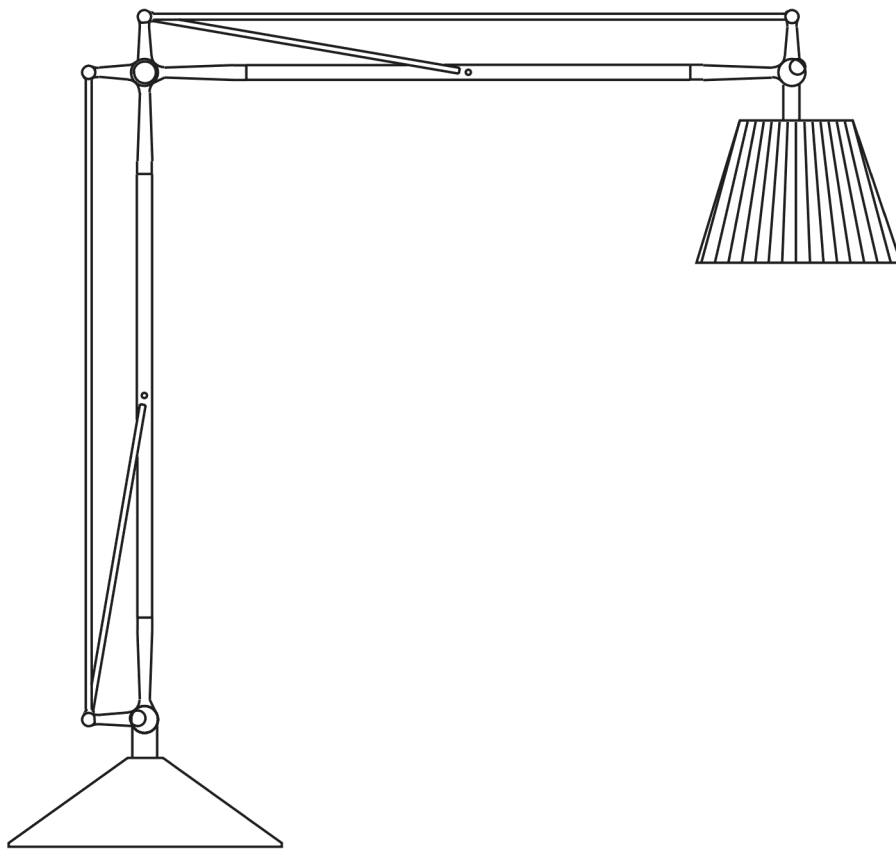


# SUPERARCHIMON

Designed by Philippe Starck, 2000

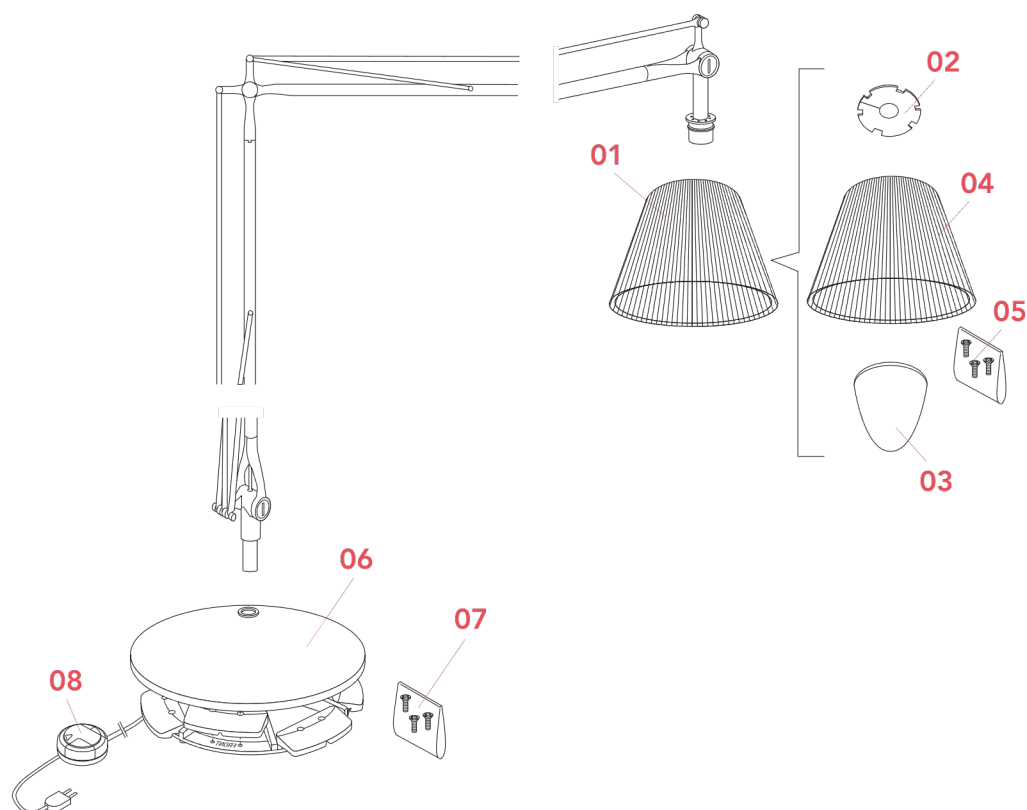
F6366020



## SUPERARCHIMOOON

F6366020

EN



- 01. F6372007 – Diffuser assembly
- 02. RF10277 – Anti-dust screen
- 03. RF10442 – Acid-etched diffuser assembly
- 04. RF10023 – Ivory shade
- 05. RF6372100 – Kit with fixing elements for diffuser
- 06. RF6372300 – Grey base cover
- 07. RF6372200 – Kit with small feet pads
- 08. RF29987 – Electrical wiring assembly with dimmer 1012S LFP

**SUPERARCHIMOOD** F6366020

**EN**

## **F6372007**

DIFFUSER ASSEMBLY



WARNING! When installing and whenever acting on the appliance, ensure that the power supply has been switched off.  
For the installation of the spare-part, it is necessary to consult a qualified electrician.

©2021 Flos - All rights reserved - [www.flos.com](http://www.flos.com)

Flos reserves the right to introduce any changes to its own models, without prior notice.

SUPERARCHIMOOON F6366020

EN

**F6372007**

DIFFUSER ASSEMBLY

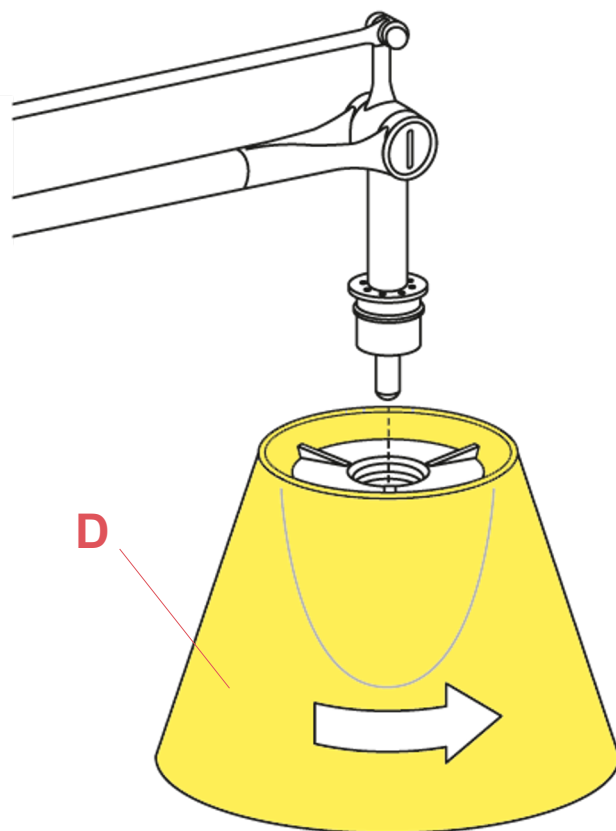


Fig.1

Fasten the diffuser (D).

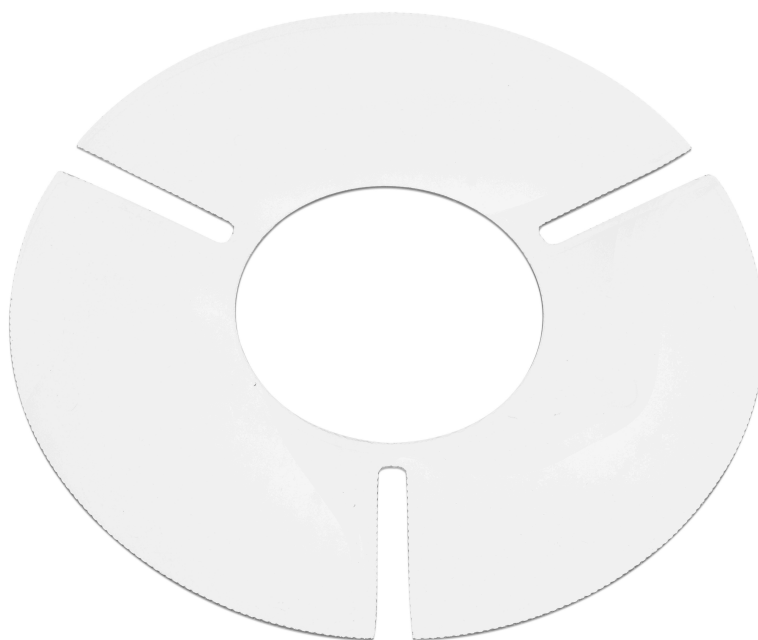
WARNING! When installing and whenever acting on the appliance, ensure that the power supply has been switched off.  
For the installation of the spare-part, it is necessary to consult a qualified electrician.

**SUPERARCHIMOOD** F6366020

**EN**

## **RF10277**

ANTI-DUST SCREEN



WARNING! When installing and whenever acting on the appliance, ensure that the power supply has been switched off.  
For the installation of the spare-part, it is necessary to consult a qualified electrician.

**SUPERARCHIMOOD** F6366020

**EN**

## **RF10442**

ACID-ETCHED DIFFUSER ASSEMBLY



WARNING! When installing and whenever acting on the appliance, ensure that the power supply has been switched off.  
For the installation of the spare-part, it is necessary to consult a qualified electrician.

©2021 Flos - All rights reserved - [www.flos.com](http://www.flos.com)  
Flos reserves the right to introduce any changes to its own models, without prior notice.

**SUPERARCHIMOOD** F6366020

**EN**

## **RF10023**

IVORY SHADE



WARNING! When installing and whenever acting on the appliance, ensure that the power supply has been switched off.  
For the installation of the spare-part, it is necessary to consult a qualified electrician.

©2021 Flos - All rights reserved - [www.flos.com](http://www.flos.com)

Flos reserves the right to introduce any changes to its own models, without prior notice.

**SUPERARCHIMOOON** F6366020

**EN**

## **RF6372100**

BAG WITH FIXING ELEMENTS FOR DIFFUSER



WARNING! When installing and whenever acting on the appliance, ensure that the power supply has been switched off.  
For the installation of the spare-part, it is necessary to consult a qualified electrician.



**SUPERARCHIMOOD** F6366020

**EN**

## **RF6372300**

GREY BASE COVER



WARNING! When installing and whenever acting on the appliance, ensure that the power supply has been switched off.  
For the installation of the spare-part, it is necessary to consult a qualified electrician.

©2021 Flos - All rights reserved - [www.flos.com](http://www.flos.com)

Flos reserves the right to introduce any changes to its own models, without prior notice.

SUPERARCHIMOOD F6366020

EN

**RF6372300**

GREY BASE COVER

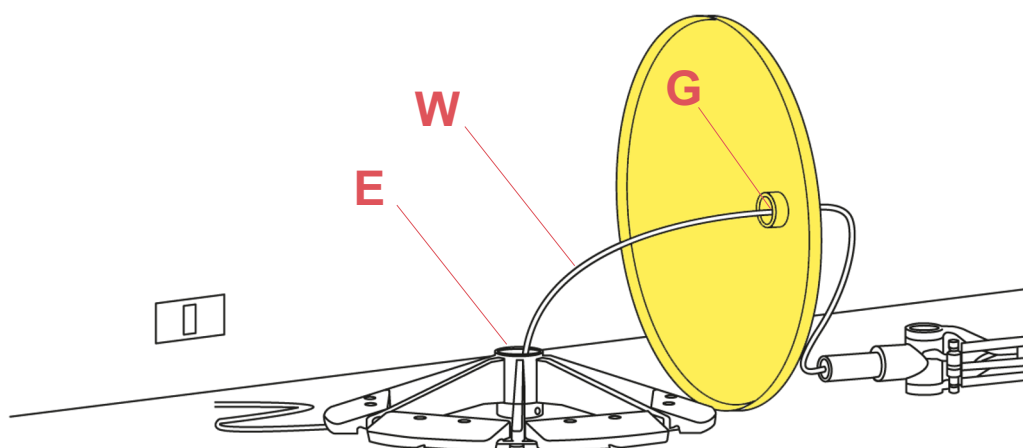


Fig.1

Insert the feeding cable (W) into the base cover hole (G) and through the base hole (E).

WARNING! When installing and whenever acting on the appliance, ensure that the power supply has been switched off. For the installation of the spare-part, it is necessary to consult a qualified electrician.

SUPERARCHIMON F6366020

EN

**RF6372300**

GREY BASE COVER

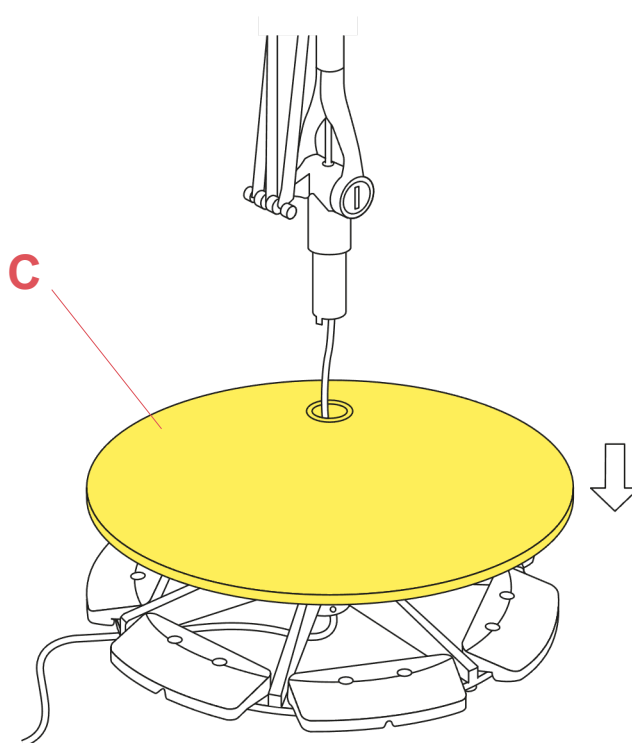


Fig.2

Position the base cover (C) on top of the base.

WARNING! When installing and whenever acting on the appliance, ensure that the power supply has been switched off.  
For the installation of the spare-part, it is necessary to consult a qualified electrician.

©2021 Flos - All rights reserved - [www.flos.com](http://www.flos.com)  
Flos reserves the right to introduce any changes to its own models, without prior notice.

**SUPERARCHIMOOD** F6366020

**EN**

## **RF6372200**

FLOOR SUPPORT BAG KIT



WARNING! When installing and whenever acting on the appliance, ensure that the power supply has been switched off. For the installation of the spare-part, it is necessary to consult a qualified electrician.

©2021 Flos - All rights reserved - [www.flos.com](http://www.flos.com)  
Flos reserves the right to introduce any changes to its own models, without prior notice.

SUPERARCHIMOON F6366020

EN

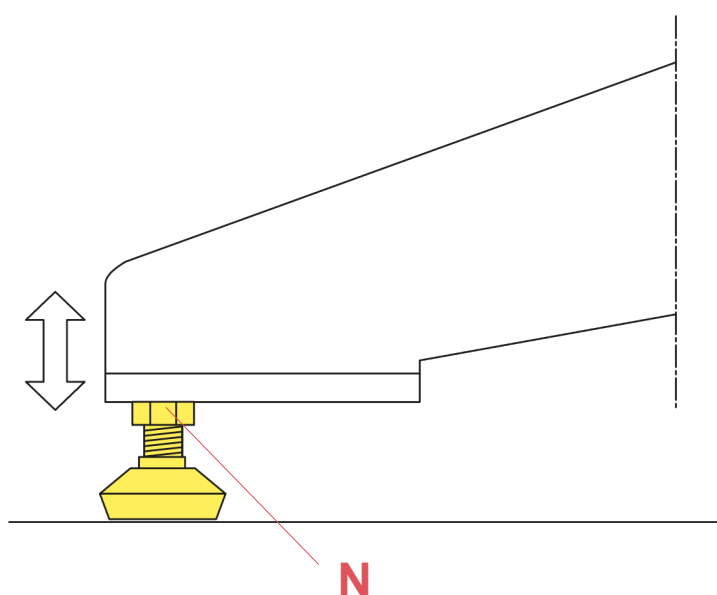
**RF6372200**  
FLOOR SUPPORT BAG KIT

Fig.1

Fasten and unfasten the floor support until you get the right levelness of the lamp base. Once adjusted, lock the supports by tightening the locking nut (N).

WARNING! When installing and whenever acting on the appliance, ensure that the power supply has been switched off. For the installation of the spare-part, it is necessary to consult a qualified electrician.

**SUPERARCHIMOOON** F6366020

**EN**

## **RF6372200** FLOOR SUPPORT BAG KIT

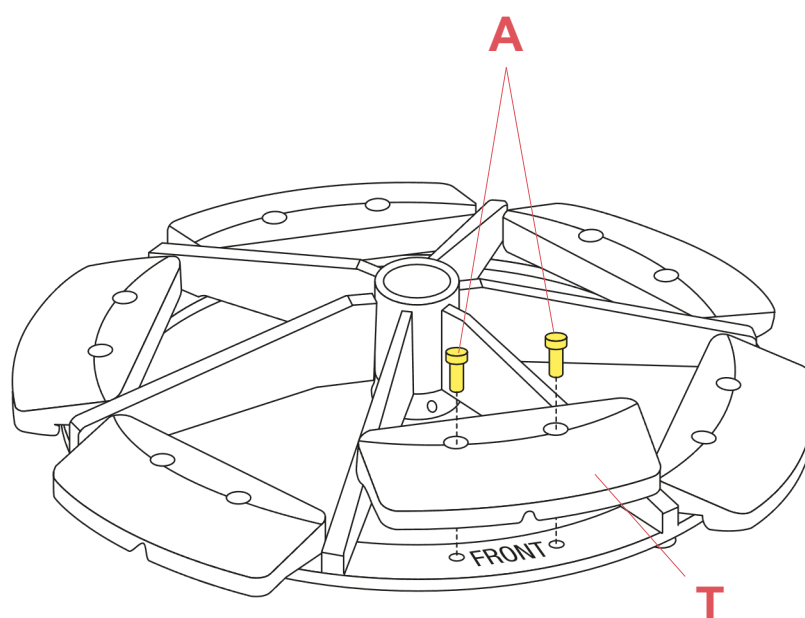


Fig.2

Assemble the counterweights (T) by fastening bolts (A).

WARNING! When installing and whenever acting on the appliance, ensure that the power supply has been switched off. For the installation of the spare-part, it is necessary to consult a qualified electrician.

SUPERARCHIMOOON F6366020

EN

**RF29987**

ELECTRICAL WIRING ASSEMBLY WITH DIMMER 1012S LFP



WARNING! When installing and whenever acting on the appliance, ensure that the power supply has been switched off.  
For the installation of the spare-part, it is necessary to consult a qualified electrician.

©2021 Flos - All rights reserved - [www.flos.com](http://www.flos.com)  
Flos reserves the right to introduce any changes to its own models, without prior notice.

**RF29987**

ELECTRICAL WIRING ASSEMBLY WITH DIMMER 1012S LFP

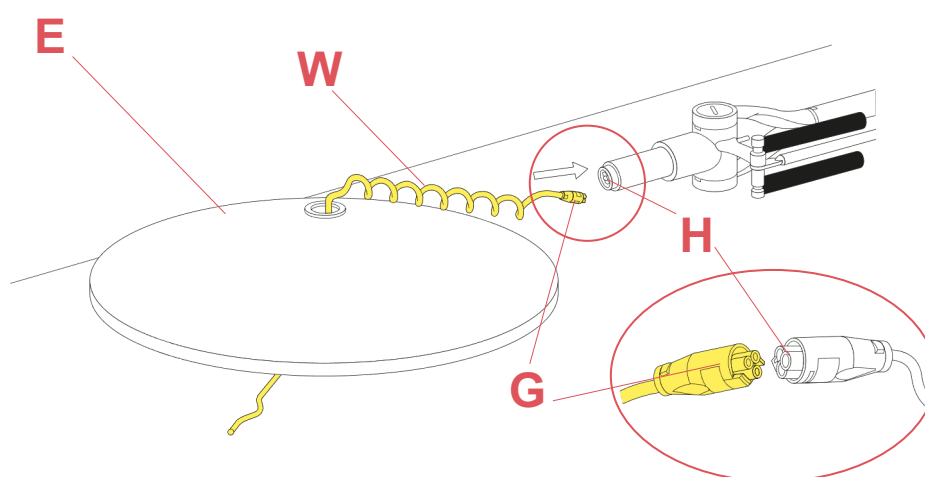


Fig.1

Assemble the cover (E) on the base taking care to pass the power supply cable (W) through the central hole of the cover (E); connect the plug (G) of the cable to the structure connector (H).

WARNING! When installing and whenever acting on the appliance, ensure that the power supply has been switched off. For the installation of the spare-part, it is necessary to consult a qualified electrician.