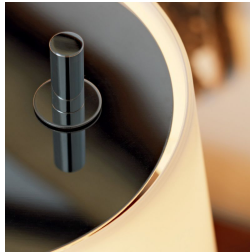


PASSION

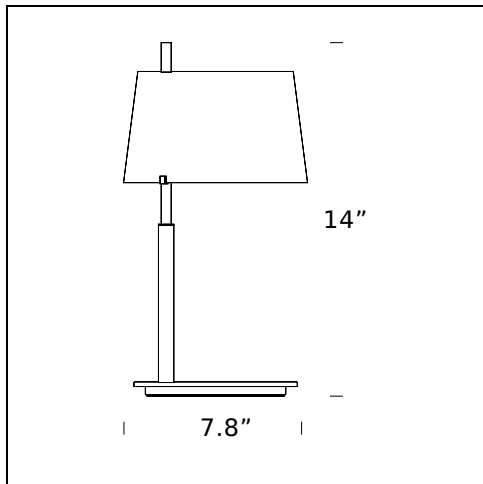
Studio Beretta Associati, 2004

Passion is a harmonious union of the delicateness of frosted glass and the pureness of metal. Available in suspension, table, and floor versions. In the latter, the stem is placed off centre on the base.



TECHNICAL SHEET

Table lamp with dimmer. Chromed CR or brushed nickel-plated NC brass frame. Diffuser in opaline frosted white blown glass. Metal upper reflector. Transparent power cable, dimmer and plug.



MODEL NAME: Passion

CODE: UL3610/00..

DIMENSION: \varnothing 7.8" \times 14.0"

MATERIALS: Glass, metal

COLORS

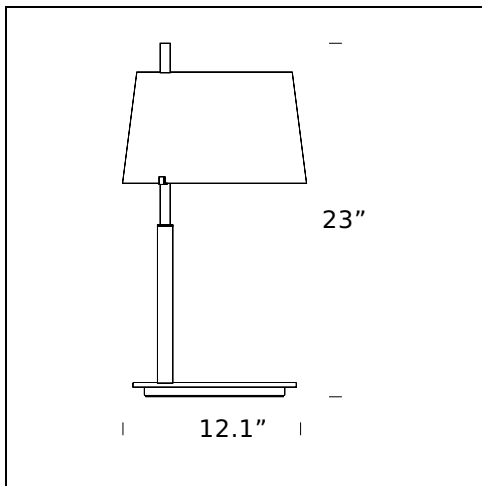
- Chrome-Plated
- Nickel-Plated - RAL Code: RAL 9006 Matt

LIGHTING SOURCE: 1 \times 60W (HA) T4 G9 H

PLUG: Transparent

POWER CORD: Transparent

CERTIFICATIONS AND SYMBOLS:



MODEL NAME: Passion

CODE: UL3610/0..

DIMENSION: \varnothing 12.1" \times 23.4"

MATERIALS: Glass, metal

COLORS

- Chrome-Plated
- Nickel-Plated - RAL Code: RAL 9006 Matt

LIGHTING SOURCE: 1 \times 150W (IN/FL/LED) A19 Medium E26/27

PLUG: Transparent

POWER CORD: Transparent

CERTIFICATIONS AND SYMBOLS:



Subject to technical modifications and modifications to content