



# **Bicocha**

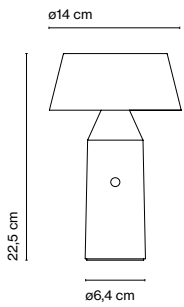
## Christophe Mathieu

**marset**

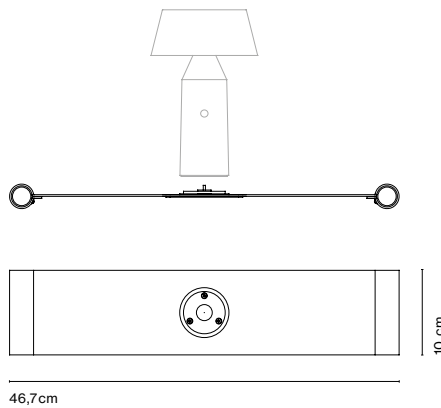


#METROPOLISlikes

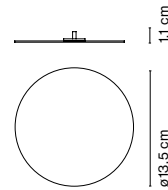
**Bicoca**



**Armrest accessory + magnet**



**Disc accessory + magnet**



**Magnet accessory**



**Bicoca**  
LED 5W 2700K  
Luminaire 241lm  
Light source 478lm  
(included)

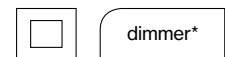
Battery life:  
5 hours in peak power  
10 hours in half power  
20 hours in a quarter power

Battery charging time: 10h.

info@marset.com  
www.marset.com

Color polycarbonate and shade. Opal diffuser polycarbonate. Stainless steel and teflon joint.

- Off-white (RAL 9001)
- Anthracite (RAL 7026)
- Red wine (RAL 3005)
- Light blue (PANTONE 7542)
- Pale pink (PANTONE 5015)
- Yellow (RAL 1032)



dimmer\*

\* 3 positions dimmer

- [Download](#) Assembly instructions
- [Download](#) Energy label
- [Download](#) 2D
- [Download](#) 3D
- [Download](#) Photometric data

The Bicoca is born with the optimism of brightening life and accompanying the good times, wherever you go. This new colorful, lightweight portable lamp projects an intimate light that adds warmth to all your personal spaces.