

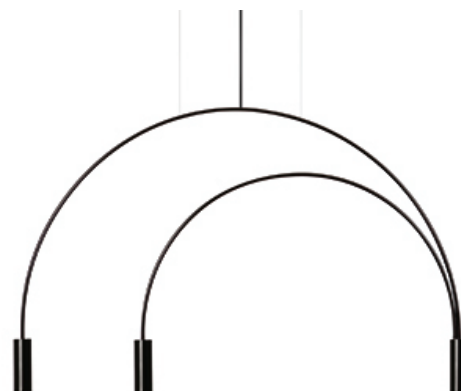
VOLTA T-3536S

surface suspension lamp

Date	Type
Project	
Location	
Model #	Quantity
Specifier	

Description

Suspension lamp with a curved metallic body, cylindrical aluminium heads and acrylic (PMMA) lens diffusers. Adjustable height. Possibility to create different compositions (see page 5).



Pictures above might not show the specified dimensions or material. They are for illustration purposes only.

Ordering information

Code	Lamp
T-3536S-W	LED 3x6,2W (led included) E (2700K / Ang 45° / >90 CRI / 350mA) 230V / Typ* 3x725 lumens / Dimmable Triac
T-3536S-M	LED 3x6,2W (led included) E (3000K / Ang 45° / >90 CRI / 350mA) 230V / Typ* 3x763 lumens / Dimmable Triac

Canopy		Finish body		Finish head	
26 BLK	Black	26 BLK	Black	26 BLK	Black
71 WH	White	71 WH	White	61 S GLD	Satin Gold
		CUSTOM		71 WH	White
				CUSTOM	

Product includes

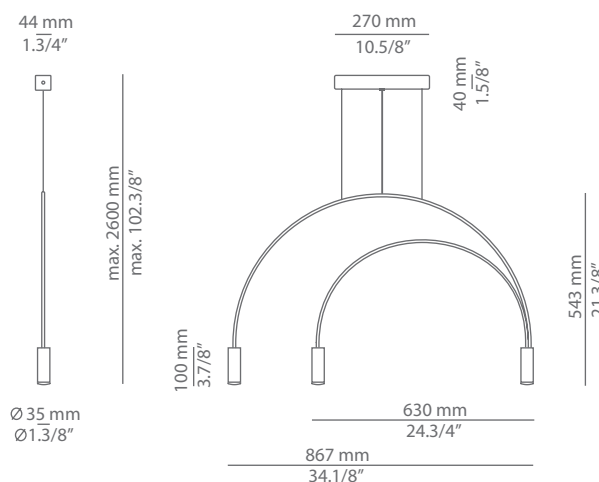
Code	Description
113635XX0	1 surface canopy for 1 single pendant
T-3536C	1 Volta pendant

SPECIAL REQUIREMENTS

Custom versions

We offer custom plated or RAL finishes. Alternate lamping and sizes available for projects. Consult our offices.

Special instructions



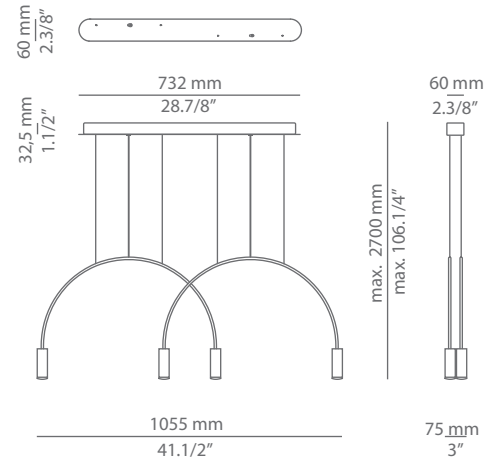
VOLTA T-3535S / T-3536S

linear surface compositions

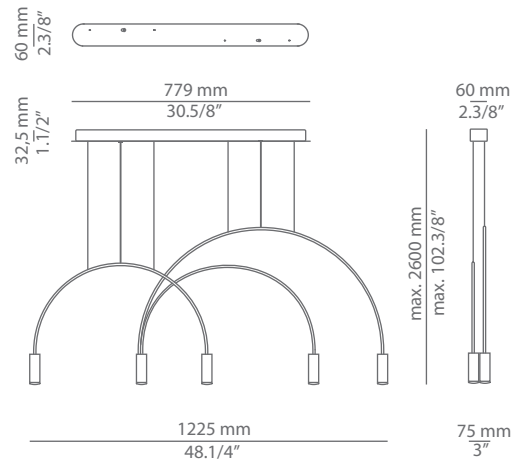
Date	Type
Project	
Location	
Model #	Quantity
Specifier	

Many possible configurations with T-3535S and T-3536S

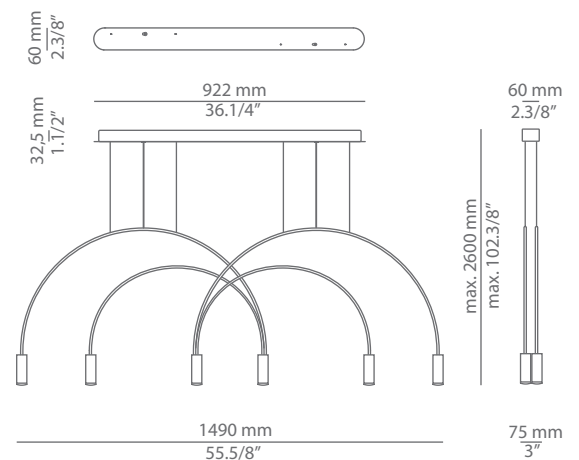
Code	Composition includes	Temperature
L73S.2D	<ul style="list-style-type: none"> 1 linear canopy 113535XX1 2 units of T-3535C 2 drivers / Dimmable Triac 	<ul style="list-style-type: none"> T-3535C-W (2700K / 725 lumens) T-3535C-M (3000K / 763 lumens)
Canopy		Head
<ul style="list-style-type: none"> 26 BLK Black 71 WH White 	Body	<ul style="list-style-type: none"> 26 BLK Black 61 S GLD Satin Gold 71 WH White CUSTOM
	Body	Head
	<ul style="list-style-type: none"> 26 BLK Black 71 WH White CUSTOM 	<ul style="list-style-type: none"> 26 BLK Black 61 S GLD Satin Gold 71 WH White CUSTOM



Code	Composition includes	Temperature
L78S.1D1T	<ul style="list-style-type: none"> 1 linear canopy 113535XX2 1 unit of T-3535C 1 unit of T-3536C 2 drivers / Dimmable Triac 	<ul style="list-style-type: none"> T-3535C-W / T-3536C-W (2700K / 725 lumens) T-3535C-M / T-3536C-M (3000K / 763 lumens)
Canopy		Head
<ul style="list-style-type: none"> 26 BLK Black 71 WH White 	Body	<ul style="list-style-type: none"> 26 BLK Black 61 S GLD Satin Gold 71 WH White CUSTOM
	Body	Head
	<ul style="list-style-type: none"> 26 BLK Black 71 WH White CUSTOM 	<ul style="list-style-type: none"> 26 BLK Black 61 S GLD Satin Gold 71 WH White CUSTOM



Code	Composition includes	Temperature
L92S.2T	<ul style="list-style-type: none"> 1 linear canopy 113535XX3 2 units of T-3536C 2 drivers / Dimmable Triac 	<ul style="list-style-type: none"> T-3536C-W (2700K / 725 lumens) T-3536C-M (3000K / 763 lumens)
Canopy		Head
<ul style="list-style-type: none"> 26 BLK Black 71 WH White 	Body	<ul style="list-style-type: none"> 26 BLK Black 61 S GLD Satin Gold 71 WH White CUSTOM
	Body	Head
	<ul style="list-style-type: none"> 26 BLK Black 71 WH White CUSTOM 	<ul style="list-style-type: none"> 26 BLK Black 61 S GLD Satin Gold 71 WH White CUSTOM

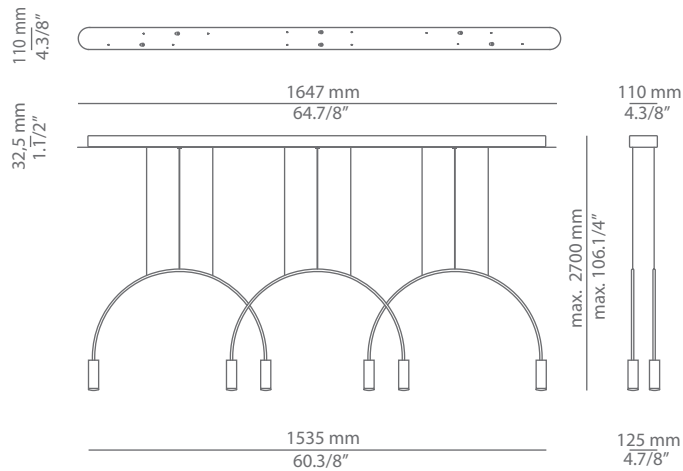


VOLTA T-3535S / T-3536S

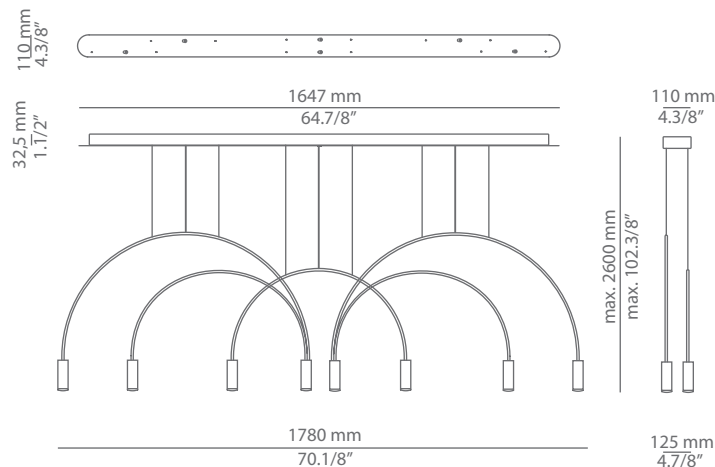
linear surface compositions

Date	Type
Project	
Location	
Model #	Quantity
Specifier	

Code	Composition includes	Temperature	Canopy	Body	Head
■ L165S.3D	<ul style="list-style-type: none"> ■ 1 linear canopy 113535XX7 ■ 3 units of T-3535C ■ 3 drivers / Dimmable Triac 	<ul style="list-style-type: none"> ■ T-3535C-W (2700K / 725 lumens) ■ T-3535C-M (3000K / 763 lumens) 	<ul style="list-style-type: none"> ■ 26 BLK Black ■ 71 WH White 	<ul style="list-style-type: none"> ■ 26 BLK Black ■ 71 WH White ■ CUSTOM 	<ul style="list-style-type: none"> ■ 26 BLK Black ■ 61 S GLD Satin Gold ■ 71 WH White ■ CUSTOM



Code	Composition includes	Temperature	Canopy	Body	Head
■ L165S.1T1D1T	<ul style="list-style-type: none"> ■ 1 linear canopy 113535XX7 ■ 1 unit of T-3535C ■ 2 units of T-3536C ■ 3 drivers / Dimmable Triac 	<ul style="list-style-type: none"> ■ T-3535C-W / T-3536C-W (2700K / 725 lumens) ■ T-3535C-M / T-3536C-M (3000K / 763 lumens) 	<ul style="list-style-type: none"> ■ 26 BLK Black ■ 71 WH White 	<ul style="list-style-type: none"> ■ 26 BLK Black ■ 71 WH White ■ CUSTOM 	<ul style="list-style-type: none"> ■ 26 BLK Black ■ 61 S GLD Satin Gold ■ 71 WH White ■ CUSTOM



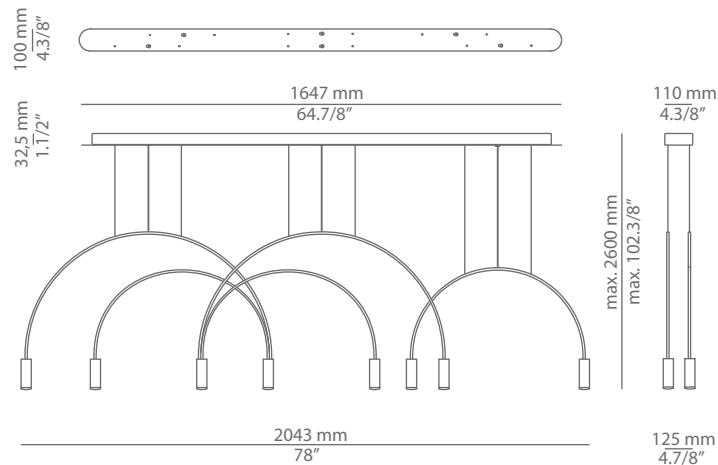
VOLTA T-3535S / T-3536S

linear surface compositions

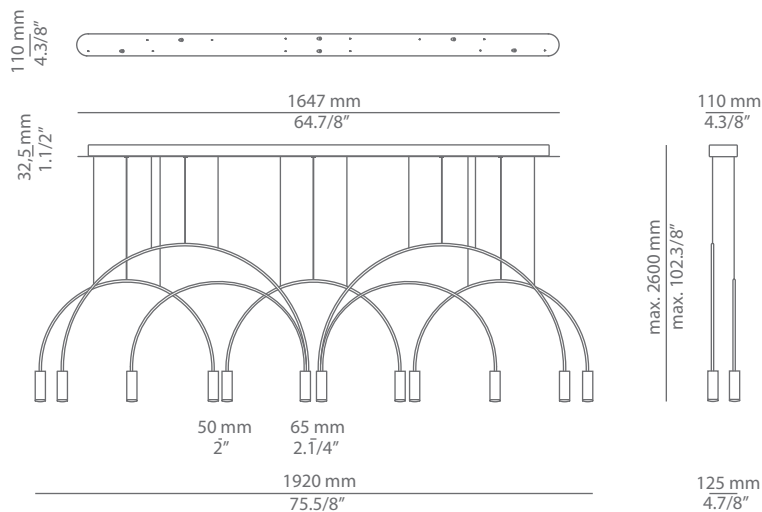
Date	Type
Project	
Location	
Model #	Quantity
Specifier	

Ordering information

Code	Composition includes	Temperature	Canopy	Body	Head
■ L165S.1D2T	<ul style="list-style-type: none"> ■ 1 linear canopy 113535XX7 ■ 1 unit of T-3535C ■ 2 units of T-3536C ■ 3 drivers / Dimmable Triac 	<ul style="list-style-type: none"> ■ T-3535C-W / T-3536C-W (2700K / 725 lumens) ■ T-3535C-M / T-3536C-M (3000K / 763 lumens) 	<ul style="list-style-type: none"> ■ 26 BLK Black ■ 71 WH White 	<ul style="list-style-type: none"> ■ 26 BLK Black ■ 71 WH White ■ CUSTOM 	<ul style="list-style-type: none"> ■ 26 BLK Black ■ 61 S GLD Satin Gold ■ 71 WH White ■ CUSTOM



Code	Composition includes	Temperature	Canopy	Body	Head
■ L165S.3D2T	<ul style="list-style-type: none"> ■ 1 linear canopy 113535XX7 ■ 3 units of T-3535C ■ 2 units of T-3536C ■ 5 drivers / Dimmable Triac 	<ul style="list-style-type: none"> ■ T-3535C-W / T-3536C-W (2700K / 725 lumens) ■ T-3535C-M / T-3536C-M (3000K / 763 lumens) 	<ul style="list-style-type: none"> ■ 26 BLK Black ■ 71 WH White 	<ul style="list-style-type: none"> ■ 26 BLK Black ■ 71 WH White ■ CUSTOM 	<ul style="list-style-type: none"> ■ 26 BLK Black ■ 61 S GLD Satin Gold ■ 71 WH White ■ CUSTOM



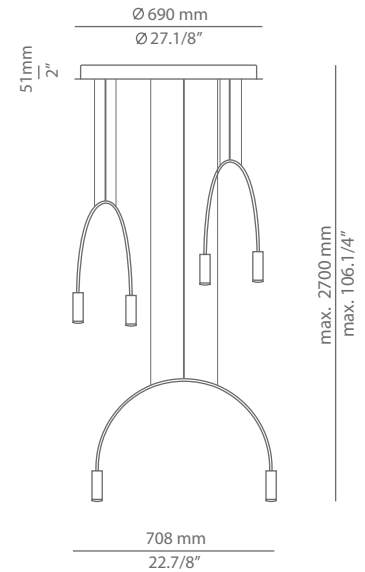
VOLTA

T-3535S / T-3536S

round surface compositions

Date	Type
Project	
Location	
Model #	Quantity
Specifier	

Code	Composition includes	Temperature						
■ R70S.3D	<ul style="list-style-type: none"> ■ 1 round canopy 113535XX4 ■ 3 units of T-3535C ■ 3 drivers / Dimmable Triac 	<ul style="list-style-type: none"> ■ T-3535C-W (2700K / 725 lumens) ■ T-3535C-M (3000K / 763 lumens) 						
	<table border="1"> <tr> <td>Canopy</td> <td>Body</td> <td>Head</td> </tr> <tr> <td> <ul style="list-style-type: none"> ■ 26 BLK Black ■ 71 WH White </td> <td> <ul style="list-style-type: none"> ■ 26 BLK Black ■ 71 WH White ■ CUSTOM </td> <td> <ul style="list-style-type: none"> ■ 26 BLK Black ■ 61 S GLD Satin Gold ■ 71 WH White ■ CUSTOM </td> </tr> </table>	Canopy	Body	Head	<ul style="list-style-type: none"> ■ 26 BLK Black ■ 71 WH White 	<ul style="list-style-type: none"> ■ 26 BLK Black ■ 71 WH White ■ CUSTOM 	<ul style="list-style-type: none"> ■ 26 BLK Black ■ 61 S GLD Satin Gold ■ 71 WH White ■ CUSTOM 	
Canopy	Body	Head						
<ul style="list-style-type: none"> ■ 26 BLK Black ■ 71 WH White 	<ul style="list-style-type: none"> ■ 26 BLK Black ■ 71 WH White ■ CUSTOM 	<ul style="list-style-type: none"> ■ 26 BLK Black ■ 61 S GLD Satin Gold ■ 71 WH White ■ CUSTOM 						



Code	Composition includes	Temperature						
■ R100S.5D	<ul style="list-style-type: none"> ■ 1 round canopy 113535XX5 ■ 5 units of T-3535C ■ 5 drivers / Dimmable Triac 	<ul style="list-style-type: none"> ■ T-3535C-W (2700K / 725 lumens) ■ T-3535C-M (3000K / 763 lumens) 						
	<table border="1"> <tr> <td>Canopy</td> <td>Body</td> <td>Head</td> </tr> <tr> <td> <ul style="list-style-type: none"> ■ 26 BLK Black ■ 71 WH White </td> <td> <ul style="list-style-type: none"> ■ 26 BLK Black ■ 71 WH White ■ CUSTOM </td> <td> <ul style="list-style-type: none"> ■ 26 BLK Black ■ 61 S GLD Satin Gold ■ 71 WH White ■ CUSTOM </td> </tr> </table>	Canopy	Body	Head	<ul style="list-style-type: none"> ■ 26 BLK Black ■ 71 WH White 	<ul style="list-style-type: none"> ■ 26 BLK Black ■ 71 WH White ■ CUSTOM 	<ul style="list-style-type: none"> ■ 26 BLK Black ■ 61 S GLD Satin Gold ■ 71 WH White ■ CUSTOM 	
Canopy	Body	Head						
<ul style="list-style-type: none"> ■ 26 BLK Black ■ 71 WH White 	<ul style="list-style-type: none"> ■ 26 BLK Black ■ 71 WH White ■ CUSTOM 	<ul style="list-style-type: none"> ■ 26 BLK Black ■ 61 S GLD Satin Gold ■ 71 WH White ■ CUSTOM 						

