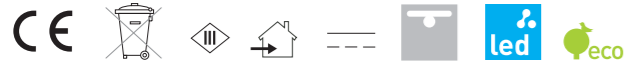


# CREDO REO JAC



Correcte verwijdering van dit product (Elektrische & elektronische afvalapparatuur)  
 Comment éliminer ce produit (Déchets d'équipements électriques et électroniques)  
 Korrekte Entsorgung dieses Produkts (Elektromüll)  
 Correct disposal of this product (Waste electrical & electronic equipment)  
 Eliminación correcta de este producto (Material eléctrico y electrónico de descarte)  
 Corretto smaltimento del prodotto (Rifiuti elettrici ed elettronici)



Enkel geschikt voor toestellen op zeer lage spanning (minder dan 50 V AC)  
 Convient uniquement pour les produits à très basse tension (moins de 50 V AC)  
 Geeignet für Güter mit sehr niedriger Spannung (unter 50 V AC)  
 Only suited for goods at very low voltage (below 50 V AC)  
 Se recomienda únicamente para aquellos productos de tensión muy baja (menos de 50 V AC)  
 Vale unicamente per i prodotti a tensione molto bassa (inferiore a 50 V AC)



Installeer het armatuur enkel in ruimten waar direct contact met water onmogelijk is.  
 Cet équipement doit être installé dans des pièces hors de toute projection d'eau.  
 Diese Leuchte darf nur in Räumen verwendet werden, in denen ein direkter Kontakt mit Wasser nicht möglich ist.  
 This fitting should only be installed in rooms where direct contact with water is impossible.  
 Este aparato solamente puede ser instalado en habitaciones donde el contacto directo con el agua sea imposible.  
 Questo apparecchio di illuminazione deve essere installato solamente in locali in cui il contatto con l'acqua è impossibile.



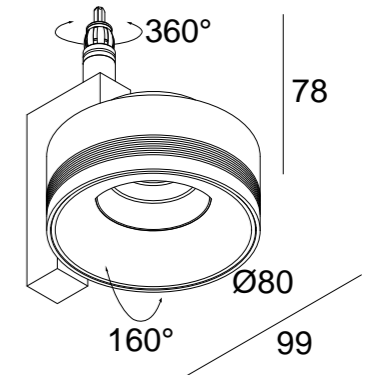
Gelijktroomtoevoer  
 Alimentation DC  
 GS-Zufuhr  
 DC supply  
 Alimentación de CC  
 Alimentazione CC



Bevestiging plafond opbouw  
 Montage plafond appliqué  
 Montage decke aufgebaut  
 Fixation ceiling surface mounted  
 Montaje techo montado al superficie  
 Montaggio soffitto montato a superficie

# Credo Reo Jac

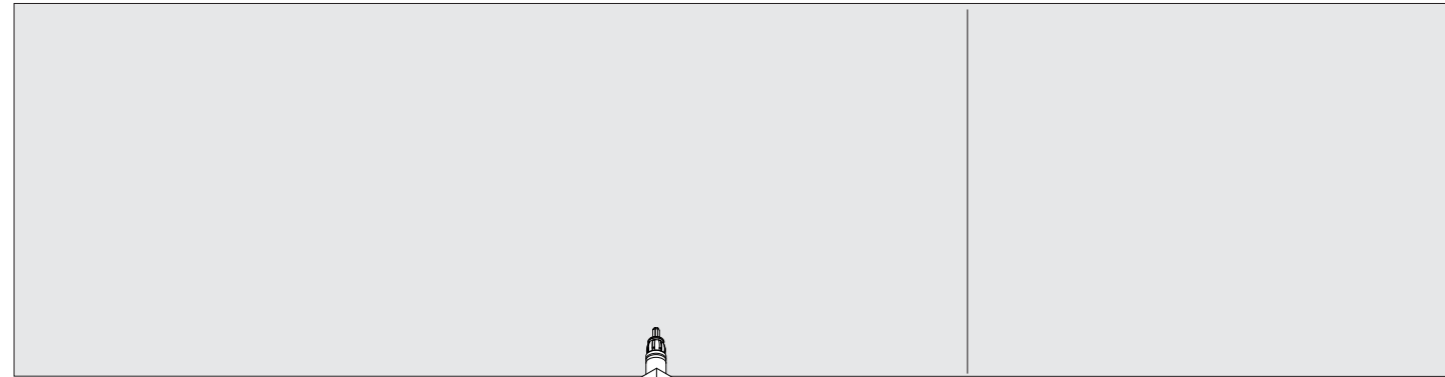
Manual/



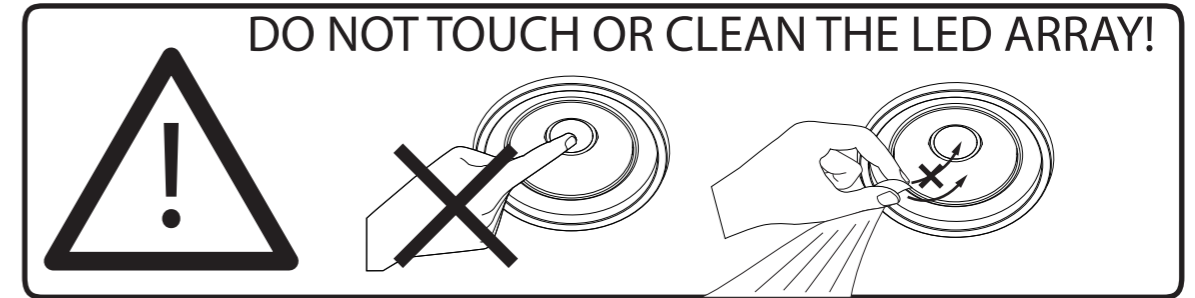
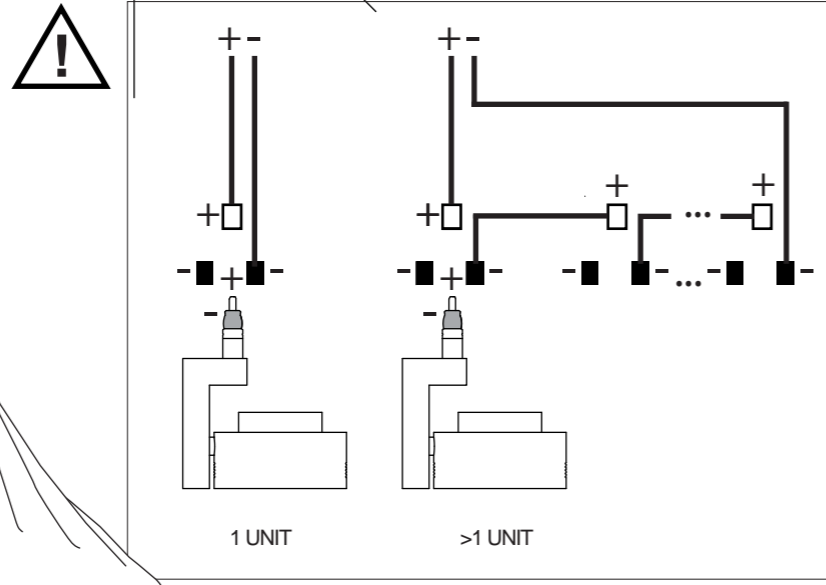
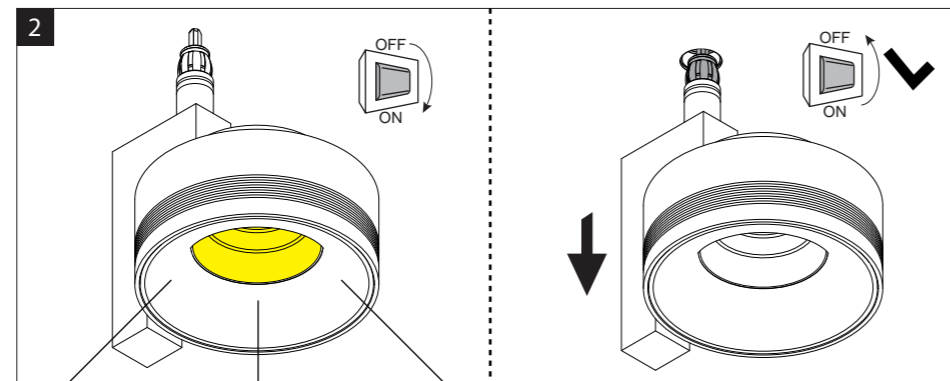
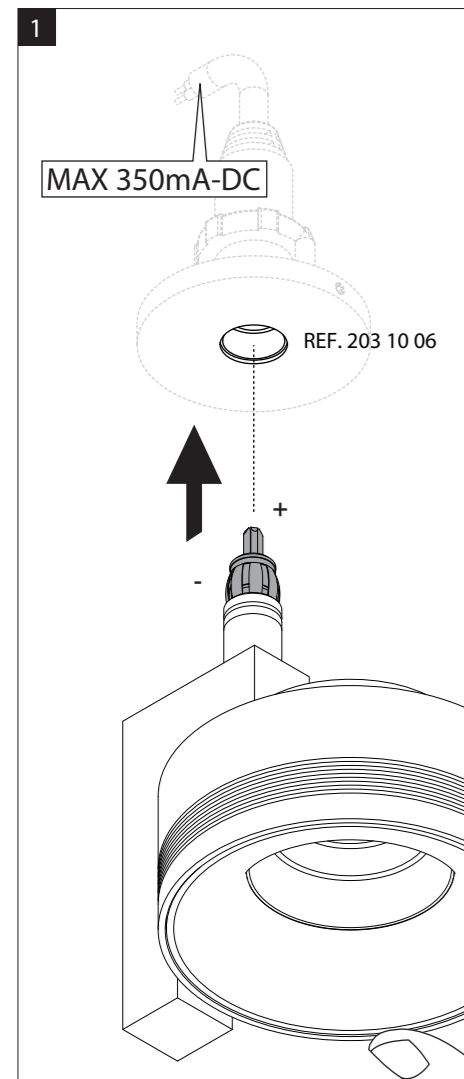
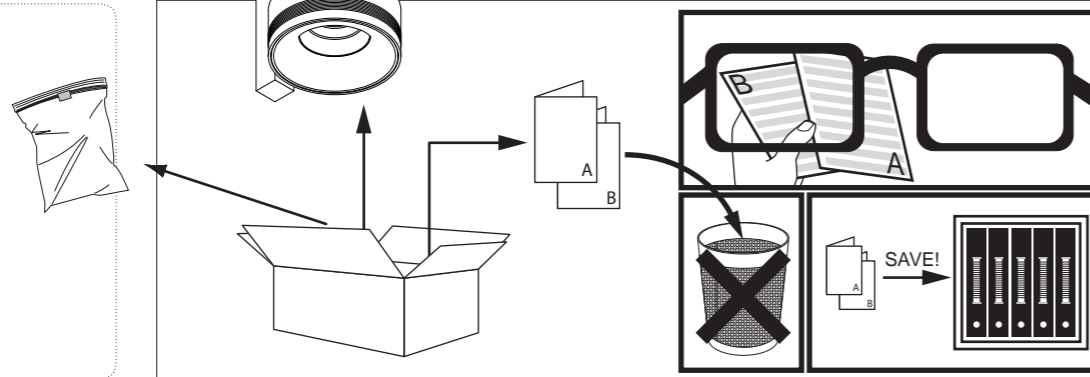
JACK SYSTEM	Ø41 x 9 / 38	16 x 60
JACKPOINT ◇	Ø41 x 9 / 38	16 x 60
203 10 01 ◇		
◇ = A / B / W		
SETPOINT ◇	Ø85 x 43	105 x 75
203 10 27 ◇		max.22
◇ = PRIM		
CARREEPOINT ◇	50 x 50 x 5 / 38	16 x 60
203 10 02 ◇		
◇ = A / W		
DELTAPOINT SINGLE ◇	Ø82 x 3 / 45	68 x 50
203 20 01 ◇		max.35
◇ = A / W		
FLATPOINT ◇	Ø45 x 5 / 41	16 x 60
203 10 06 ◇		
◇ = ALU		
DAXPOINT ◇	Ø65 x 6 / 35	58 x 45
203 10 03 ◇		max.12
◇ = A / B / W		
SAX 1 ◇	Ø50 / Ø19 x 52	
203 10 15 ◇		
◇ = A / W		

	CRI > 80	CRI > 90
4000K		
	ON REQUEST	
3000K	660 lm	580 lm
REFLECTOR FL-33°	CREDO REO 3033 JAC ◇ JAC 62 28122 ◇ ◇ = A / W	CREDO REO 3033-9 JAC ◇ JAC 62 29122 ◇ ◇ = A / W
REFLECTOR WFL-50°	CREDO REO 3050 JAC ◇ JAC 62 28132 ◇ ◇ = A / W	CREDO REO 3050-9 JAC ◇ JAC 62 29132 ◇ ◇ = A / W
2700K	620 lm	525 lm
REFLECTOR FL-33°	CREDO REO 2733 JAC ◇ JAC 62 28123 ◇ ◇ = A / W	CREDO REO 2733-9 JAC ◇ JAC 62 29123 ◇ ◇ = A / W
REFLECTOR WFL-50°	CREDO REO 2750 JAC ◇ JAC 62 28133 ◇ ◇ = A / W	CREDO REO 2750-9 JAC ◇ JAC 62 29133 ◇ ◇ = A / W
	INCL. 1 x POWERLED WHITE 7W EXCL. LED POWER SUPPLY 350mA-DC 220-240V / 50-60Hz CE 0,4 IP20 OPTIONS LED POWER SUPPLY 350mA-DC / DIM	





Accessory Set



- Use only power supplies that are certified according to the applicable IEC or UL safety standards.
- Use only SELV power supplies.
- Check the ratings of the power supply with those of the luminaire. The maximum current rating must be taken into account. The indicated typical voltage must not be used to select a constant voltage power supply but is intended to be used to select a constant current power supply that is able to cover that typical voltage.
- Take appropriate ESD measures. Avoid touching bare conductors.
- Leds or led luminaires that require a current controlled power supply must never be connected in parallel.
- Leds can be damaged by the contact with certain chemicals or chemical gasses. Therefore led domes or led engines should never be cleaned with chemical substances. The following substances have proven to have a negative influence on the performance and must not be used in the direct environment of a led luminaire.
  - Methyl acetate or ethyl acetate (i.e., nail polish remover)
  - Cyanoacrylates (i.e., "Superglue")
  - Glycol ethers (including Radio Shack® Precision Electronics Cleaner - dipropylene glycol monomethyl ether)
  - Formaldehyde or butadiene (including Ashland PLIOBOND® adhesive)
  - Dymax 984-LVUF conformal coating
  - Loctite Sumo Glue
  - Gorilla Glue
  - Bleach, Bleach-containing cleaners, sprays
  - Loctite 384 adhesive
  - Loctite 7387 activator
  - Loctite 242 threadlocker
- Remove insulation and/or provide sufficient ventilation so that the indicated max Tc is not surpassed.
- Leds are susceptible to switching transients. Therefore switching must be done in the primary circuit of the power supply.
- DELTA LIGHT recommends to use the power supplies that are indicated in the Lighting Bible.
- Respect polarity
- Don't test LED luminaires one by one on a powersupply that is switched on.