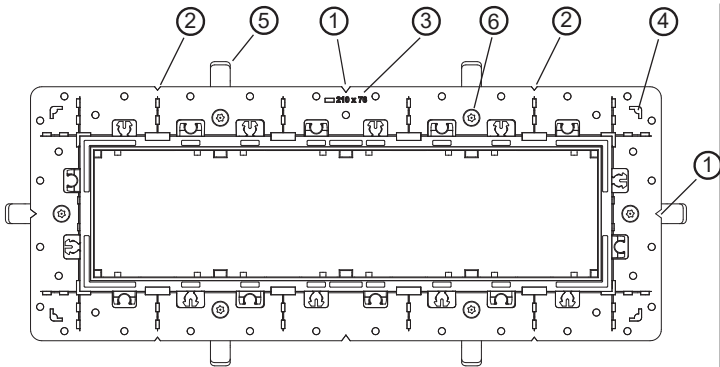




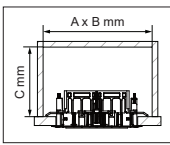
# Qbini trimless frame (installation)

141800XX 141801XX 141802XX 141803XX



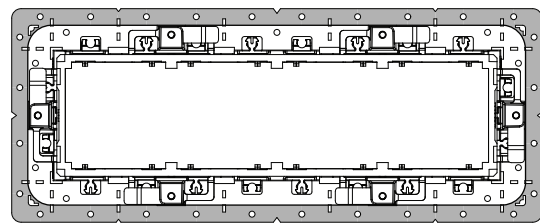
- ① MIDDLE MARK
- ② CENTERHOLE MARKS (LEFT & RIGHT)
- ③ RECTANGULAR CUT-OUT DIMENSIONS
- ④ RECTANGULAR CUT-OUT TEMPLATE MARKS
- ⑤ CLAMPING PLATES FOR MOUNTING INTO CEILING
- ⑥ SCREWS TO TIGHTEN CLAMPING PLATES DURING INSTALLATION

MARKS CAN BE USED TO DEFINE CENTER HOLES OR CUT-OUT BORDERS

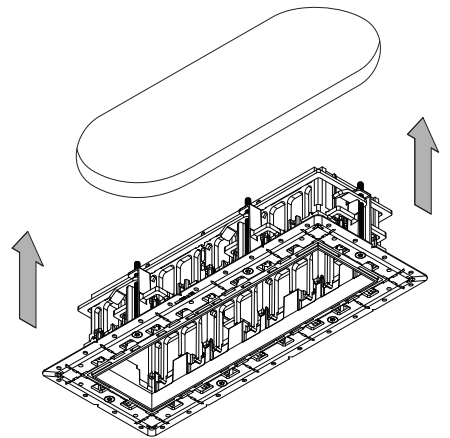


MINIMAL BUILD-IN VOLUME: A x B x C

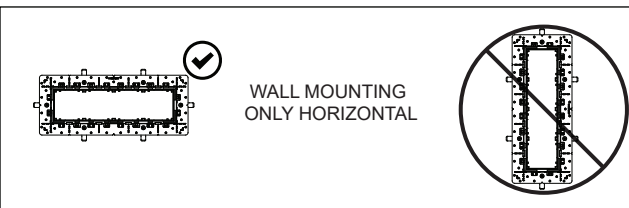
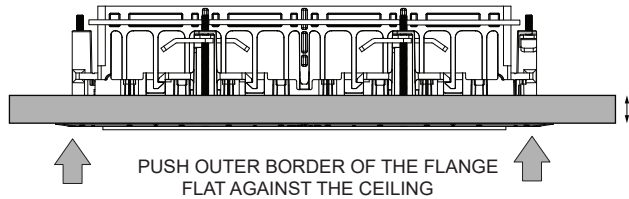
	QBINI	QBINI ADJUSTABLE
 141800XX	125x155x75	160x155x130
 141801XX	165x155x75	190x155x130
 141802XX	205x155x75	220x155x130
 141803XX	245x155x75	250x155x130



USE PLASTERBOARD GLUE ALL AROUND FLANGE BORDER (DO NOT USE SILICONE ADHESIVE)

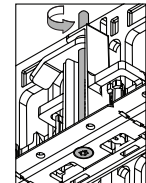


CEILING THICKNESS BETWEEN 2mm - 26mm

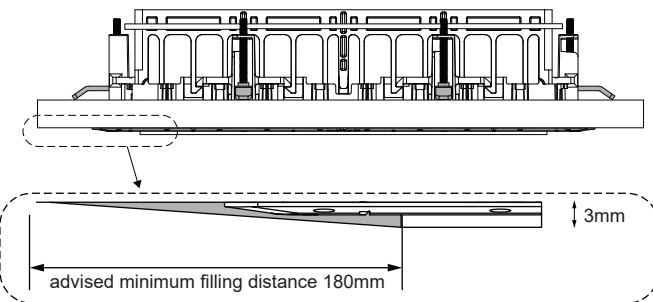
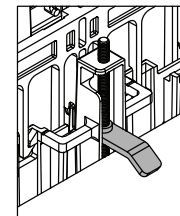
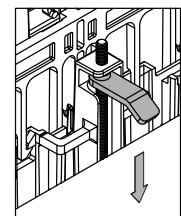
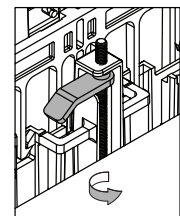


WALL MOUNTING ONLY HORIZONTAL

TURN THE SCREW TO MOVE CLAMP UP/DOWN



USE LOW TORQUE- AND SPEED SETTINGS



PROTECT INSIDE OF THE FRAME FROM FILLER (USE INCLUDED CARDBOARD TEMPLATE)

