

LED MODULE

for BOX/RAY Wall Interior

08-May-2017

1.0 LED

LED 6W | 220-240VAC | 50-60Hz | PCB 3-step | incl. PS | phase-cut dim | incl. shading flaps

CE IP20 0.3m

white texture 912178W_
black texture 912178B_

LIGHT COLOUR

2700K | >80CRI | 400lm 2
3000K | >80CRI | 440lm 4
1800-2850K | >80CRI | 400lm 9

2.0 / 3.0 LED

LED 2x LED 3W | 220-240VAC | 50-60Hz | PCB 3-step | incl. PS | phase-cut dim | incl. shading flaps

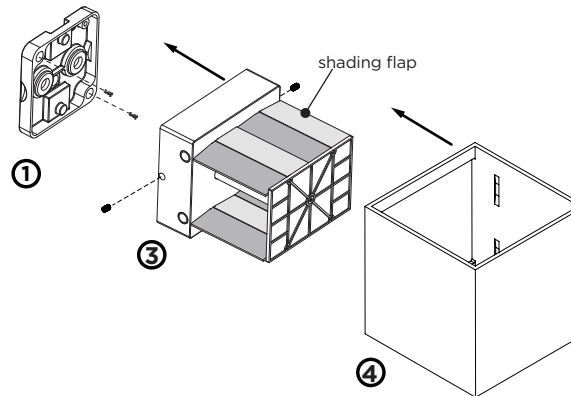
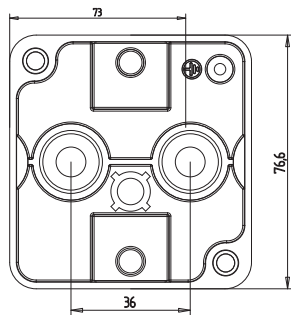
CE IP20 0.3m

white texture 912188W_
black texture 912188B_

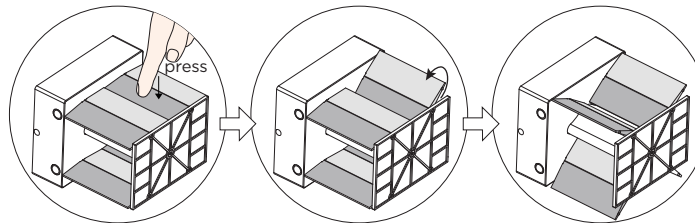
LIGHT COLOUR

2700K | >80CRI | 2x200lm 2
3000K | >80CRI | 2x220lm 4
1800-2850K | >80CRI | 2x200lm 9

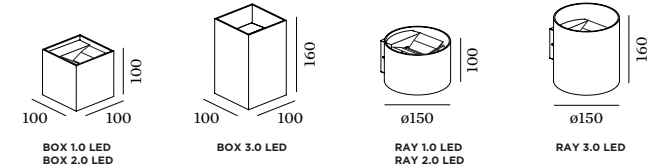
base plate dimensions



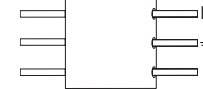
The beam angle is adjustable:




DIMENSIONS

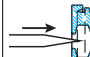


MOUNTING INSTRUCTION

- Remove the base plate from the LED INSET and fix the base plate to the wall with screws
- POWER CONNECTION**

- Fix the LED INSET to the base plate.
- Fix the cover to the LED INSET.

The light source of the integrated LED is not replaceable;
When the light source reaches its end of life the whole luminaire shall be replaced.

 Caution, risk of electric shock

	A	B	C
 use appropriate tool			
CABLE			
TYPE	ROUND H05RN-F H07RN8-F H07RN-F	ROUND H05RN-F	ROUND
OUTSIDE Ø	min 6.8mm max 8.9mm	min 5mm max 6.8mm	min 1.5mm max 2.6mm
CONDUCTION SECTION	2or3x 0.75mm ² 2or3x 1.0mm ² 2or3x 1.5mm ²	2or3x 0.75mm ² 2x 1.0mm ²	0.75mm ² 1.5mm ²

LED MODULE

for BOX/RAY Wall Exterior

08-May-2017

1.0 / 3.0 LED
LED 6W | 220-240VAC | 50-60Hz | PCB 3-step | incl. PS | phase-cut dim | incl. shading flaps
 CE \oplus IP65 \square 0,3m \square \triangle ∇

white texture	912198W_
dark grey texture	912198D_
black texture	912198B_

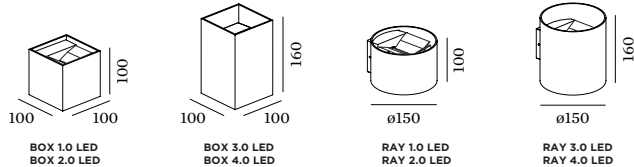
LIGHT COLOUR
 2700K | >80CRI | 400lm 2
 3000K | >80CRI | 440lm 4

2.0 / 4.0 LED
LED 2x LED 3W | 220-240VAC | 50-60Hz | PCB 3-step | incl. PS | phase-cut dim | incl. shading flaps
 CE \oplus IP65 \square 0,3m \square \times

white texture	912208W_
dark grey texture	912208D_
black texture	912208B_

LIGHT COLOUR
 2700K | >80CRI | 2x200lm 2
 3000K | >80CRI | 2x220lm 4

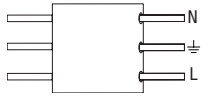
DIMENSIONS



MOUNTING INSTRUCTION

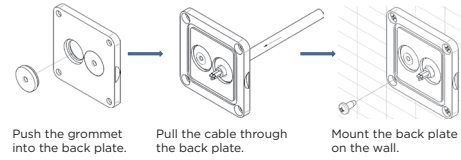
① Remove the base plate from the LED INSET and fix the base plate to the wall with screws

② POWER CONNECTION

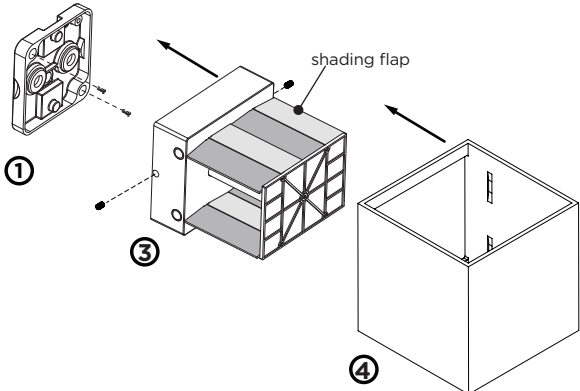


Exterior: WATERPROOF Connection

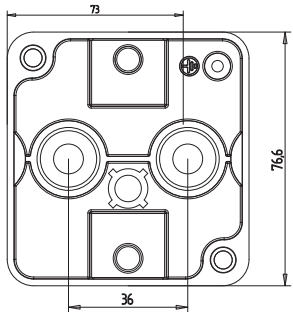
IP-rated connections for wall fixtures: cable isolation for round cables ø 4.5-7.5 mm, should be in the grommet. For cable use ø 7.0-9.5 mm: replace the grommet with the other grommet in the bag.



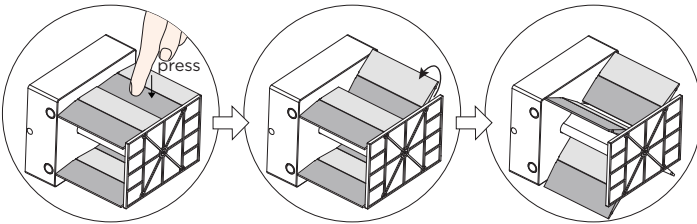
③ Fix the LED INSET to the base plate.
 ④ Fix the cover to the LED INSET.



base plate dimensions



The beam angle is adjustable:



	A	B	C
CABLE			
TYPE	ROUND H05RN-F H07RN8-F H07RN-F	ROUND H05RN-F	ROUND
OUTSIDE Ø	min 6.8mm max 8.9mm	min 5mm max 6.8mm	min 1.5mm max 2.6mm
CONDUCTION SECTION	2or3x 0.75mm ² 2or3x 1.0mm ² 2or3x 1.5mm ²	2or3x 0.75mm ² 2x 1.0mm ²	0.75mm ² 1.5mm ²

The light source of the integrated LED is not replaceable; When the light source reaches its end of life the whole luminaire shall be replaced.

Caution, risk of electric shock