

## FINESTRA Wall fixture

**Description**

Wall light for outdoor use.

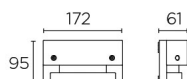
For uplighting. Includes filters to emulate warm light. Includes 4 coloured filters: yellow, red, green and blue. Cable meters included: 1.5. Structure material: High purity aluminium. Structure finish: Grey. Blades finishes: NA. Diffuser material: Polycarbonate. Diffuser finish: Transparent. UV protection. Warranty: 5 Years.

**Finish**

Grey  
Transparent  
NA

**Material**

High purity aluminium  
Polycarbonate

**TECHNICAL CHARACTERISTICS****Light source**

Light source: LED CREE  
Output (W): 4.2W  
Total power consumption (W): 5.4W  
Color temperature: LED neutral-white  
4000K  
CRI: 75  
Photobiological risk: RG2  
Real Lumen: 281  
Qty Leds: 2  
Lm/Real W: 52  
Life Time: 50.000h L80B20  
Bin / Grup: 5A3 o 5D2  
MacAdam steps: 3

**GEAR**

Brand: EAGLERISE  
Gear included: Yes, electronic  
Voltage / Frequency: 100-240 VAC  
Power Factor: 0.82

**Luminaire**

Double cable exit: No  
Drainage: No  
Cable meters included: 1.5  
Uv Protection: Yes  
Warranty: 5 Years

**Logistics**

Energy Efficiency: LED A++  
EAN Code: 8435381449933  
Net Weight (Kg): 0.635  
Weight in Kg (packaged): 0.750  
Packing: 180 x 150 x 60  
Masterbox: 12

The photograph may not match the reference exactly. Please read the product description to identify the finish.

**Luminaire**

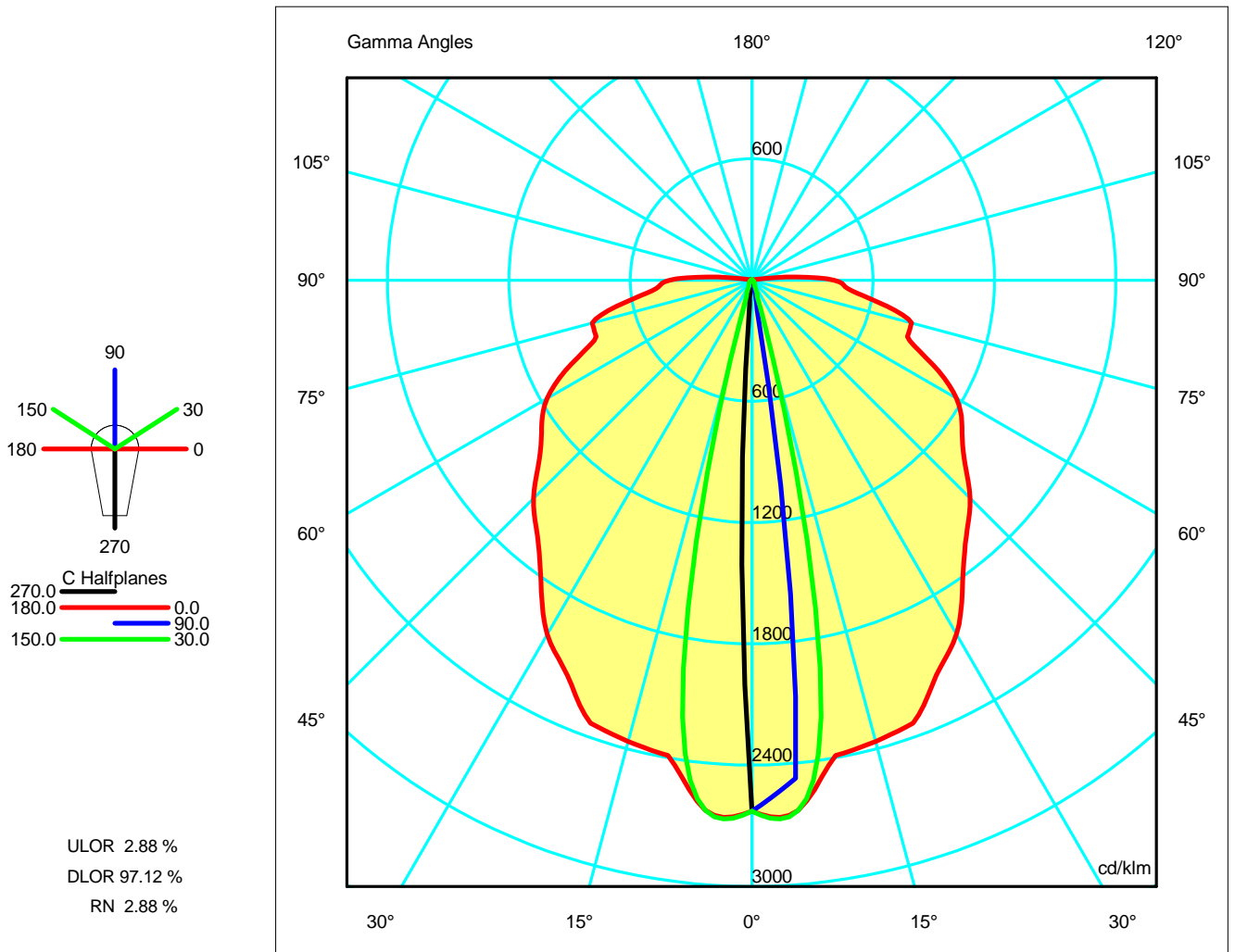
Code 10-9903-34-CMV1  
 Name Portatil FINESTRA 2 leds 4.2W

**Measur.**

Code 10-9903-34-CMV1  
 Name Portatil FINESTRA 2 leds 4.2W

Luminaire Flux	280.71 lm	Luminaire Power	4.00 W	Efficacy	70.18 lm/W	Efficiency	100.00%
Lamps Flux	280.72 lm	Maximum value	2633.00 cd/klm	Position	C=30.00 G=5.00	CG Sym. on planes	270-90
Rectangular Luminaire		Length	95 mm	Width	173 mm	Height	45 mm
Rectangular Luminous Area		Length	17 mm	Width	173 mm	Height	27 mm
Horizontal Luminous Area	0.002941 m2	Emitting area on Plane 180°					0.000476 m2
Emitting area on Plane 0°	0.000476 m2	Emitting area on Plane 270°					0.004844 m2
Emitting area on Plane 90°	0.004844 m2	Glare area at 76°					0.001173 m2
Coordinate system	CG Roads	Symmetry Type				Sym. on planes	270-90
Date	21-08-2017	Maximum Gamma Angle					180
Measurement Distance	0.00	Measurement Flux					280.72 lm
Operator	LEDS	Source Voltage [V]					
Temperature	25.00 °C	Source current [A]					
Humidity	60.00 %	Photocell					
Notes							

Line	Code	Luminaire Lamps Name	Flux [lm]	Pow. [W]	Q.ty
	10-9903-34-CMV1	10-9903-34-CMV1	280.72	4.00	1
C.I.E.	59 79 92 97 100	D DIN 5040	A41		



**Luminaire**

Code 10-9903-34-CMV1  
Name Portatil FINESTRA 2 leds 4.2W

**Measurerm.**

Code 10-9903-34-CMV1  
Name Portatil FINESTRA 2 leds 4.2W

Luminaire Flux	280.71 lm	Luminaire Power	4.00 W	Efficacy	70.18 lm/W	Efficiency	100.00%
Lamps Flux	280.72 lm	Maximum value	2633.00 cd/klm	Position	C=30.00 G=5.00	CG	Sym. on planes 270-90

**Luminous Intensity Table cd/klm Table 1/1**

	C 270.00	C 285.00	C 300.00	C 315.00	C 330.00	C 345.00	C 0.00	C 15.00	C 30.00	C 45.00	C 60.00	C 75.00	C 90.00
G 0.0	2626.91	2626.91	2626.91	2626.91	2626.91	2626.91	2626.91	2626.91	2626.91	2626.91	2626.91	2626.91	2626.91
G 5.0	123.96	1658.67	319.96	2436.97	1984.32	2582.18	2632.27	2570.47	2633.00	2138.66	2560.34	932.89	2473.99
G 10.0	38.56	54.15	44.31	127.27	295.97	2246.11	2388.52	2240.02	1949.66	174.66	243.73	46.07	146.36
G 15.0	26.75	31.67	29.82	43.73	61.08	1536.48	2363.43	2189.69	410.33	38.27	35.93	28.80	32.52
G 20.0	19.57	23.89	22.78	30.79	38.58	654.73	2331.69	1478.00	77.59	28.51	26.92	21.09	24.48
G 25.0	14.08	16.50	16.38	24.95	30.24	179.23	2157.64	627.67	35.28	22.79	19.57	14.96	16.21
G 30.0	11.91	12.87	12.39	19.35	24.63	85.23	2023.27	180.62	29.11	17.13	14.54	12.00	12.88
G 35.0	9.73	10.63	10.78	14.32	20.14	55.20	1817.60	98.99	23.19	13.24	11.60	9.90	10.59
G 40.0	10.64	8.74	8.79	11.50	16.64	39.10	1649.61	58.86	19.68	10.85	9.80	10.62	10.74
G 45.0	7.59	9.25	7.59	9.65	13.15	29.30	1525.05	41.15	16.00	9.23	8.08	7.76	8.46
G 50.0	6.37	6.75	6.40	7.88	10.74	22.05	1369.71	26.62	13.26	7.33	7.16	6.69	7.34
G 55.0	5.62	5.75	5.17	6.12	8.50	17.85	1268.19	18.66	9.36	5.79	6.01	5.54	6.41
G 60.0	4.84	4.72	3.62	4.86	5.89	14.55	1168.12	13.77	6.69	4.65	4.55	4.70	5.50
G 65.0	3.59	3.85	2.88	4.03	3.97	11.88	984.77	10.44	4.82	3.25	3.52	3.64	4.58
G 70.0	3.16	3.11	2.51	2.93	3.22	9.20	818.11	8.03	3.52	2.43	2.83	3.09	3.83
G 75.0	2.42	2.54	1.98	2.14	2.48	7.46	816.69	6.56	2.82	1.96	2.37	2.31	2.90
G 80.0	1.80	1.91	1.68	1.69	1.97	6.24	637.00	5.43	2.22	1.61	1.99	1.78	2.13
G 85.0	1.22	1.39	1.22	1.37	1.59	5.00	475.35	4.52	1.75	1.00	1.30	1.18	1.22
G 90.0	1.22	1.24	1.08	1.00	1.44	4.15	407.30	3.73	1.36	0.92	1.15	1.15	1.06
G 95.0	1.22	1.22	1.07	0.99	1.44	3.45	168.85	2.43	1.36	0.92	1.15	1.15	1.06
G100.0	1.12	1.15	1.07	1.07	1.51	2.19	3.35	2.13	1.36	0.93	1.15	1.15	1.06
G105.0	1.06	1.15	1.07	1.07	1.51	2.07	2.58	2.21	1.51	1.04	1.13	1.07	1.06
G110.0	1.22	1.15	1.07	1.15	1.67	1.98	1.88	1.83	1.51	1.14	1.07	1.12	1.25
G115.0	1.22	1.15	1.14	1.30	1.82	1.83	1.88	1.90	1.67	1.30	1.09	1.07	1.06
G120.0	1.22	1.15	1.29	1.45	1.82	1.98	2.03	1.98	1.77	1.45	1.15	1.19	1.22
G125.0	1.22	1.22	1.42	1.63	1.97	2.05	2.09	2.13	1.93	1.67	1.30	1.22	1.22
G130.0	1.30	1.39	1.68	1.83	2.12	2.21	2.24	2.29	2.04	1.83	1.55	1.52	1.22
G135.0	1.92	1.76	1.95	1.99	2.27	2.36	2.33	2.51	2.19	2.06	1.76	1.89	1.59
G140.0	2.58	2.23	2.21	2.25	2.42	2.51	2.48	2.79	2.43	2.28	2.11	2.36	2.24
G145.0	2.74	2.62	2.52	2.45	2.65	2.66	2.55	2.90	2.57	2.45	2.34	2.68	2.58
G150.0	2.89	2.83	2.80	2.65	2.80	2.74	2.70	2.98	2.80	2.73	2.68	2.83	2.74
G155.0	3.04	3.00	3.04	2.90	2.95	2.82	2.78	2.98	3.02	2.98	2.94	2.98	2.89
G160.0	3.19	3.21	3.21	3.06	3.10	2.82	2.78	2.98	3.25	3.42	3.15	3.14	3.04
G165.0	3.34	3.36	3.28	3.28	3.11	2.82	2.93	2.98	3.27	3.59	3.54	3.60	3.34
G170.0	3.34	3.40	3.30	3.36	3.10	2.94	3.00	3.05	3.13	3.44	3.59	3.67	3.65
G175.0	2.89	3.23	3.07	3.28	3.18	3.05	3.00	3.08	3.13	3.32	3.26	3.30	3.34
G180.0	2.28	2.68	2.99	3.21	3.18	3.05	3.00	3.05	3.18	3.21	2.99	2.68	2.28

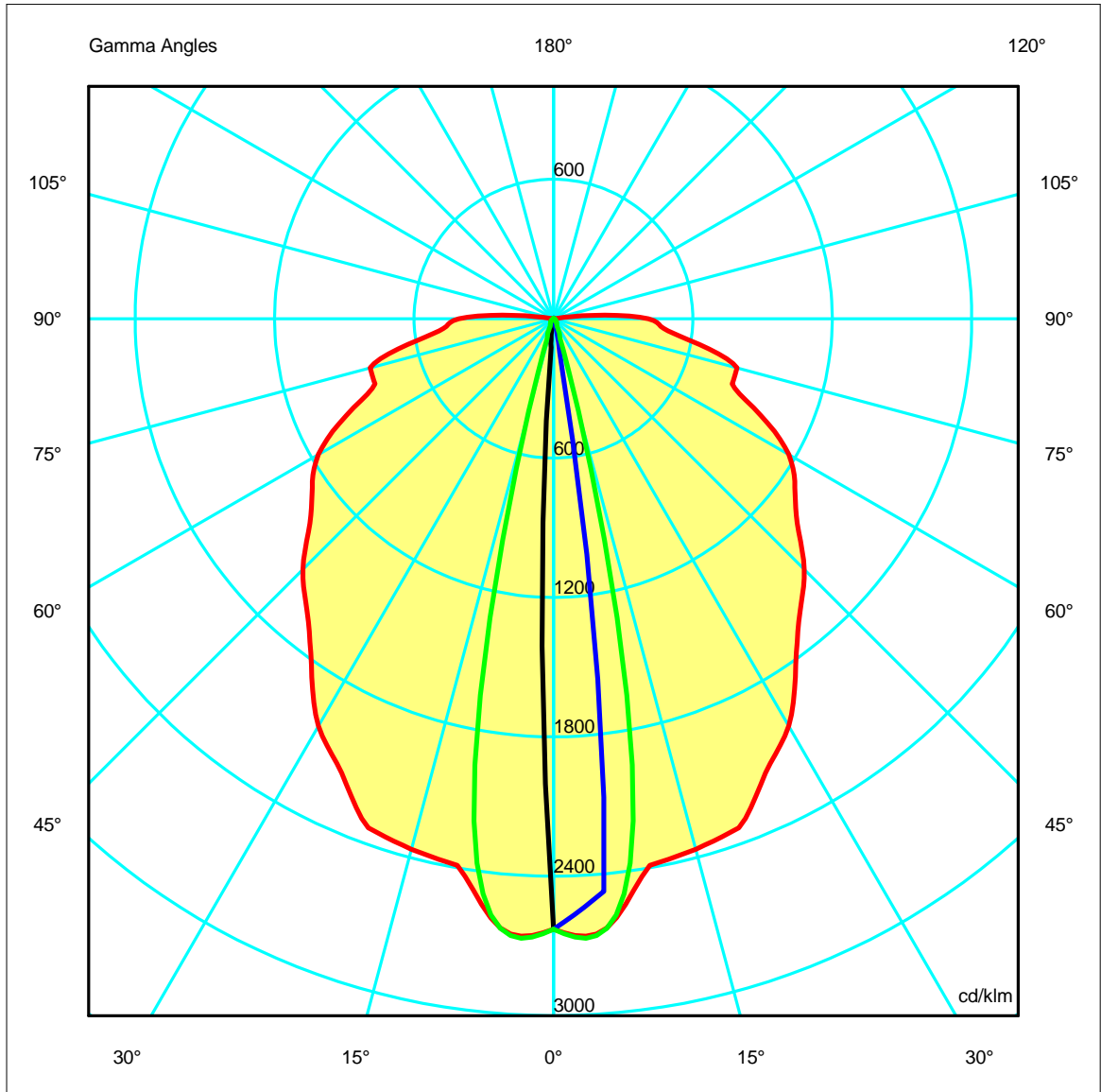
**Luminaire**

Code 10-9903-34-CMV1  
 Name Portatil FINESTRA 2 leds 4.2W

**Measurerm.**

Code 10-9903-34-CMV1  
 Name Portatil FINESTRA 2 leds 4.2W

Luminaire Flux	280.71 lm	Luminaire Power	4.00 W	Efficacy	70.18 lm/W	Efficiency	100.00%
Lamps Flux	280.72 lm	Maximum value	2633.00 cd/klm	Position	C=30.00 G=5.00	CG	Sym. on planes 270-90



**Luminaire**

Code 10-9903-34-CMV1  
 Name Portatil FINESTRA 2 leds 4.2W

**Measur.**

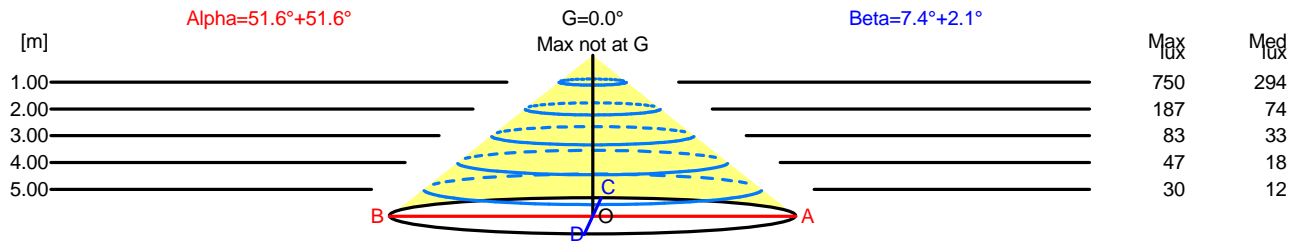
Code 10-9903-34-CMV1  
 Name Portatil FINESTRA 2 leds 4.2W

Luminaire Flux	280.71 lm	Luminaire Power	4.00 W	Efficacy	70.18 lm/W	Efficiency	100.00%
Lamps Flux	280.72 lm	Maximum value	2633.00 cd/klm	Position	C=30.00 G=5.00	CG	Sym. on planes 270-90

Width at 50.00 % of Max Intensity

H[m]	1.00	2.00	3.00	4.00	5.00	H[m]	1.00	2.00	3.00	4.00	5.00
OA	1.26	2.52	3.79	5.05	6.31	OC	0.13	0.26	0.39	0.52	0.65
OB	1.26	2.52	3.79	5.05	6.31	OD	0.04	0.08	0.11	0.15	0.19

	Luminous Intensities [ cd/klm]									
	0	5	15	25	35	45	55	65	75	85
OA	737.43	738.93	663.46	605.69	510.24	428.11	356.01	276.45	229.26	133.44
OB	737.43	738.93	663.46	605.69	510.24	428.11	356.01	276.45	229.26	133.44
OC	737.43	694.50	9.13	4.55	2.97	2.37	1.80	1.29	0.81	0.34
OD	737.43	34.80	7.51	3.95	2.73	2.13	1.58	1.01	0.68	0.34



H[m]	D[m]	Max lux	Med lux	Alpha=51.6°+51.6°	G=0.0 Max not at G	
1.00	2.52	750	294			
2.00	5.05	187	74			
3.00	7.57	83	33			
4.00	10.10	47	18			
5.00	12.62	30	12			

H[m]	D[m]	Max lux	Med lux	Beta=2.1°+7.4°	G=0.0 Max not at G	
1.00	0.17	750	294			
2.00	0.34	187	74			
3.00	0.50	83	33			
4.00	0.67	47	18			
5.00	0.84	30	12			

**Luminaire**

Code 10-9903-34-CMV1  
Name Portatil FINESTRA 2 leds 4.2W

**Measurement**

Code 10-9903-34-CMV1  
Name Portatil FINESTRA 2 leds 4.2W

Luminaire Flux	280.71 lm	Luminaire Power	4.00 W	Efficacy	70.18 lm/W	Efficiency	100.00%
Lamps Flux	280.72 lm	Maximum value	2633.00 cd/klm	Position	C=30.00 G=5.00	CG	Sym. on planes 270-90

**UGR**  
S = 0.250

Reflectancies										
Ceiling/Cavity	0.7	0.7	0.5	0.5	0.3	0.7	0.7	0.5	0.5	0.3
Walls	0.5	0.3	0.5	0.3	0.3	0.5	0.3	0.5	0.3	0.3
WorkingPlane	0.2	0.2	0.2	0.2	0.2	0.2	0.2	0.2	0.2	0.2
RoomDimensions	ViewedCrosswise					ViewedEndwise				
x=2H y=2H	30.5	31.7	30.8	31.9	< 0	< 0	< 0	< 0	< 0	< 0
x=2H y=3H	33.3	34.4	33.7	34.7	< 0	< 0	< 0	< 0	< 0	< 0
x=2H y=4H	35.1	36.1	35.5	36.5	< 0	< 0	< 0	< 0	< 0	< 0
x=2H y=6H	37.0	37.9	37.4	38.3	< 0	< 0	< 0	< 0	< 0	< 0
x=2H y=8H	37.8	38.7	38.2	39.1	< 0	< 0	< 0	< 0	< 0	< 0
x=2H y=12H	38.6	39.5	39.0	39.9	< 0	< 0	< 0	< 0	< 0	< 0
x=4H y=2H	30.2	31.2	30.6	31.6	< 0	< 0	< 0	< 0	< 0	< 0
x=4H y=3H	33.0	33.9	33.5	34.3	< 0	< 0	< 0	< 0	< 0	< 0
x=4H y=4H	34.9	35.6	35.3	36.1	0.3	< 0	< 0	< 0	< 0	0.3
x=4H y=6H	36.8	37.4	37.2	37.9	0.8	< 0	< 0	< 0	0.3	0.8
x=4H y=8H	37.6	38.3	38.1	38.7	0.9	< 0	0.0	< 0	0.5	0.9
x=4H y=12H	38.6	39.1	39.1	39.6	1.1	< 0	0.1	0.0	0.6	1.1
x=8H y=4H	34.8	35.4	35.2	35.8	0.7	< 0	< 0	< 0	0.2	0.7
x=8H y=6H	36.6	37.2	37.1	37.6	1.2	< 0	0.2	0.2	0.7	1.2
x=8H y=8H	37.5	38.0	38.0	38.5	1.4	< 0	0.4	0.5	0.9	1.4
x=8H y=12H	38.4	38.9	39.0	39.4	1.6	0.2	0.6	0.7	1.1	1.6
x=12H y=4H	34.7	35.3	35.2	35.8	0.8	< 0	< 0	< 0	0.3	0.8
x=12H y=6H	36.6	37.1	37.1	37.6	1.4	< 0	0.3	0.4	0.8	1.4
x=12H y=8H	37.5	37.9	38.0	38.4	1.6	0.1	0.5	0.7	1.1	1.6

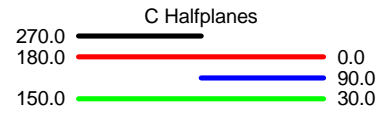
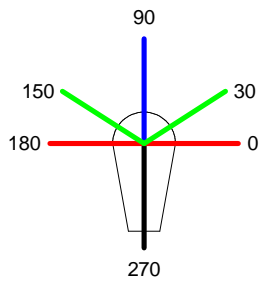
**Luminaire**

Code 10-9903-34-CMV1  
 Name Portatil FINESTRA 2 leds 4.2W

**Measur.**

Code 10-9903-34-CMV1  
 Name Portatil FINESTRA 2 leds 4.2W

Luminaire Flux	280.71 lm	Luminaire Power	4.00 W	Efficacy	70.18 lm/W	Efficiency	100.00%
Lamps Flux	280.72 lm	Maximum value	2633.00 cd/klm	Position	C=30.00 G=5.00	CG	Sym. on planes 270-90



**Luminaire**

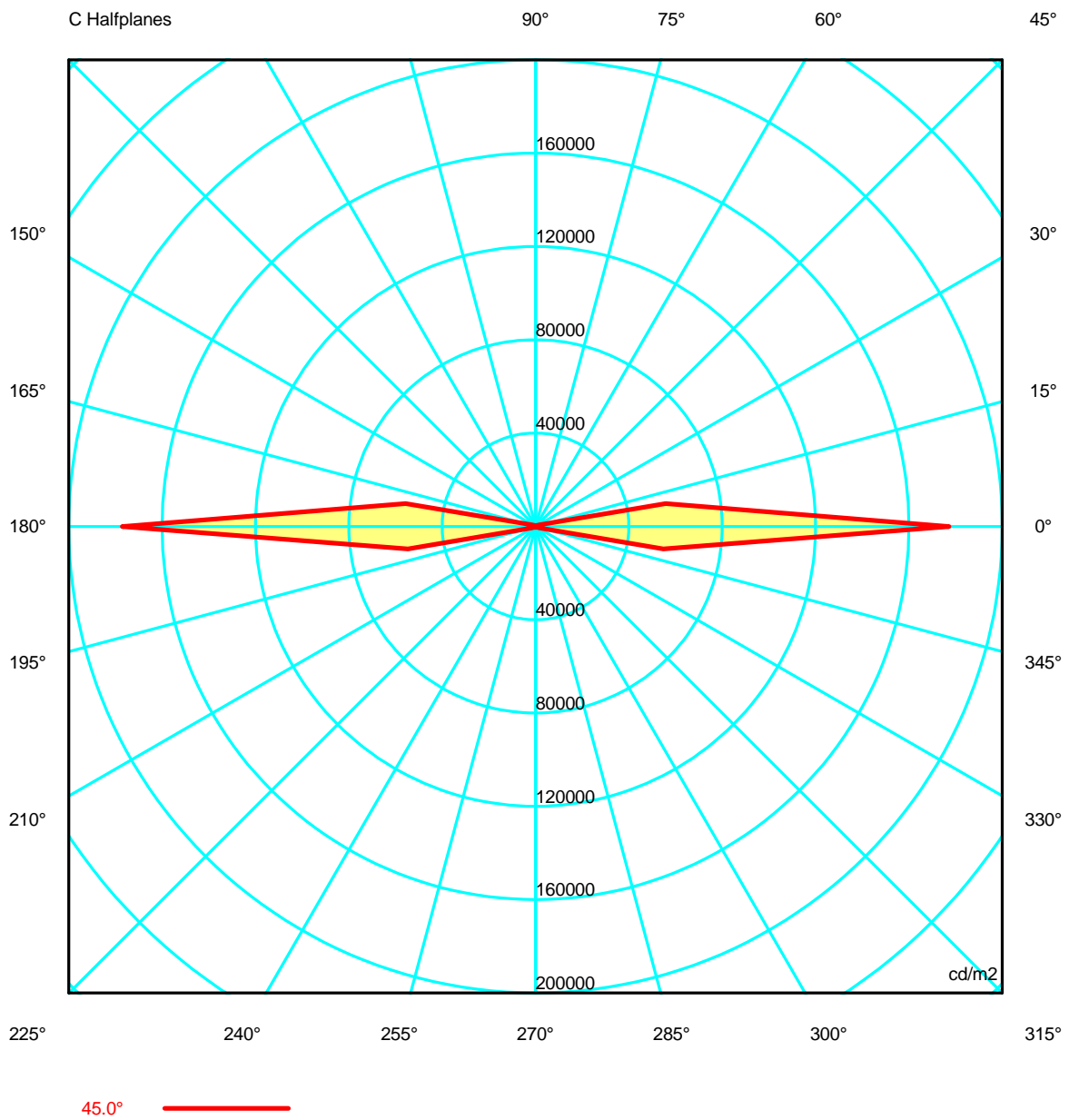
Code 10-9903-34-CMV1  
 Name Portatil FINESTRA 2 leds 4.2W

**Measur.**

Code 10-9903-34-CMV1  
 Name Portatil FINESTRA 2 leds 4.2W

Luminaire Flux	280.71 lm	Luminaire Power	4.00 W	Efficacy	70.18 lm/W	Efficiency	100.00%
Lamps Flux	280.72 lm	Maximum value	2633.00 cd/klm	Position	C=30.00 G=5.00	CG	Sym. on planes 270-90

Luminance





**Luminaire**

Code 10-9903-34-CMV1  
Name Portatil FINESTRA 2 leds 4.2W

**Measur.**

Code 10-9903-34-CMV1  
Name Portatil FINESTRA 2 leds 4.2W

Luminaire Flux	280.71 lm	Luminaire Power	4.00 W	Efficacy	70.18 lm/W	Efficiency	100.00%
Lamps Flux	280.72 lm	Maximum value	2633.00 cd/klm	Position	C=30.00 G=5.00	CG	Sym. on planes 270-90

**Luminance cd/m2 Table 1/3**

	C 0.00	C 10.00	C 20.00	C 30.00	C 40.00	C 50.00	C 60.00	C 70.00	C 80.00	C 90.00	C 100.00	C 110.00	C 120.00
G 0.0	250739.80	250739.80	250739.80	250739.80	250739.80	250739.80	250739.80	250739.80	250739.80	250739.80	250739.80	250739.80	250739.80
G 5.0	248689.85	238952.33	233661.96	232664.87	200009.17	201132.08	216737.08	114699.39	89590.19	207189.92	89590.19	114699.39	216737.08
G 10.0	225078.78	201130.78	184459.28	161520.37	54923.11	15441.55	18663.05	8459.85	2025.59	10993.15	2025.59	8459.85	18663.05
G 15.0	223840.99	216553.82	136057.80	32226.47	12177.91	2712.02	2528.82	1998.24	2029.26	2229.81	2029.26	1998.24	2528.82
G 20.0	223668.20	174484.54	74033.57	5834.97	3186.17	1898.38	1765.86	1477.47	1480.58	1554.49	1480.58	1477.47	1765.86
G 25.0	211292.12	113259.81	18073.01	2563.45	1608.94	1418.84	1210.12	969.42	879.23	965.69	879.23	969.42	1210.12
G 30.0	203940.89	78844.63	10149.11	2061.79	1383.49	1002.43	857.11	735.28	693.83	727.91	693.83	735.28	857.11
G 35.0	190234.22	67462.78	5723.42	1613.64	1055.19	755.98	657.88	574.65	547.55	572.96	547.55	574.65	657.88
G 40.0	180967.01	60377.38	3566.03	1355.73	862.66	609.80	539.41	549.72	556.97	561.99	556.97	549.72	609.80
G 45.0	177185.71	56561.03	2578.67	1099.87	710.45	504.75	434.75	407.97	407.23	431.33	407.23	407.97	504.75
G 50.0	170507.07	52008.93	1776.67	916.73	573.71	411.08	380.15	349.27	345.73	368.00	345.73	349.27	411.08
G 55.0	171419.71	50061.86	1280.50	655.44	431.79	330.55	317.22	288.21	289.04	318.15	289.04	288.21	317.22
G 60.0	174170.34	48601.19	972.65	478.42	333.66	261.71	240.39	235.05	245.89	272.76	245.89	235.05	240.39
G 65.0	165108.92	43823.60	763.52	355.26	241.19	192.13	187.90	183.20	196.75	228.40	196.75	183.20	187.90
G 70.0	158040.22	39503.31	613.88	269.14	183.27	150.44	153.72	155.10	168.24	193.41	168.24	155.10	153.72
G 75.0	187770.33	43397.98	534.14	226.46	153.20	126.97	132.09	123.17	129.20	149.65	129.20	123.17	132.09
G 80.0	182568.25	38125.96	473.89	188.97	129.23	108.96	114.40	100.67	100.57	113.13	100.57	100.67	114.40
G 85.0	182666.86	32873.85	429.67	159.87	94.15	72.33	78.14	69.32	65.89	67.18	65.89	69.32	78.14
G 90.0	240206.73	33555.82	392.68	134.98	86.01	69.47	72.68	68.28	64.72	61.67	64.72	68.28	72.68

**Luminaire**

Code 10-9903-34-CMV1  
 Name Portatil FINESTRA 2 leds 4.2W

**Measurerm.**

Code 10-9903-34-CMV1  
 Name Portatil FINESTRA 2 leds 4.2W

Luminaire Flux	280.71 lm	Luminaire Power	4.00 W	Efficacy	70.18 lm/W	Efficiency	100.00%
Lamps Flux	280.72 lm	Maximum value	2633.00 cd/klm	Position	C=30.00 G=5.00	CG	Sym. on planes 270-90

**Luminance cd/m2 Table 2/3**

	C 130.00	C 140.00	C 150.00	C 160.00	C 170.00	C 180.00	C 190.00	C 200.00	C 210.00	C 220.00	C 230.00	C 240.00	C 250.00
G 0.0	250739.80	250739.80	250739.80	250739.80	250739.80	250739.80	250739.80	250739.80	250739.80	250739.80	250739.80	250739.80	250739.80
G 5.0	201132.08	200009.17	232664.87	233661.96	238952.33	248689.85	239672.55	208128.34	175344.06	198502.41	148731.61	27085.46	99916.52
G 10.0	15441.55	54923.11	161520.37	184459.28	201130.78	225078.78	206113.25	141023.51	24519.77	14716.71	10717.00	3392.85	3843.80
G 15.0	2712.02	12177.91	32226.47	136057.80	216553.82	223840.99	170077.39	83374.96	4796.99	3715.25	2828.13	2099.23	2146.56
G 20.0	1898.38	3186.17	5834.97	74033.57	174484.54	223668.20	110873.20	22089.14	2901.26	2370.58	2113.07	1494.32	1508.78
G 25.0	1418.84	1608.94	2563.45	18073.01	113259.81	211292.12	78468.78	10232.28	2197.67	1813.43	1421.41	1012.77	991.72
G 30.0	1002.43	1383.49	2061.79	10149.11	78844.63	203940.89	71460.76	5072.50	1744.29	1382.60	1049.47	730.26	727.67
G 35.0	755.98	1055.19	1613.64	5723.42	67462.78	190234.22	64042.81	3377.99	1401.11	1036.21	782.44	610.88	586.23
G 40.0	609.80	862.66	1355.73	3566.03	60377.38	180967.01	58826.05	2461.57	1146.72	826.36	615.23	483.72	465.35
G 45.0	504.75	710.45	1099.87	2578.67	56561.03	177185.71	55618.87	1882.15	904.21	669.00	511.43	408.67	451.04
G 50.0	411.08	573.71	916.73	1776.67	52008.93	170507.07	51656.16	1465.41	742.65	544.49	417.44	339.87	338.49
G 55.0	330.55	431.79	655.44	1280.50	50061.86	171419.71	50005.71	1213.05	595.41	428.02	327.48	272.99	281.30
G 60.0	261.71	333.66	478.42	972.65	48601.19	174170.34	48692.17	994.35	421.25	325.65	252.13	191.60	220.04
G 65.0	192.13	241.19	355.26	763.52	43823.60	165108.92	43992.80	0.00	292.49	256.03	209.60	153.87	179.60
G 70.0	150.44	183.27	269.14	613.88	39503.31	158040.22	39644.44	678.43	246.20	198.64	163.67	136.00	150.31
G 75.0	126.97	153.20	226.46	534.14	43397.98	187770.33	43518.33	582.80	198.86	153.47	126.31	110.46	124.48
G 80.0	108.96	129.23	188.97	473.89	38125.96	182568.25	38246.45	523.58	167.36	126.99	105.85	96.65	99.91
G 85.0	72.33	94.15	159.87	429.67	32873.85	182666.86	32957.43	460.75	144.99	108.96	87.10	73.34	75.73
G 90.0	69.47	86.01	134.98	392.68	33555.82	240206.73	33634.46	433.46	142.55	92.29	71.58	68.47	70.67

**Luminaire**

Code 10-9903-34-CMV1  
Name Portatil FINESTRA 2 leds 4.2W

**Measur.**

Code 10-9903-34-CMV1  
Name Portatil FINESTRA 2 leds 4.2W

Luminaire Flux	280.71 lm	Luminaire Power	4.00 W	Efficacy	70.18 lm/W	Efficiency	100.00%
Lamps Flux	280.72 lm	Maximum value	2633.00 cd/klm	Position	C=30.00 G=5.00	CG	Sym. on planes 270-90

**Luminance cd/m2 Table 3/3**

	C 260.00	C 270.00	C 280.00	C 290.00	C 300.00	C 310.00	C 320.00	C 330.00	C 340.00	C 350.00
G 0.0	250739.80	250739.80	250739.80	250739.80	250739.80	250739.80	250739.80	250739.80	250739.80	250739.80
G 5.0	129335.28	10381.21	129335.28	99916.52	27085.46	148731.61	198502.41	175344.06	208128.34	239672.55
G 10.0	4324.66	2895.86	4324.66	3843.80	3392.85	10717.00	14716.71	24519.77	141023.51	206113.25
G 15.0	2057.69	1834.28	2057.69	2146.56	2099.23	2828.13	3715.25	4796.99	83374.96	170077.39
G 20.0	1493.71	1242.87	1493.71	1508.78	1494.32	2113.07	2370.58	2901.26	22089.14	110873.20
G 25.0	894.26	838.49	894.26	991.72	1012.77	1421.41	1813.43	2197.67	10232.28	78468.78
G 30.0	708.43	672.69	708.43	727.67	730.26	1049.47	1382.60	1744.29	5072.50	71460.76
G 35.0	558.41	526.50	558.41	586.23	610.88	782.44	1036.21	1401.11	3377.99	64042.81
G 40.0	489.83	556.58	489.83	465.35	483.72	615.23	826.36	1146.72	2461.57	58826.05
G 45.0	403.46	387.00	403.46	451.04	408.67	511.43	669.00	904.21	1882.15	55618.87
G 50.0	331.65	319.46	331.65	338.49	339.87	417.44	544.49	742.65	1465.41	51656.16
G 55.0	283.16	279.23	283.16	281.30	272.99	327.48	428.02	595.41	1213.05	50005.71
G 60.0	235.49	239.94	235.49	220.04	191.60	252.13	325.65	421.25	994.35	48692.17
G 65.0	157.75	178.84	157.75	179.60	153.87	209.60	256.03	292.49	0.00	43992.80
G 70.0	157.88	159.85	157.88	150.31	136.00	163.67	198.64	246.20	678.43	39644.44
G 75.0	128.84	124.68	128.84	124.48	110.46	126.31	153.47	198.86	582.80	43518.33
G 80.0	99.53	95.86	99.53	99.91	96.65	105.85	126.99	167.36	523.58	38246.45
G 85.0	73.60	67.18	73.60	75.73	73.34	87.10	108.96	144.99	460.75	32957.43
G 90.0	71.26	70.48	71.26	70.67	68.47	71.58	92.29	142.55	433.46	33634.46

**Luminaire**

Code 10-9903-34-CMV1  
 Name Portatil FINESTRA 2 leds 4.2W

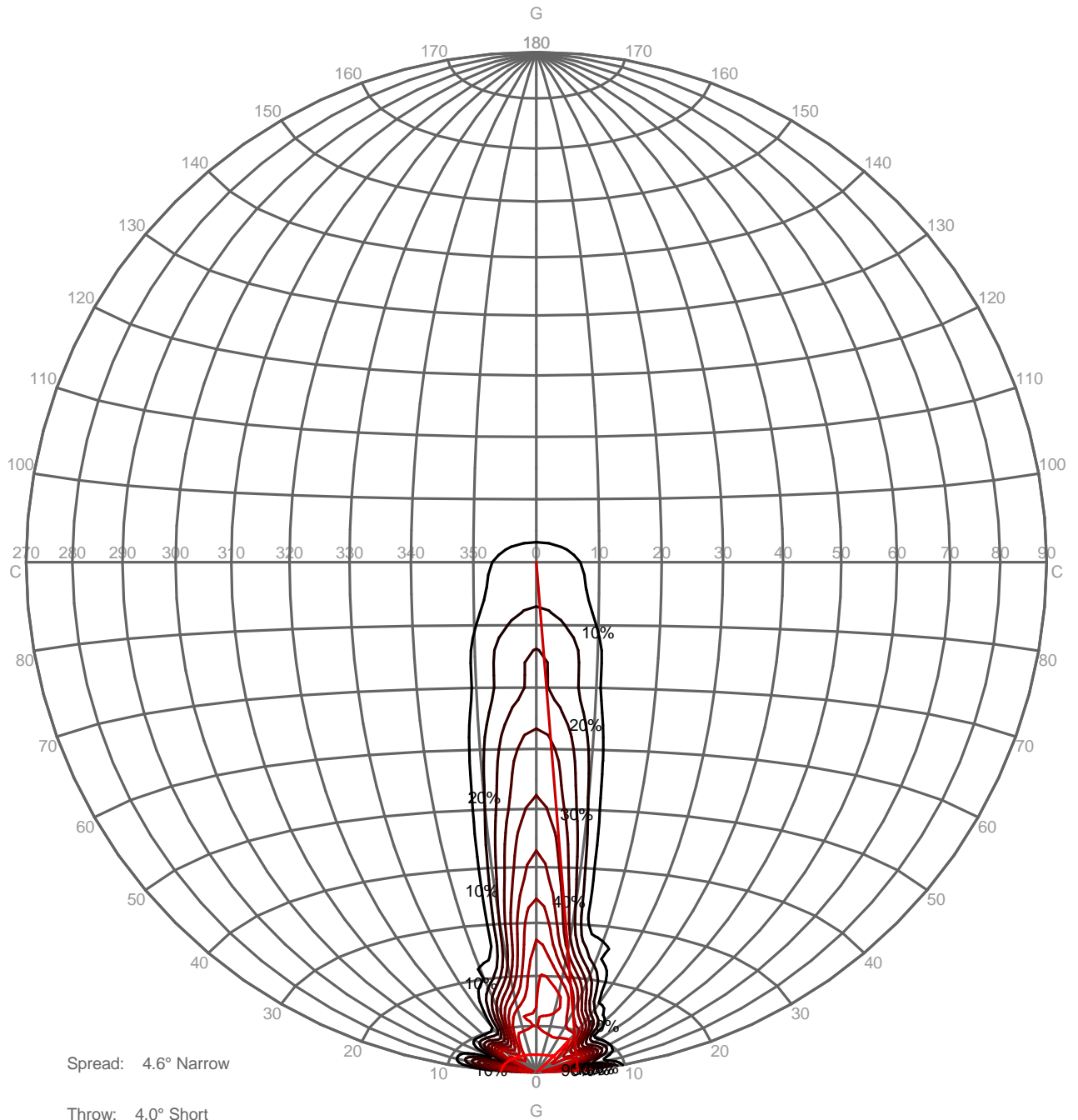
**Measurment**

Code 10-9903-34-CMV1  
 Name Portatil FINESTRA 2 leds 4.2W

Luminaire Flux	280.71 lm	Luminaire Power	4.00 W	Efficacy	70.18 lm/W	Efficiency	100.00%
Lamps Flux	280.72 lm	Maximum value	2633.00 cd/klm	Position	C=30.00 G=5.00	CG	Sym. on planes 270-90

**PERCENTAGE ISOCANDLES**

Projection: Equal Area SLI 3.1 Moderate Tilting Angle:0°



**Luminaire**

Code 10-9903-34-CMV1  
 Name Portatil FINESTRA 2 leds 4.2W

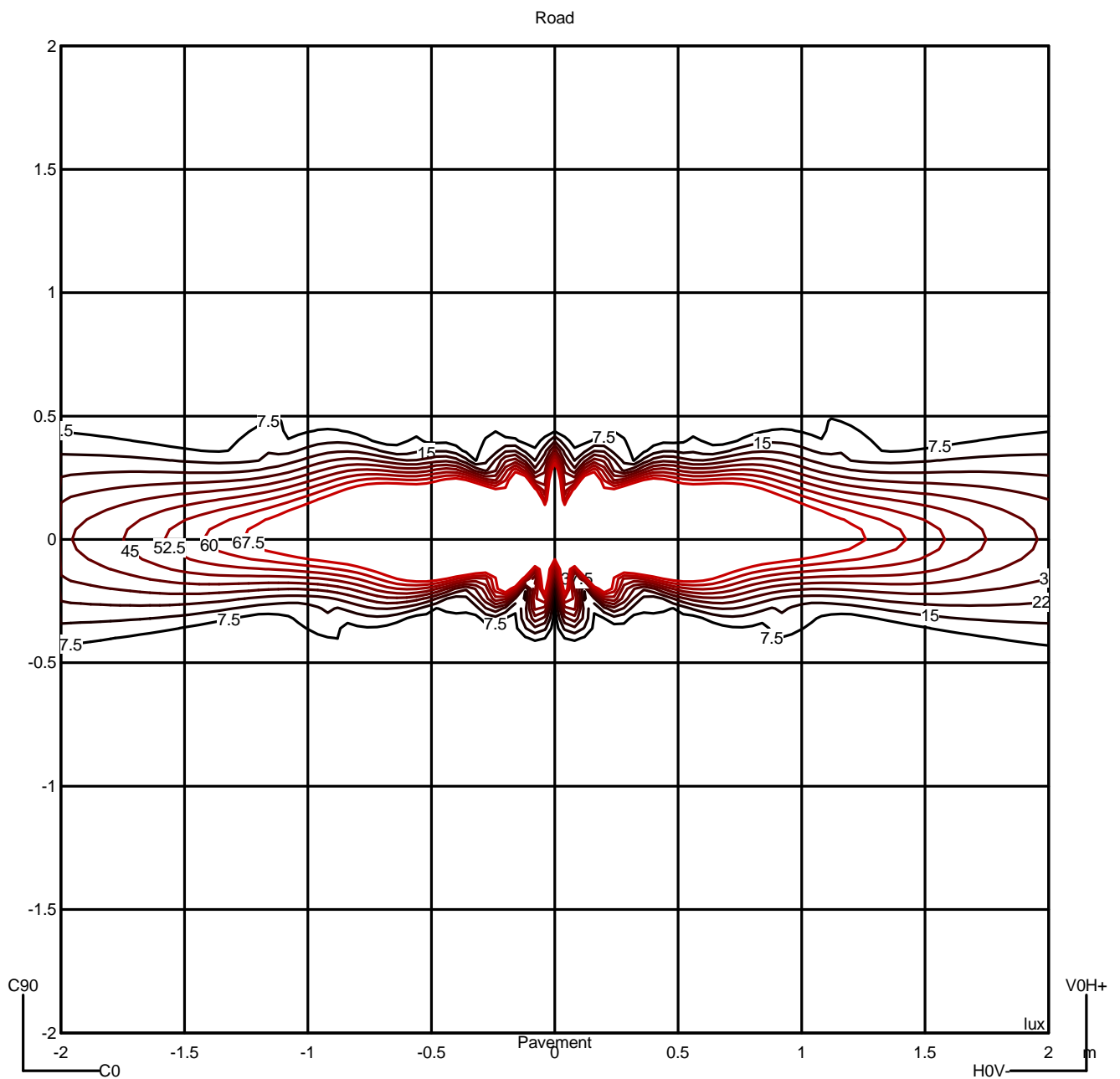
**Measur.**

Code 10-9903-34-CMV1  
 Name Portatil FINESTRA 2 leds 4.2W

Luminaire Flux	280.71 lm	Luminaire Power	4.00 W	Efficacy	70.18 lm/W	Efficiency	100.00%
Lamps Flux	280.72 lm	Maximum value	2633.00 cd/klm	Position	C=30.00 G=5.00	CG	Sym. on planes 270-90

Isolux (Floor)

Luminaire position X=0.00m Y=0.00m Z=2.50m



**Luminaire**

Code 10-9903-34-CMV1  
 Name Portatil FINESTRA 2 leds 4.2W

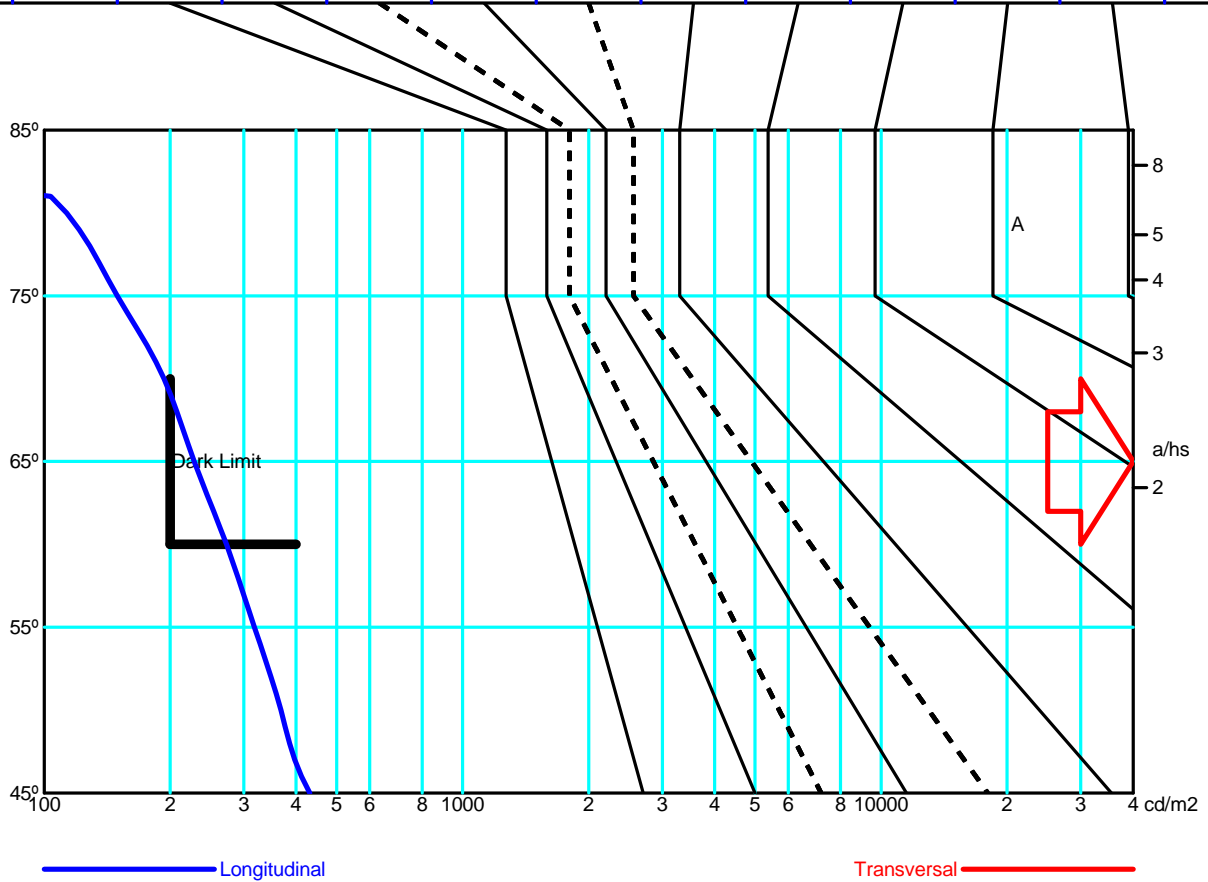
**Measur.**

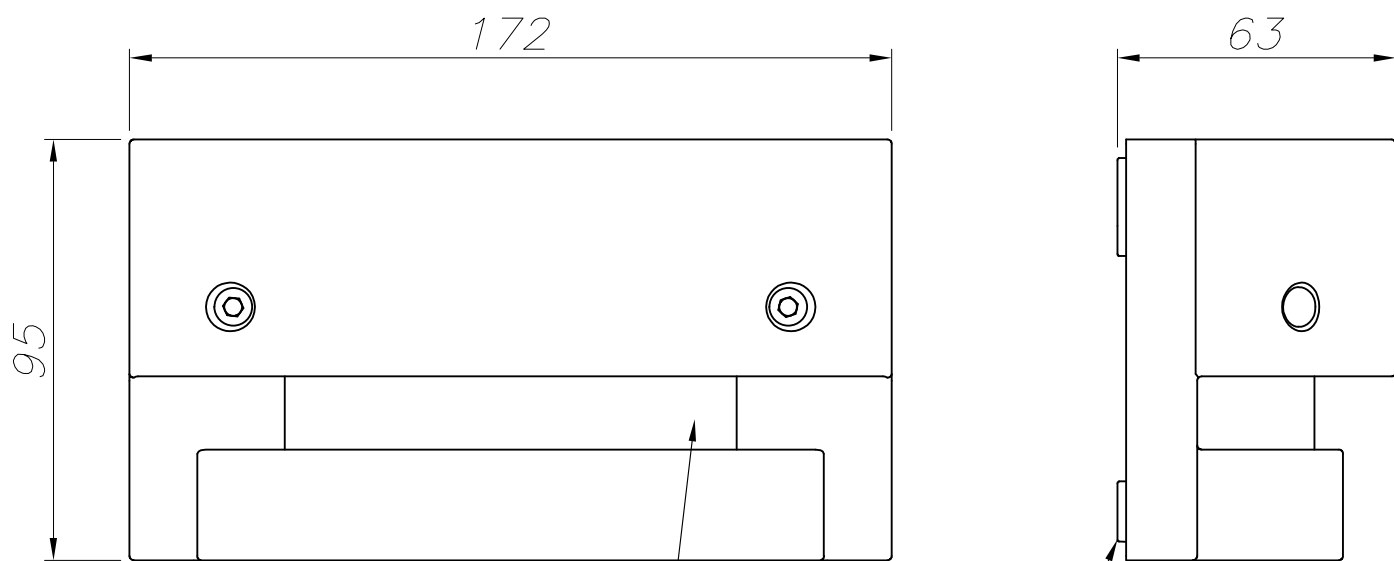
Code 10-9903-34-CMV1  
 Name Portatil FINESTRA 2 leds 4.2W

Luminaire Flux	280.71 lm	Luminaire Power	4.00 W	Efficacy	70.18 lm/W	Efficiency	100.00%
Lamps Flux	280.72 lm	Maximum value	2633.00 cd/klm	Position	C=30.00 G=5.00	CG	Sym. on planes 270-90

Average Luminance [cd/m <sup>2</sup> ]										
0.0°	45°	50°	55°	60°	65°	70°	75°	80°	85°	
177186	170507	171420	174170	165109	158040	187770	182568	182667	---	
90.0°	431	368	318	273	228	193	150	113	67	--

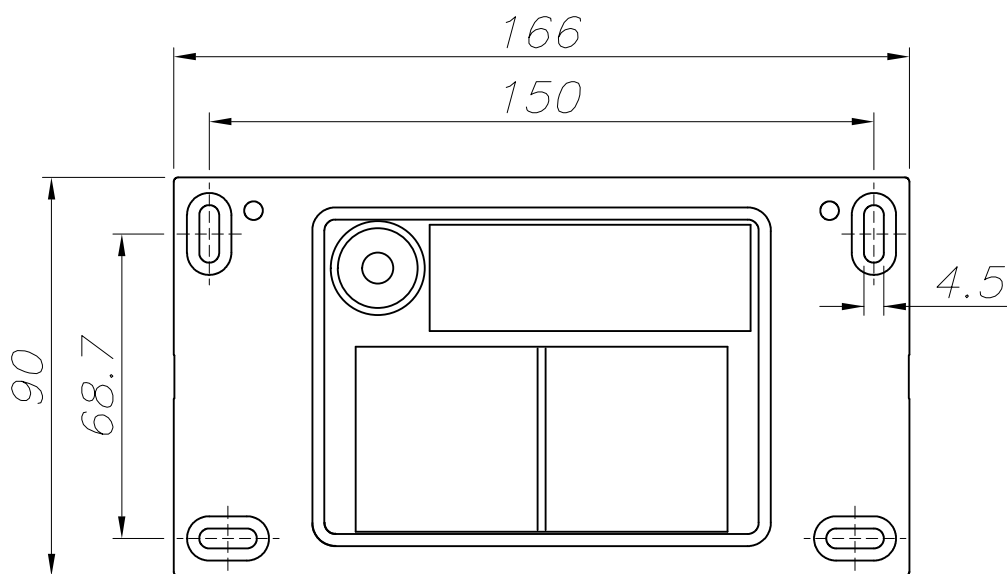
Flush mounted or longitudinal view												
		Illumination(Ix)										
A	A	2000	1000	750	500		<300					1.15
B	1		2000	1500	1000	750	500	<300				1.5
C					2000		1000	500	<300			1.85
D	2						2000	1000	500	<300		2.2
E	3							2000	1000	500	<300	2.55





POLICARBONATO TRANSPARENTE  
 TRANSPARENT POLYCARBONATE

ALUMINIO INYECTADO  
 INJECTED ALUMINIUM



PLANTILLA DE INSTALACIÓN  
 INSTALLATION TEMPLATE

