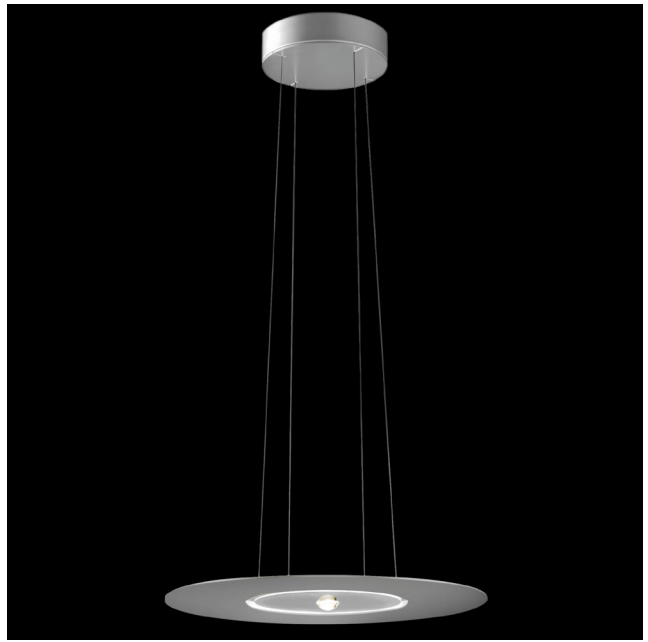
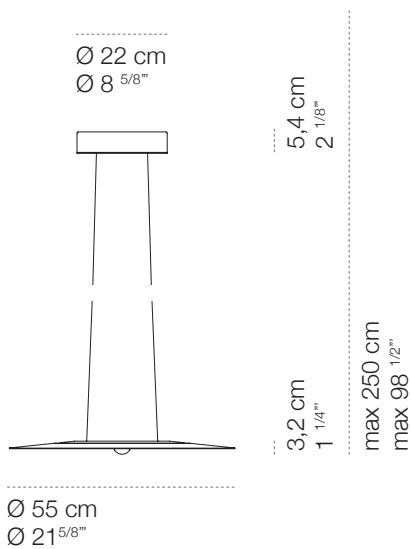


Passepartout55 sopratavolo

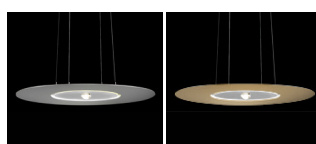


luminaire	
materials	aluminium, steel
environment	interiors
mounting location	ceiling
emission	indirect and direct light
weight	6,3 kg
tension	230V
ballast	2 x dimmable electronic integrated
dimming	cut-phase
insulation class	1
IP classification	IP20
certifications	CE
design	Luta Bettonica, 2017

lower emission	
source	LED
number of led	1
power	13W
luminous flux	1.300 lm
colour temperature	2.800K
CRI	= 92

upper emission	
source	LED
number of led	42
power	16W
luminous flux	1.500 lm
colour temperature	2.800K
CRI	= 90

finish			
matt white enamel cod 1184	matt black enamel cod 1185	polished chrome cod 1180	polished brass cod 1181



matt chrome enamel cod 1182	matt brass enamel cod 1183
--------------------------------	-------------------------------

versions			
Passepartout parete	Passepartout terra	Passepartout55 sopratavolo	Passepartout25 sopratavolo

CINI & NILS