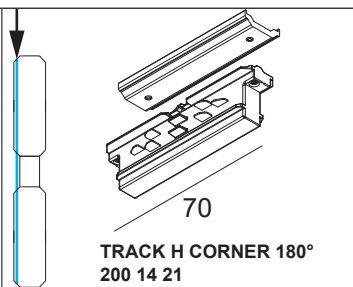
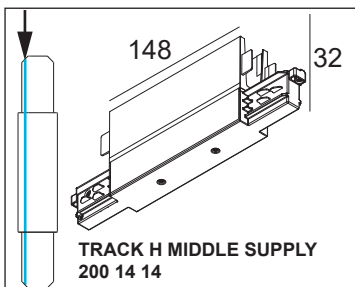
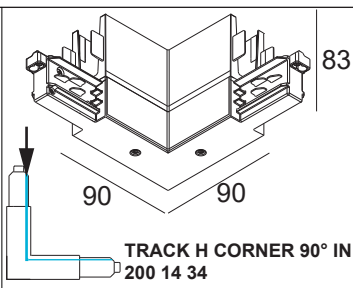
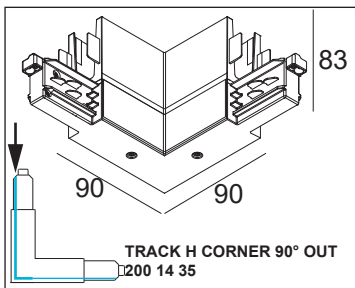
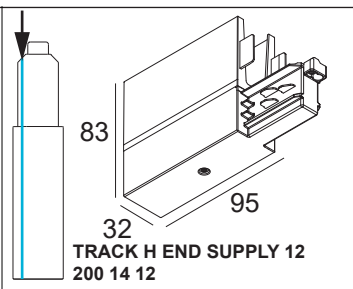
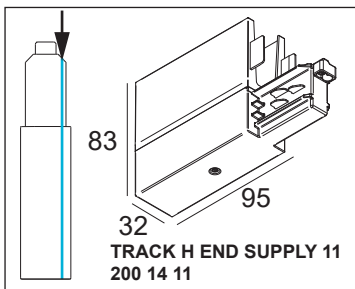
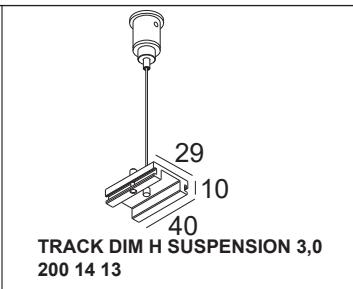
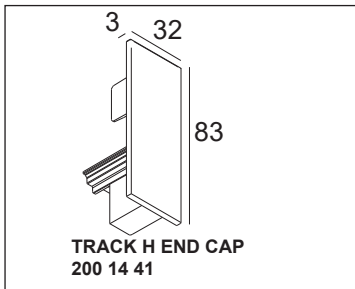
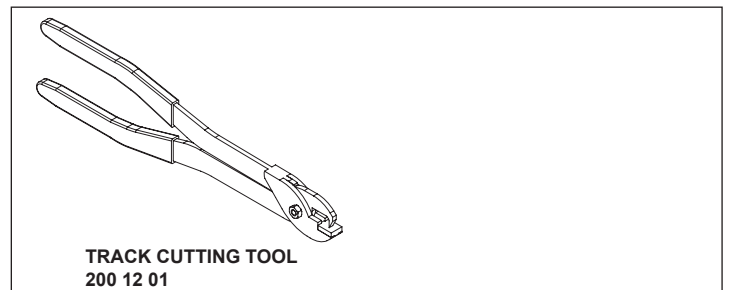
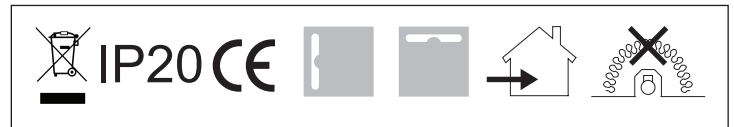
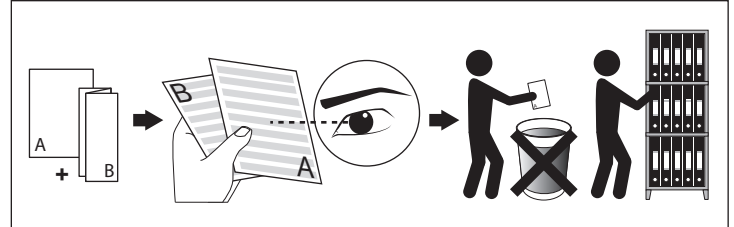
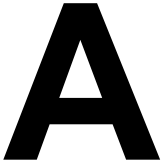


**IP20**  
 Beschermtd tegen vaste voorwerpen die groter zijn dan 12 mm  
 Protégé contre les objets solides de plus de 12 mm  
 Geschützt gegen Festkörper größer als 12 mm  
 Protected against solid objects greater than 12 mm  
 Protegido contra objetos sólidos superiores a 12 mm  
 Protetto contro oggetti solidi più grandi di 12 mm



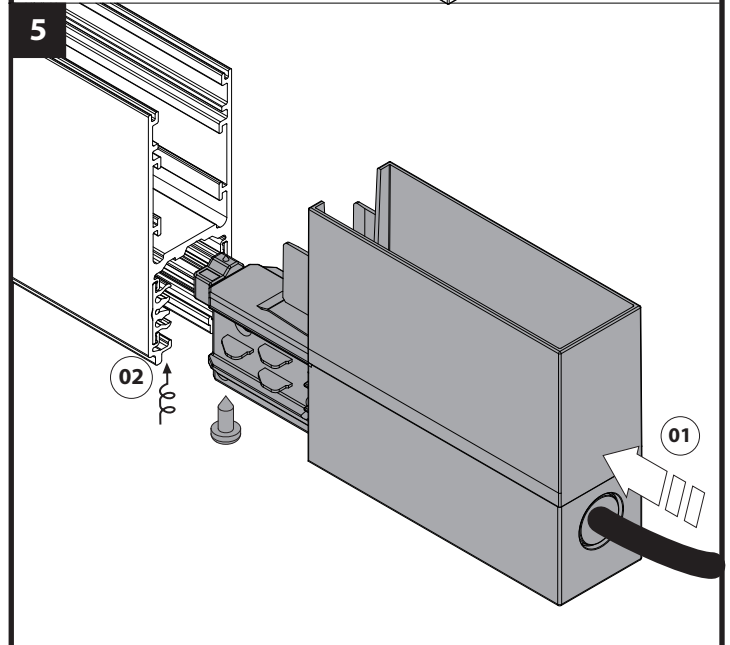
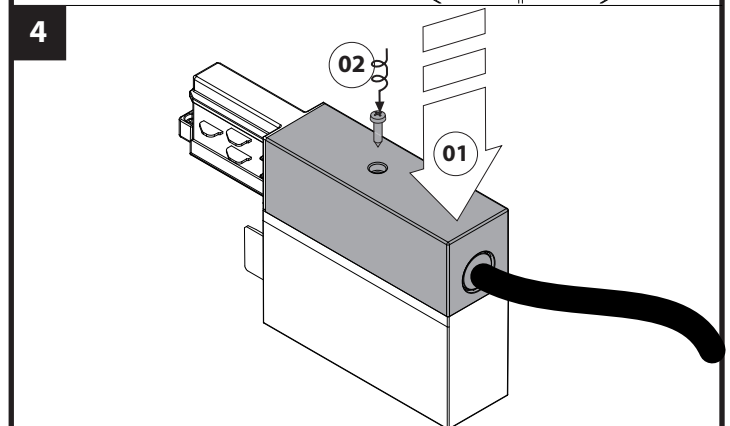
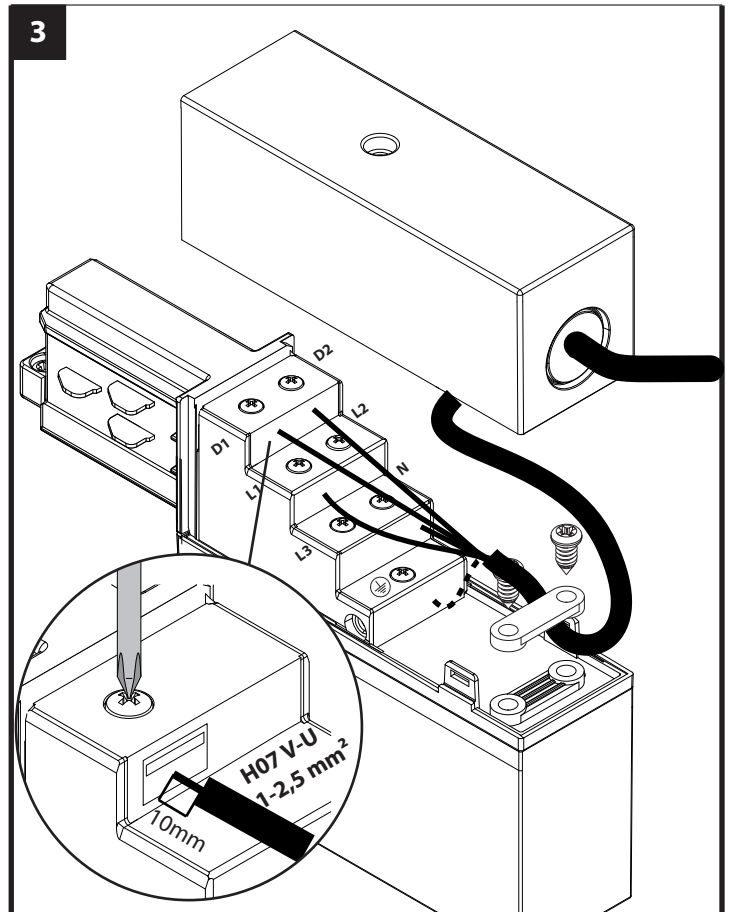
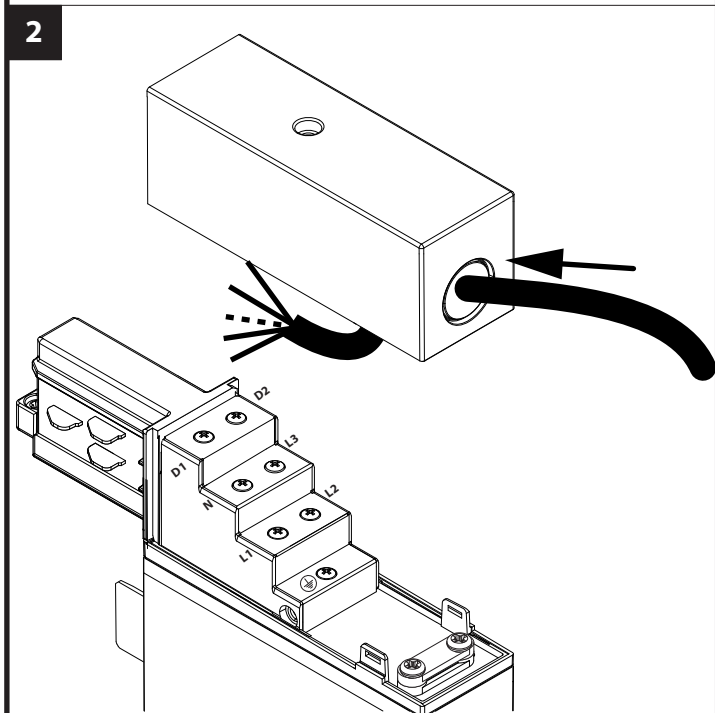
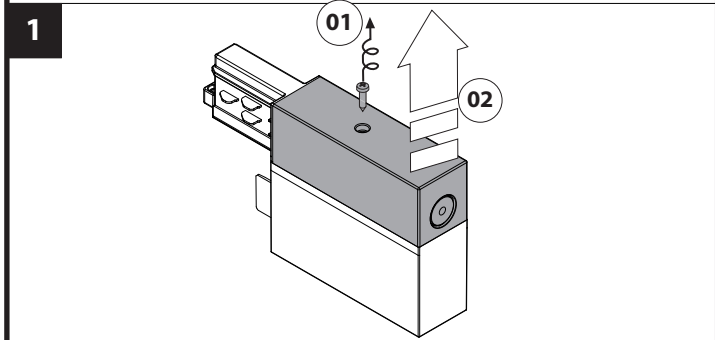
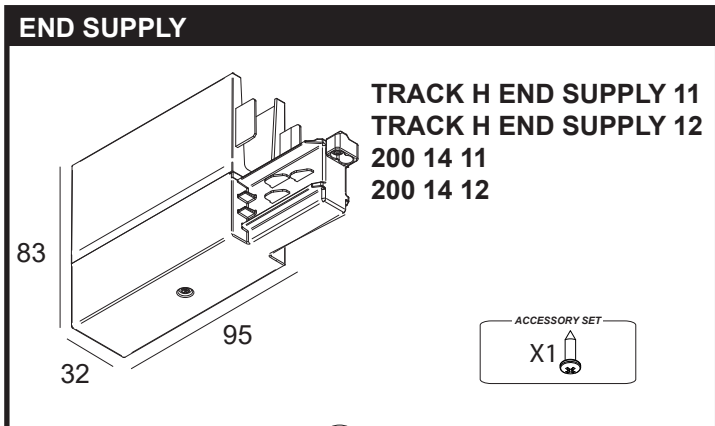
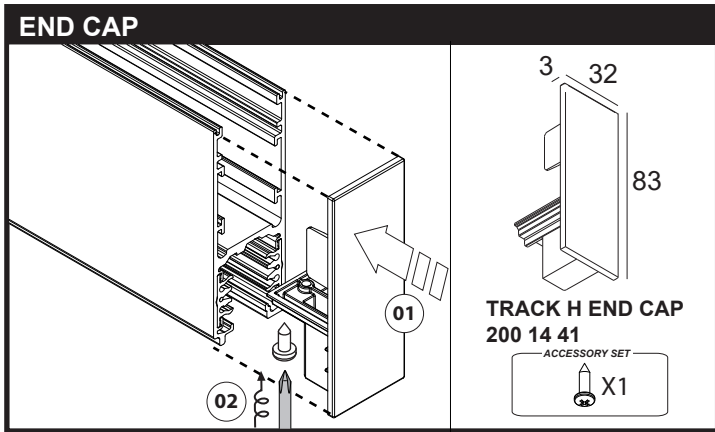
**TRACK 3F DIM H**

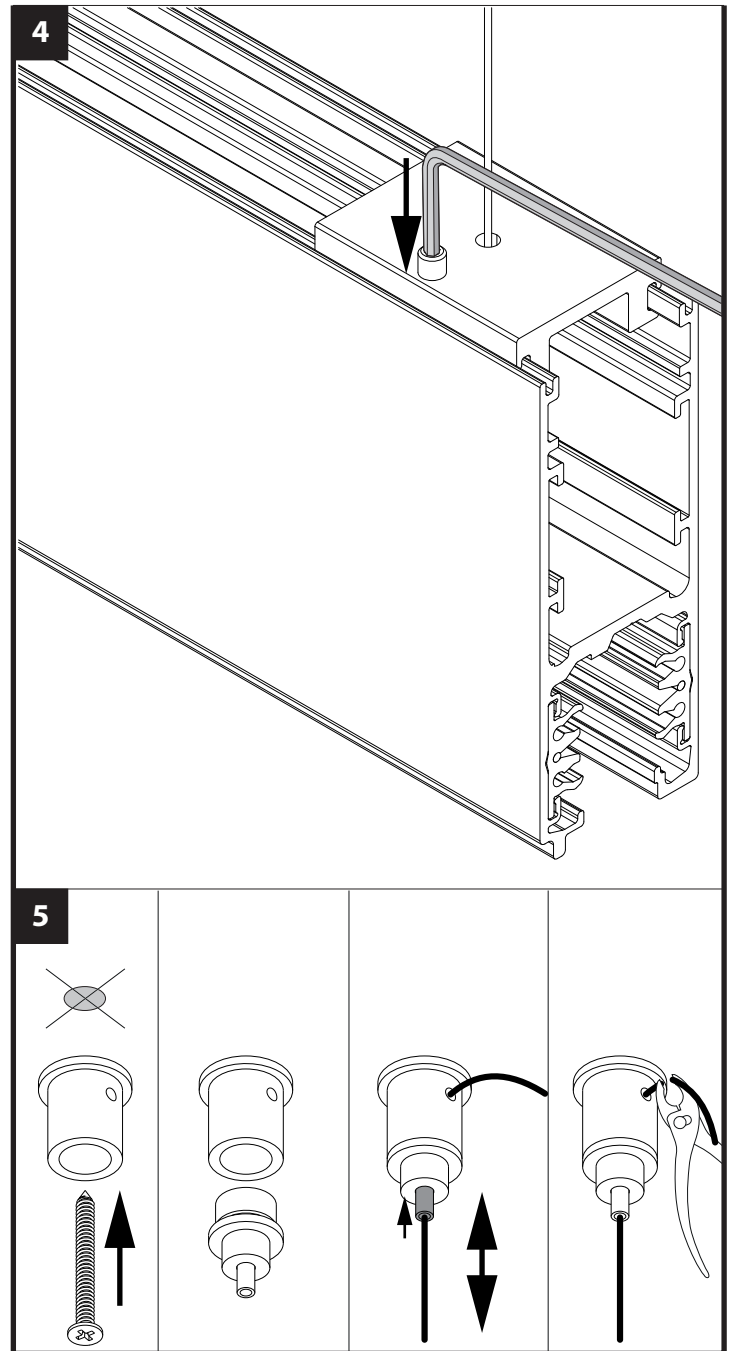
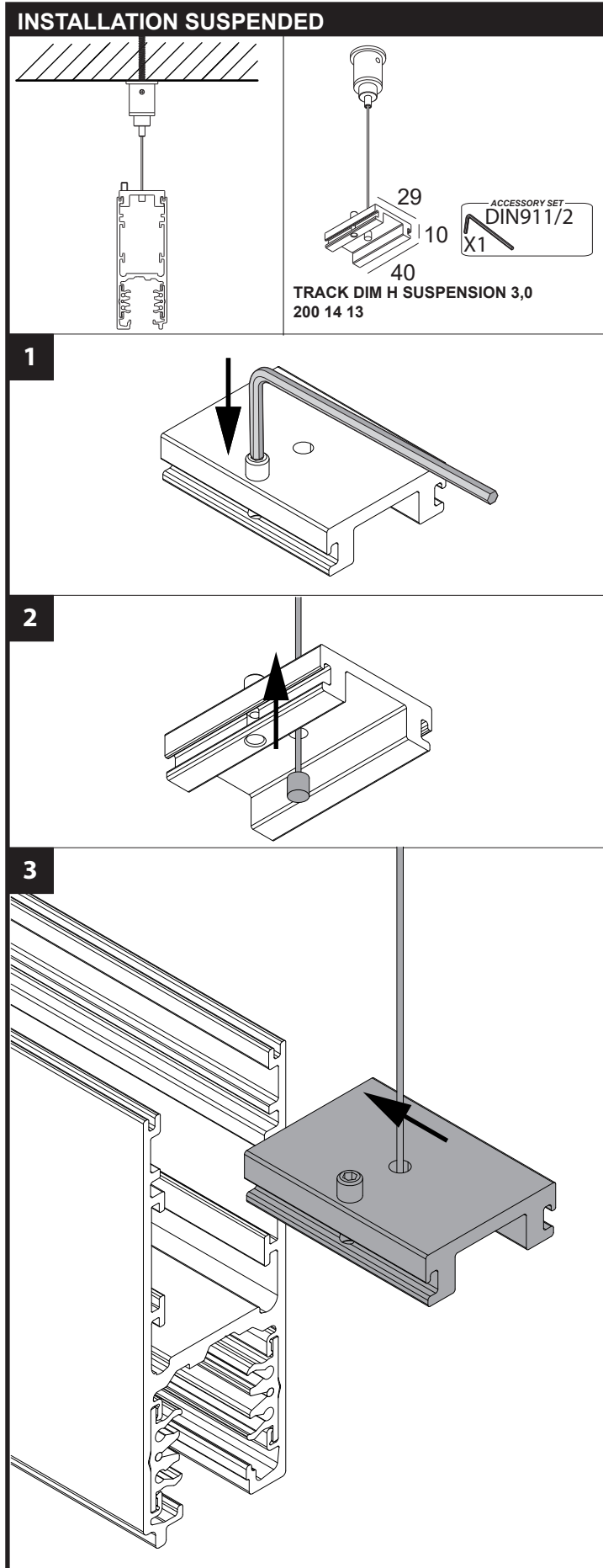
DEEL  
PARTIE  
TEIL  
PART  
PARTE  
PARTE

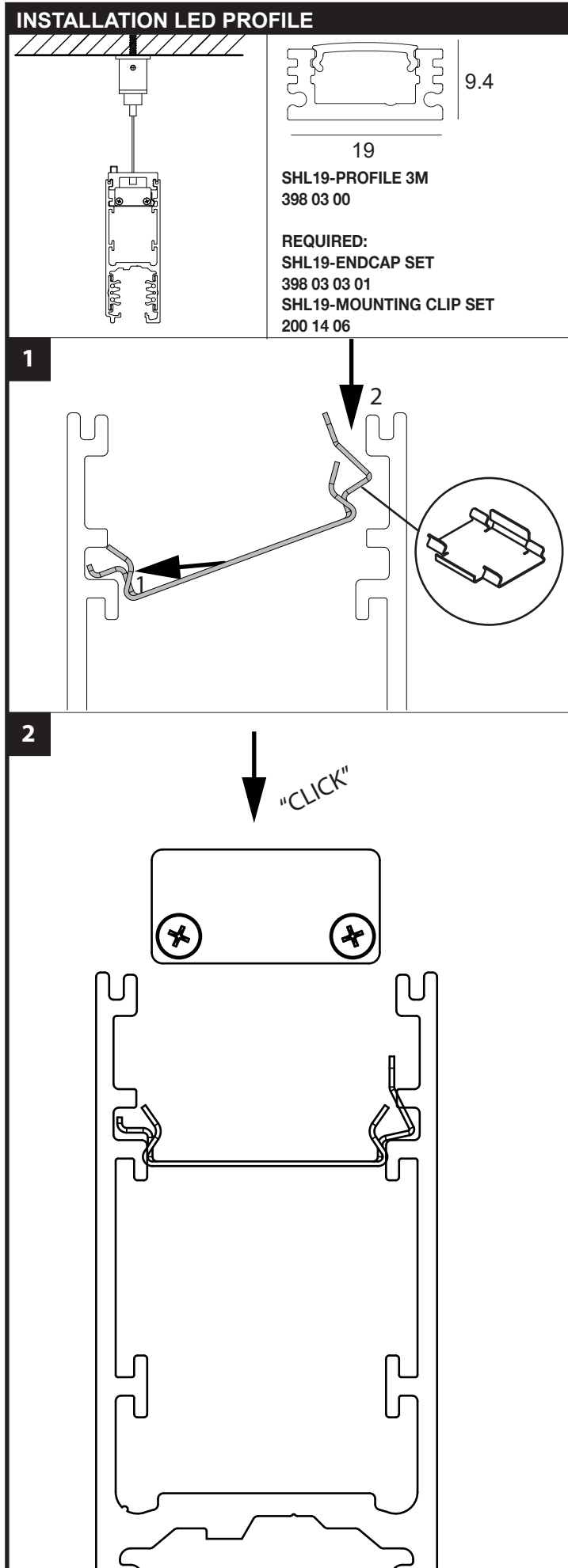


<b>CABLE BASE R</b> 203 99 55	Ø57 x 41	
<b>CABLE BASE S</b> 203 99 56	57 x 57 x 41	
<b>COVERSET R</b> 204 00 62 204 00 90 204 00 100	Ø62 Ø90 Ø100	
<b>COVERSET S</b> 204 62 62 204 80 80 204 90 90	62 x 62 80 x 80 90 x 90	

<b>LED PROFILE UP</b> SHL19-PROFILE 3M 398 03 00	
SHL19-PC CLEAR 3M 398 03 05 CL	
SHL19-PC SBL 3M 398 03 05 SBL	
<b>SHL19-ENDCAP SET</b> 398 03 03 01	
<b>SHL19-MOUNTING CLIP SET</b> 200 14 06	







- Max load per meter: 25kg/m
- First fixation point max 250mm from ends
- To be able to hold 25kg/m, maximal interdistance between 2 fixation points  $\leq 600\text{mm}$   
When load is reduced to  $< 10\text{kg/m}$ , interdistance can be reduced to  $\leq 900\text{mm}$