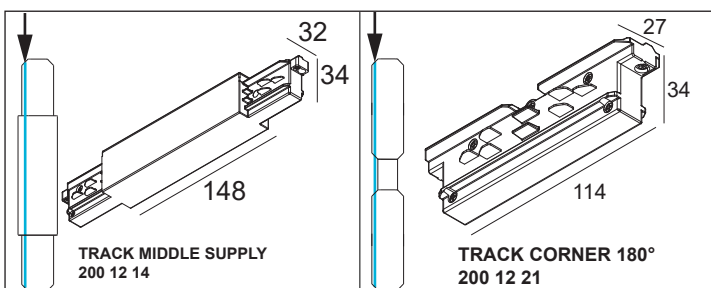
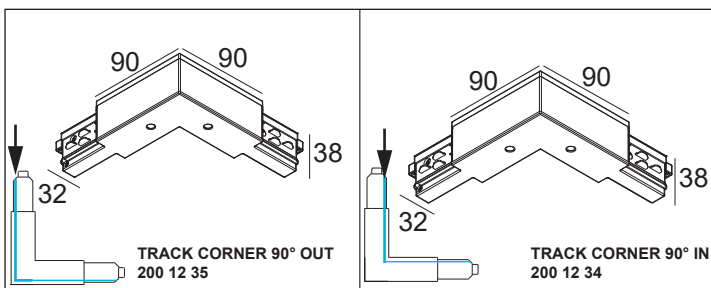
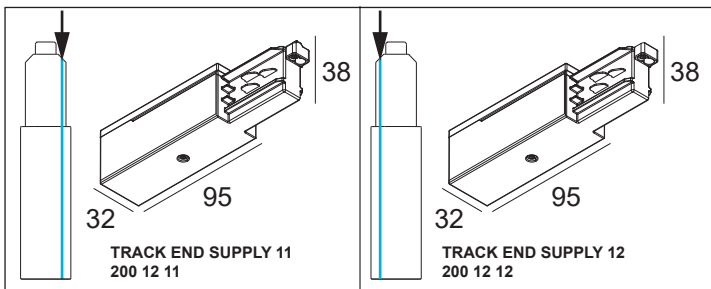
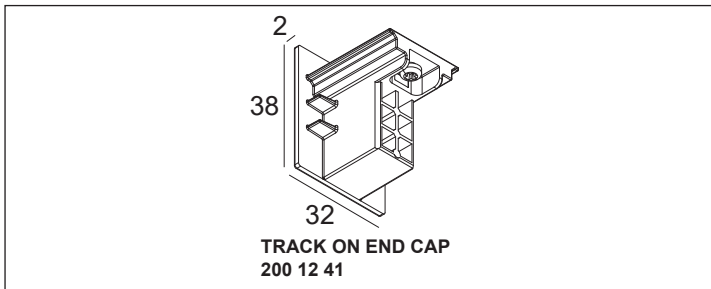
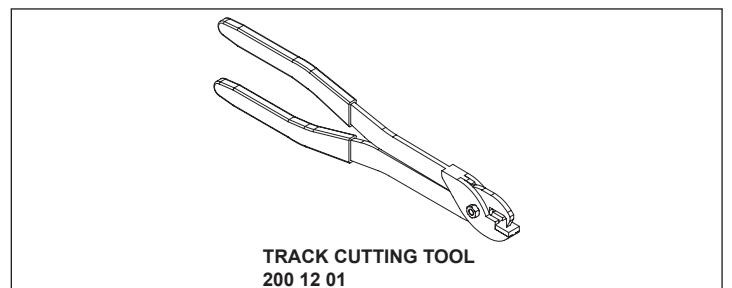
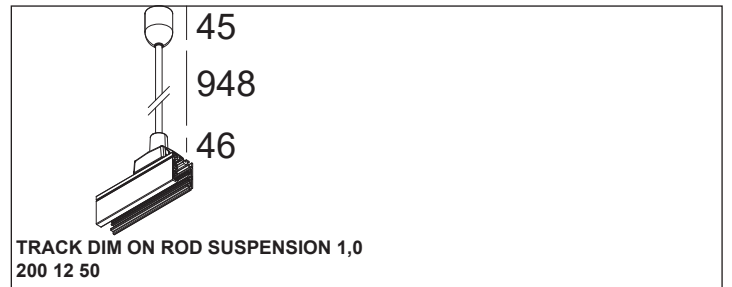
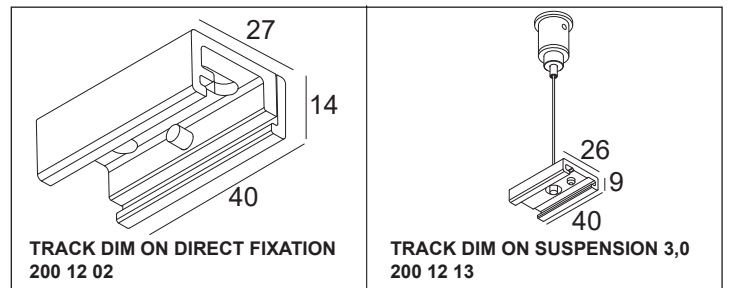
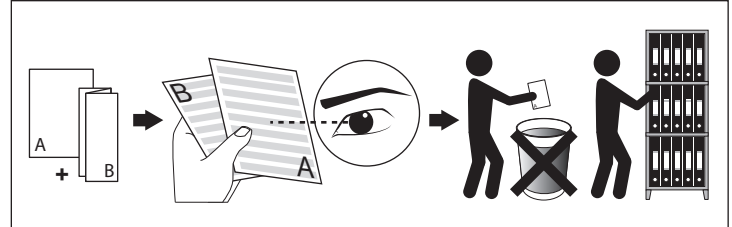
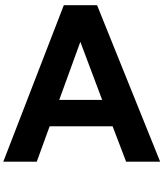


**IP20**  
 Beschermd tegen vaste voorwerpen die groter zijn dan 12 mm  
 Protégé contre les objets solides de plus de 12 mm  
 Geschützt gegen Festkörper größer als 12 mm  
 Protected against solid objects greater than 12 mm  
 Protegido contra objetos sólidos superiores a 12 mm  
 Protetto contro oggetti solidi più grandi di 12 mm



**TRACK 3F DIM ON**

DEEL  
PARTIE  
TEIL  
PART  
PARTE  
PARTE



<b>CABLE BASE R</b> 203 99 55	Ø57 x 41	
<b>CABLE BASE S</b> 203 99 56	57 x 57 x 41	
<b>COVERSET R</b> 204 00 62 204 00 90 204 00 100	Ø62 Ø90 Ø100	
<b>COVERSET S</b> 204 62 62 204 80 80 204 90 90	62 x 62 80 x 80 90 x 90	

**TRACK END CAP**

2  
38  
32

01

02

TRACK IN END CAP  
200 12 41

ACCESSORY SET  
X1

**TRACK CUTTING TOOL**

TRACK CUTTING TOOL  
200 12 01

**USE AFTER EVERY SAW CUT OF THE ALUMINIUM PROFILE**

5mm

90°

5mm

90°

4X

**TRACK END SUPPLY**

38

32 95

TRACK END SUPPLY 11  
TRACK END SUPPLY 12  
200 12 11  
200 12 12

ACCESSORY SET  
X1

**USED IN COMBINATION WITH :**  
TRACK CURRENT SUPPLY  
5 x 0,75mm<sup>2</sup> 3,0m  
200 99 53

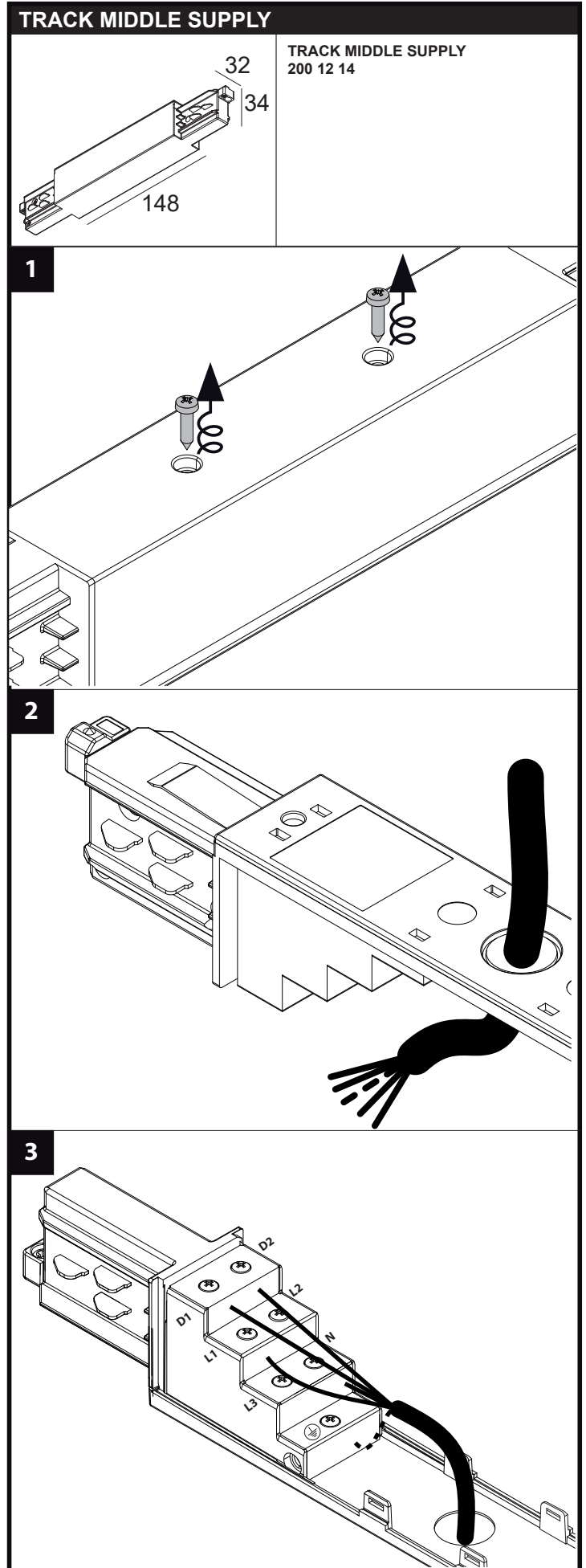
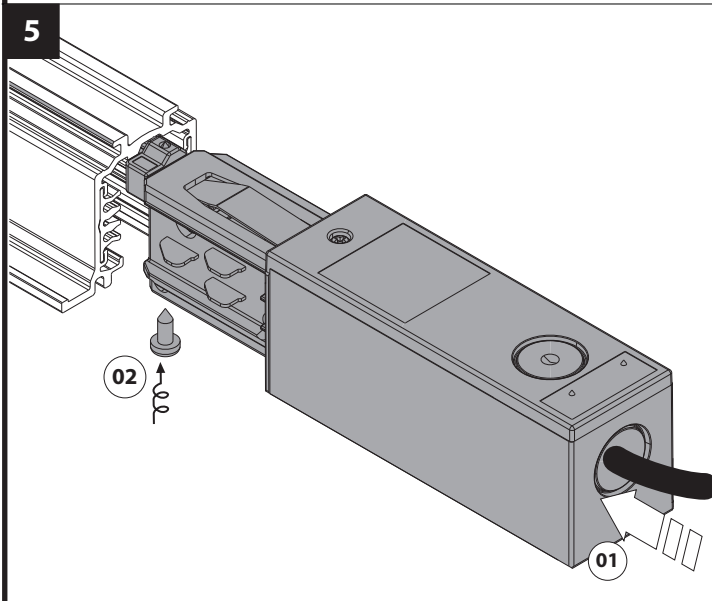
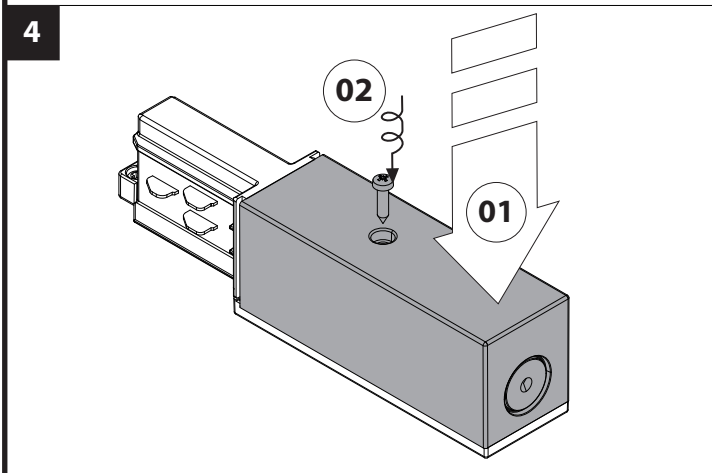
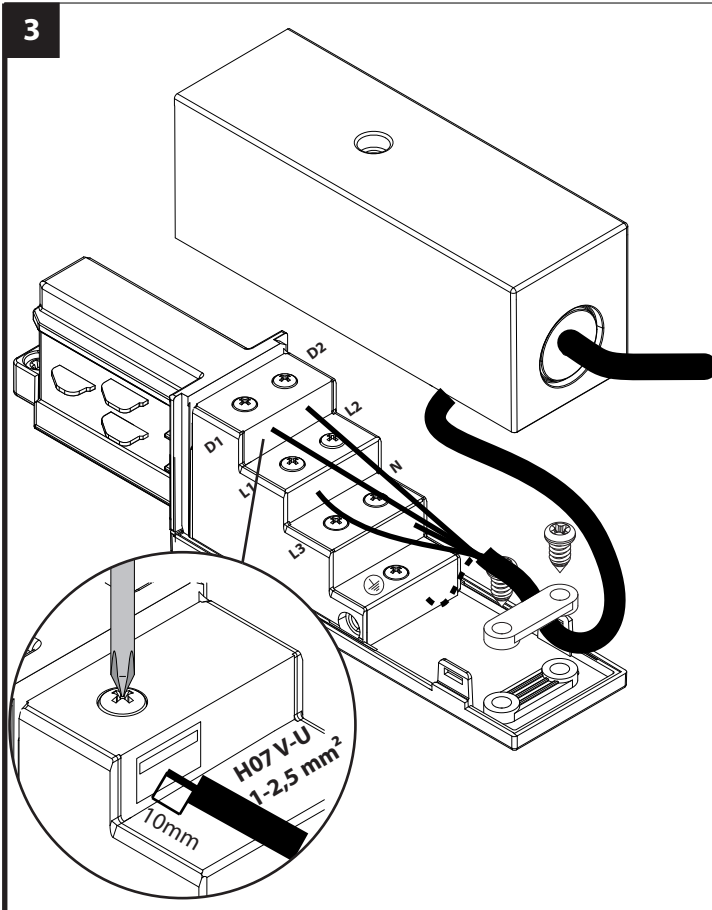
**1**

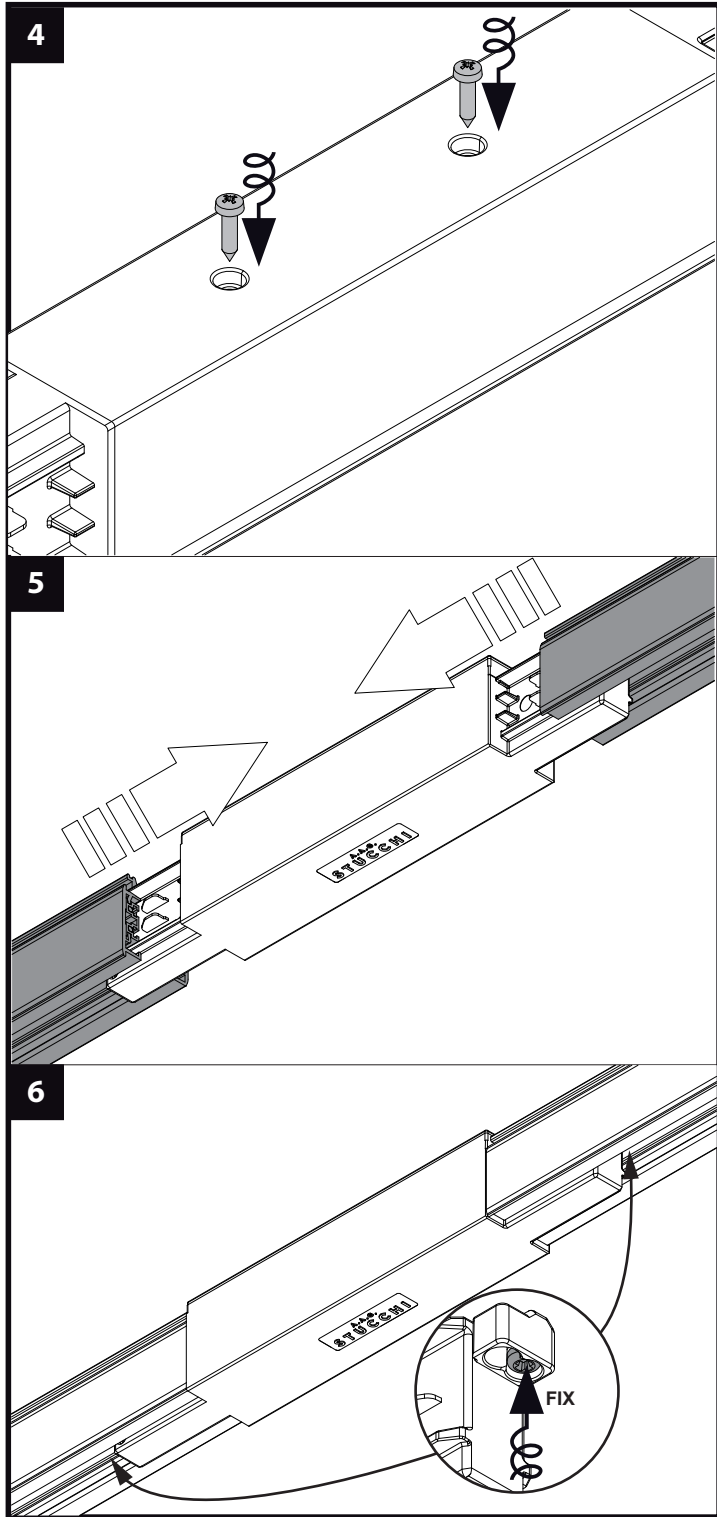
01

02

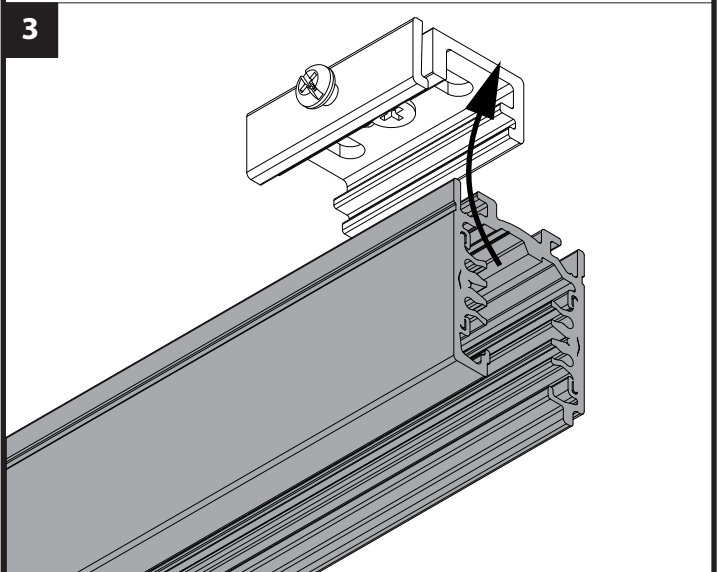
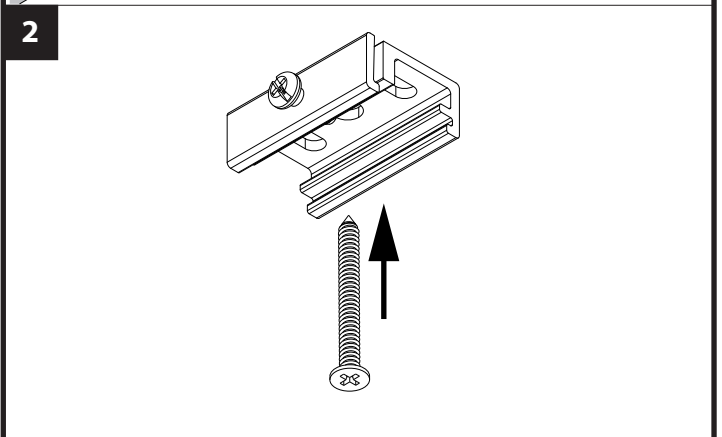
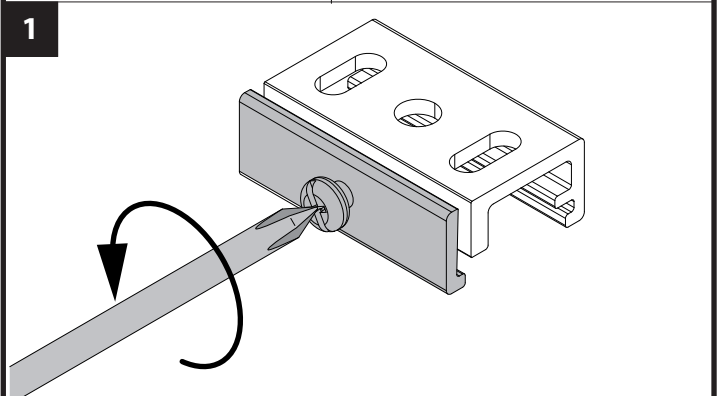
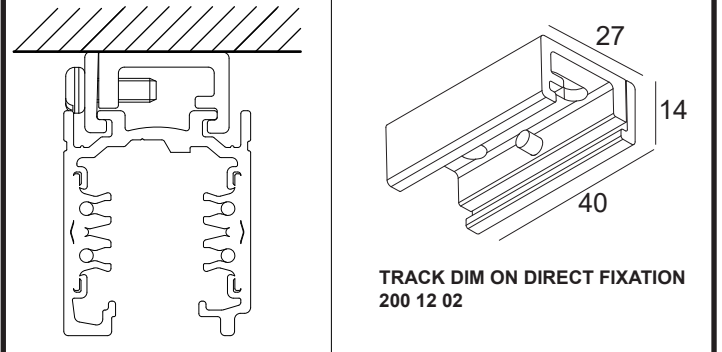
**2**

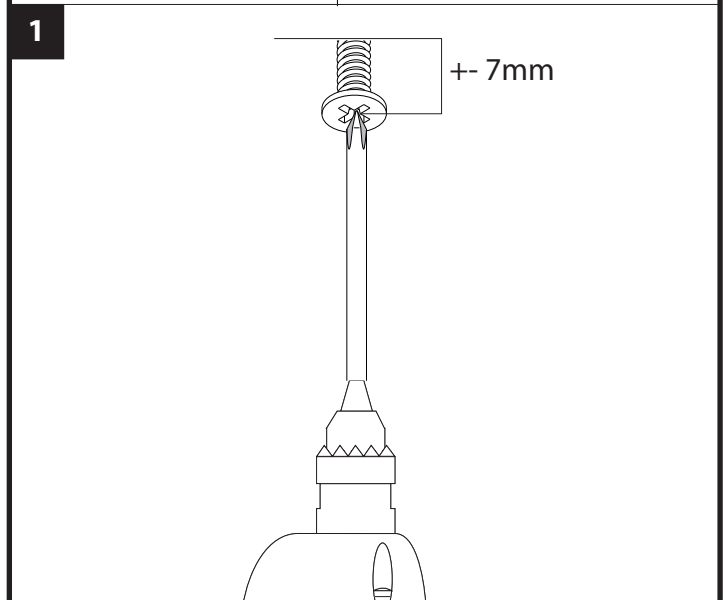
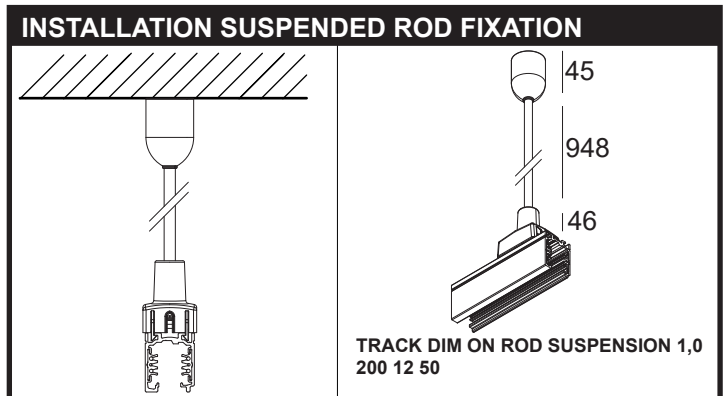
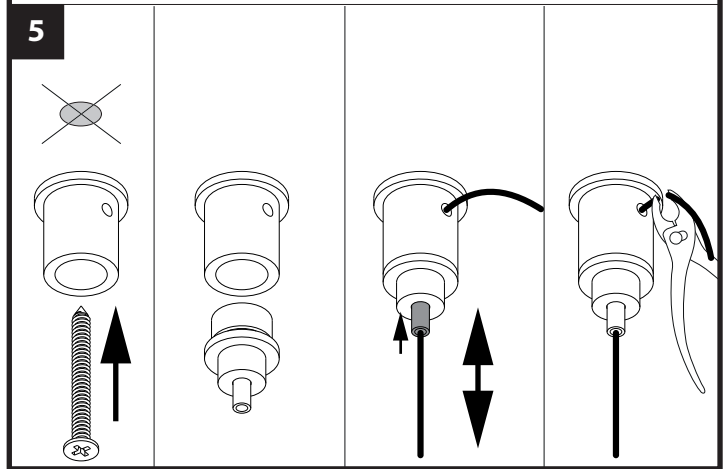
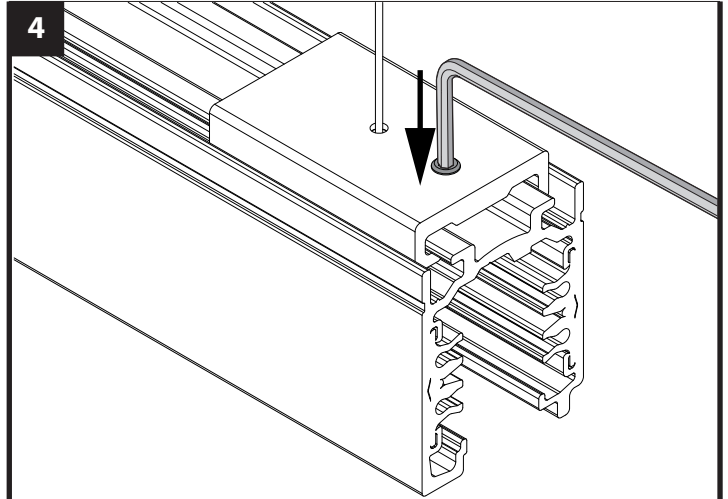
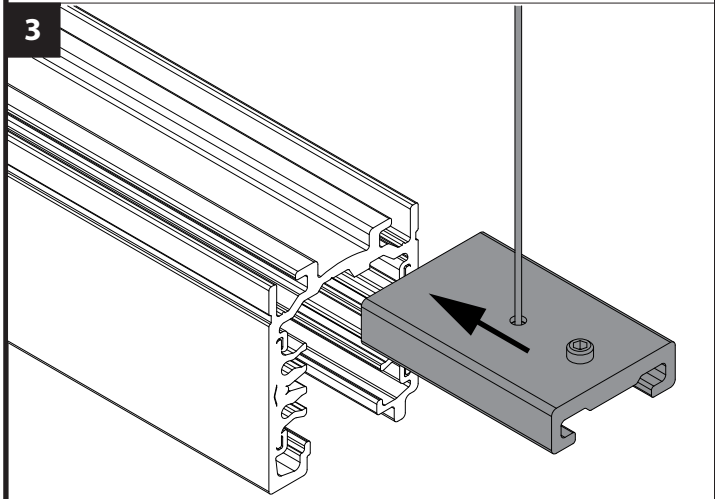
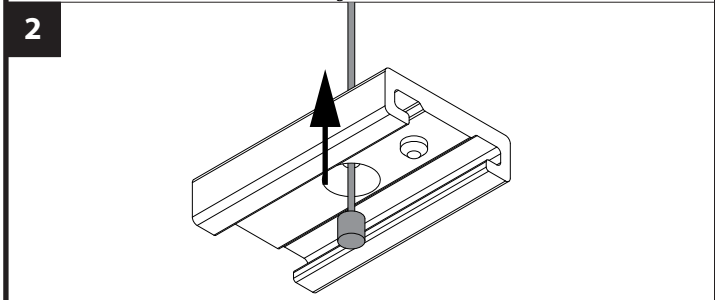
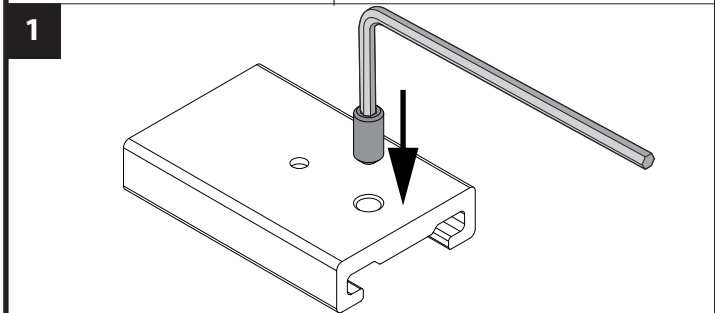
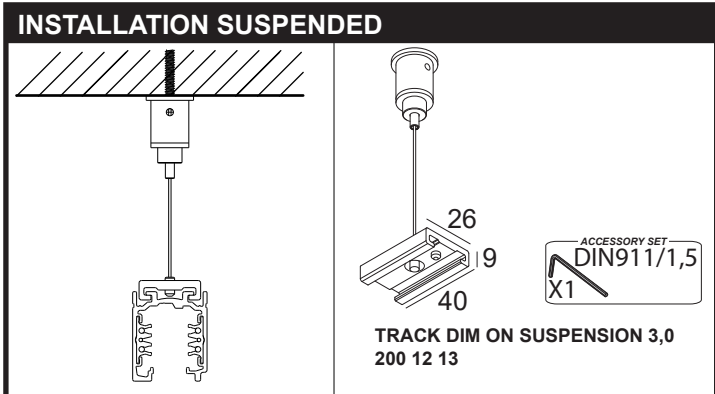
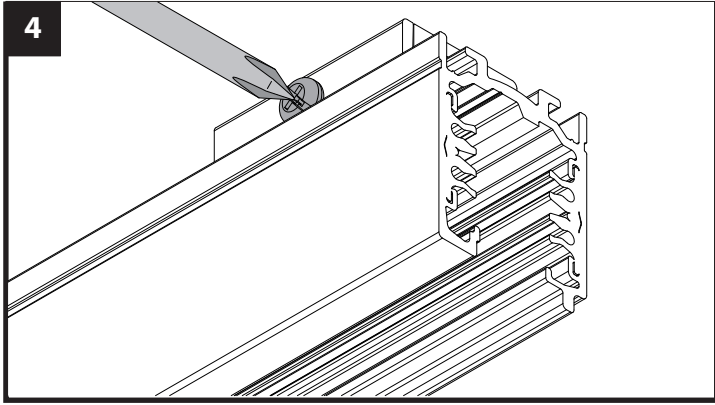
OR

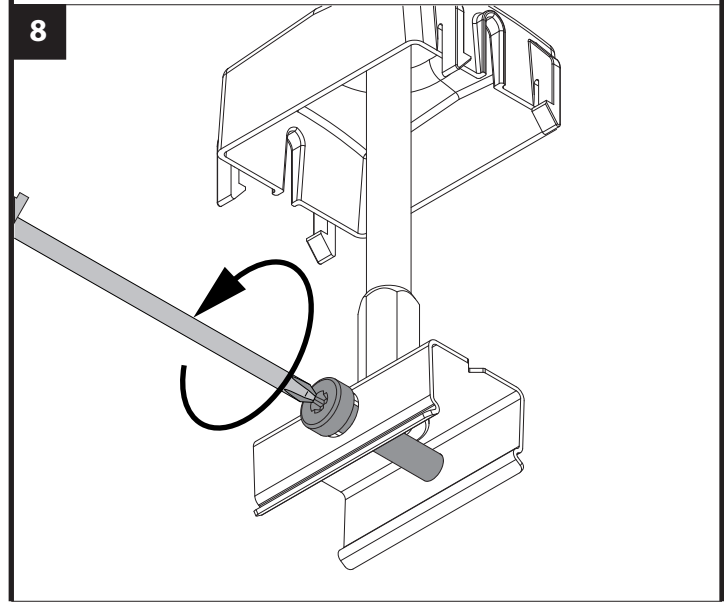
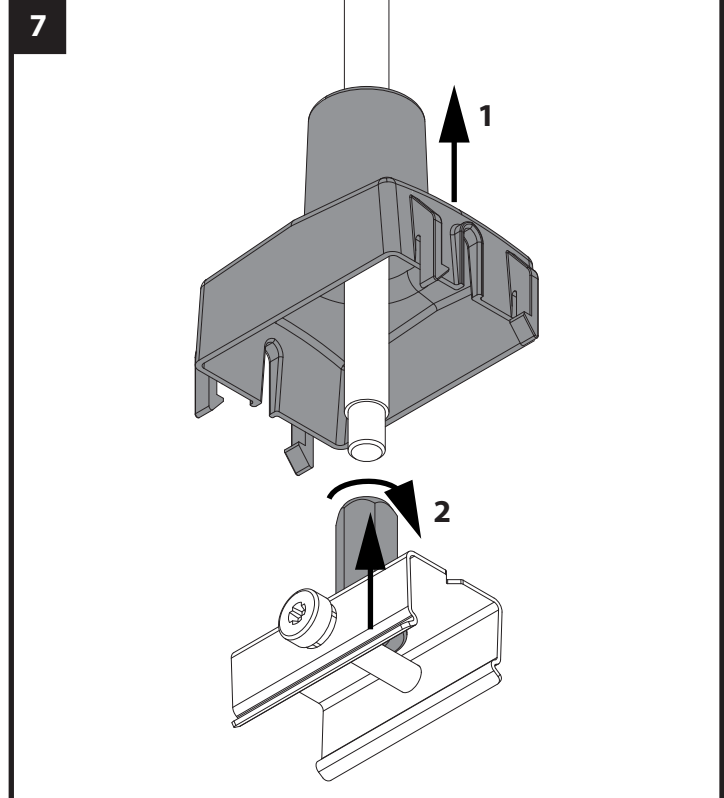
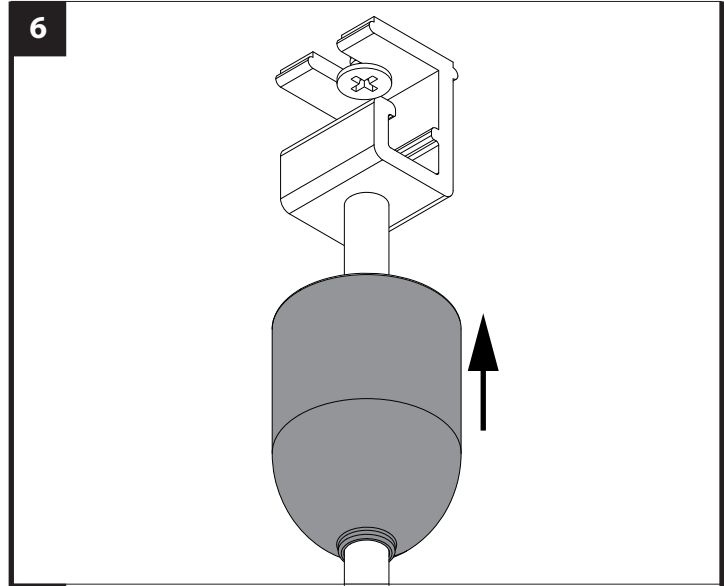
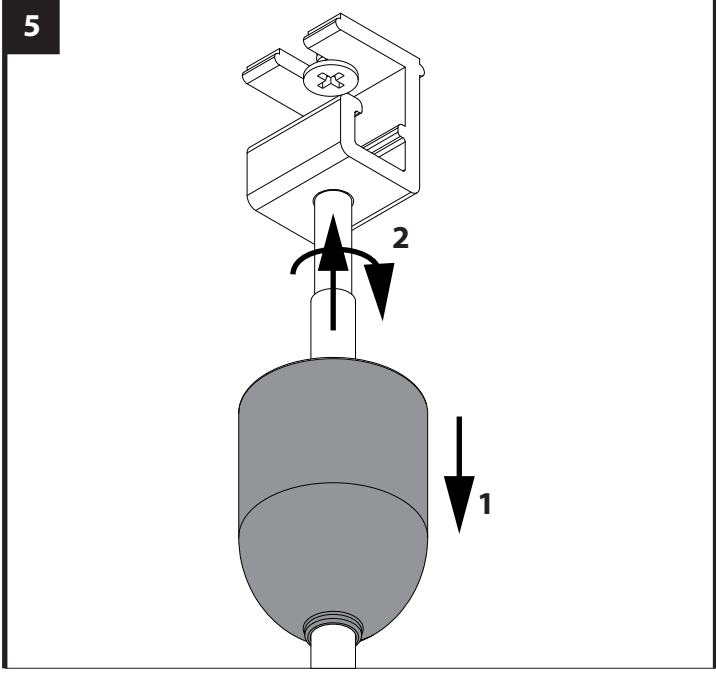
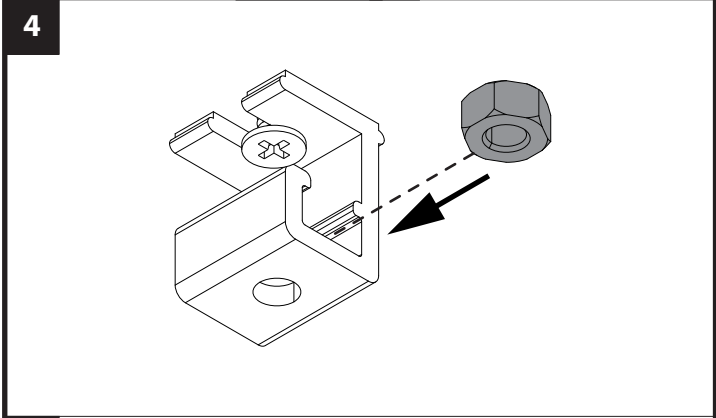
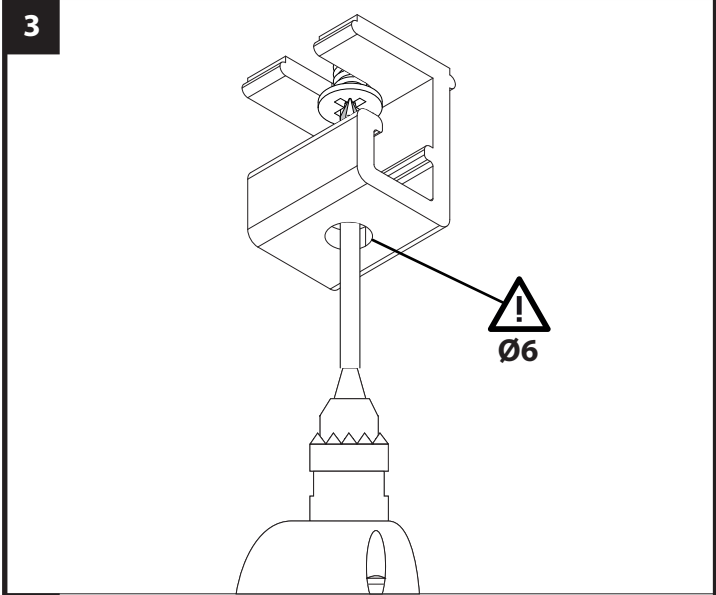
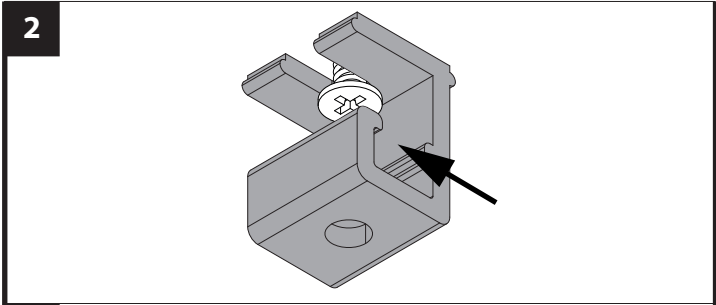


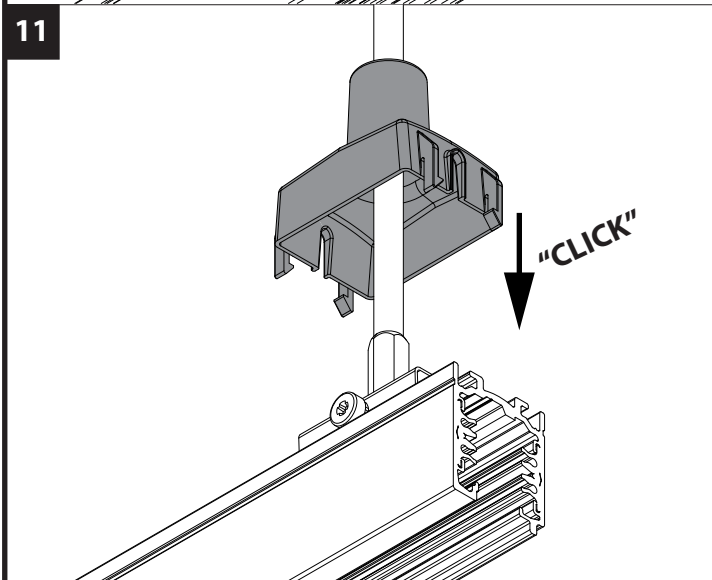
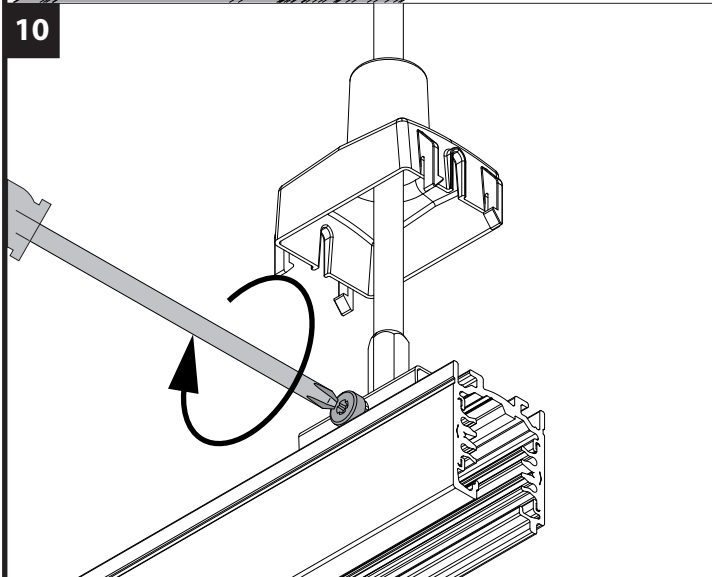
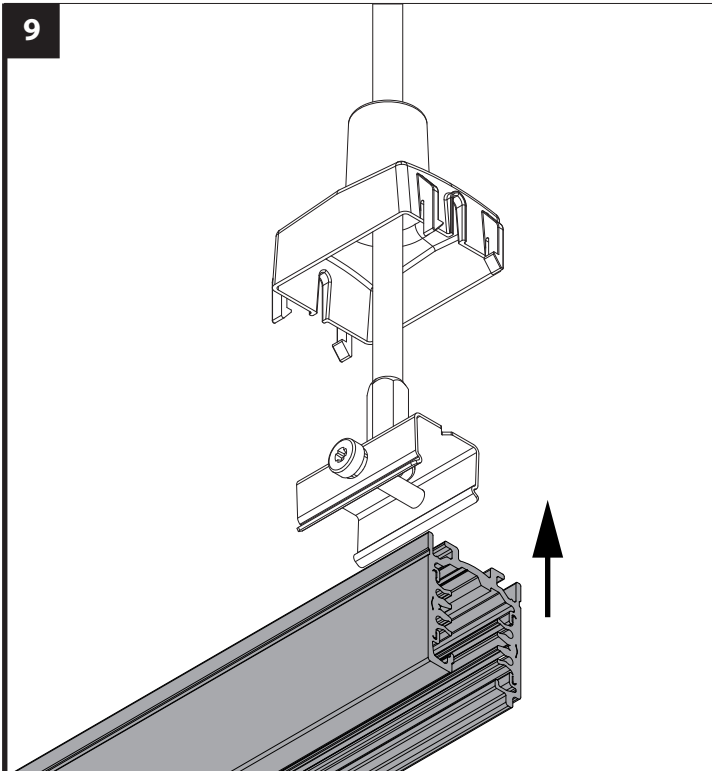


**INSTALLATION DIRECT FIXATION**









- Max load per meter: 25kg/m
- First fixation point max 250mm from ends
- To be able to hold 25kg/m, maximal interdistance between 2 fixation points  $\leq 600\text{mm}$   
When load is reduced to  $< 10\text{kg/m}$ , interdistance can be reduced to  $\leq 900\text{mm}$