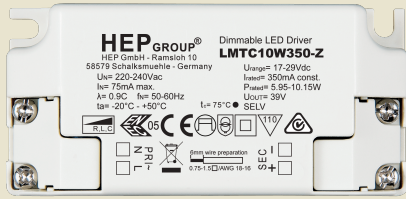


Triac Dimming LED Driver



Approval Marks



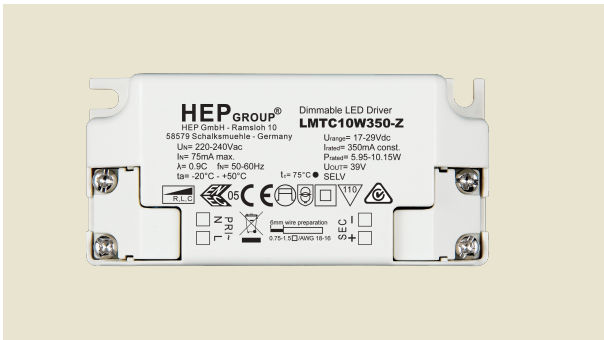
Certified

EN 61347-1:2015
 EN 61347-2-13:2014
 EN 61347-2-13:2014/A1:2017
 EN 62384:2006
 EN 62384:2006/A1:2009

Electronic

Parameter	Conditions	Min	Nom	Max	Unit
I/P Voltage Range		220	230	240	Vac
Input Frequency		47	50-60	63	Hz
Input Power	High Power LED	-	14	-	W
Input Current	@230Vac	-	-	75	mA
Output Voltage Range	LMTC10W200-Z	29	-	44	Vdc
	LMTC10W250-Z	26	-	40	Vdc
	LMTC10W350-Z	17	-	29	Vdc
	LMTC10W450-Z	12	-	20	Vdc
	LMTC10W500-Z	12	-	20	Vdc
	LMTC10W700-Z	8.5	-	14.5	Vdc
Output Currnt Range	LMTC10W200-Z	190	200	210	mA
	LMTC10W250-Z	237	250	263	mA
	LMTC10W350-Z	332	350	368	mA
	LMTC10W450-Z	427	450	473	mA
	LMTC10W500-Z	475	500	525	mA
	LMTC10W700-Z	665	700	735	mA
Rated Output Power	LMTC10W200-Z	5.8	-	8.8	W
	LMTC10W250-Z	6.5	-	10	W
	LMTC10W350-Z	5.95	-	10.15	W
	LMTC10W450-Z	5.4	-	9	W
	LMTC10W500-Z	6	-	10	W
	LMTC10W700-Z	5.95	-	10.15	W
THD		-	-	20	%
Efficiency	Full Load	75	-	-	%
Standby Power	No load @230Vac	-	-	0.5	W
Rise Time		-	-	500	ms
Start-up Delay		-	-	500	ms
Surge	IEC6100-4-5, Full Load@230V	L/N , 1KV ; L/N-PE , 1KV			
Output Current Overshoot		-	-	20	%
Ripple Current	peak to peak @ full load	-	40	-	%
Power Factor	Full Load	0.90	-	-	-
Protection	Over-voltage Protection	Auto recovery			
	Open-circuit Protection	Max output voltage at no load			
	Short-circuit Protection	Auto recovery			
Case Temperature(Tc)	LMTC10W200-Z, LMTC10W250-Z, LMTC10W350-Z	-	-	+75	°C
	LMTC10W450-Z, LMTC10W500-Z	-	-	+80	°C
	LMTC10W700-Z	-	-	+85	°C
External Operating Temperature		-20	-	+50	°C
Operating humidity range		10	-	95	%
Storage Temp. range		-40	-	+85	°C
Dimming Type		Triac dimming			
Dimming Range		10	-	100	%
Lifetime	at Max Case hot spot Temperature	-	50,000	-	hrs
Case Dimensions	LxWxH	85	40.4	22	mm

Triac Dimming LED Driver



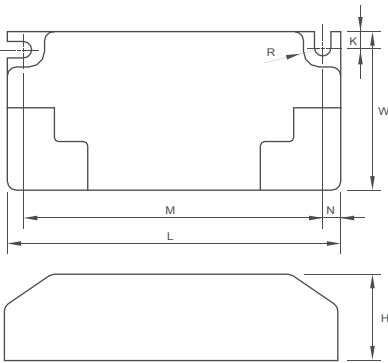
Approval Marks



Certified

EN 61347-1:2015
 EN 61347-2-13:2014
 EN 61347-2-13:2014/A1:2017
 EN 62384:2006
 EN 62384:2006/A1:2009

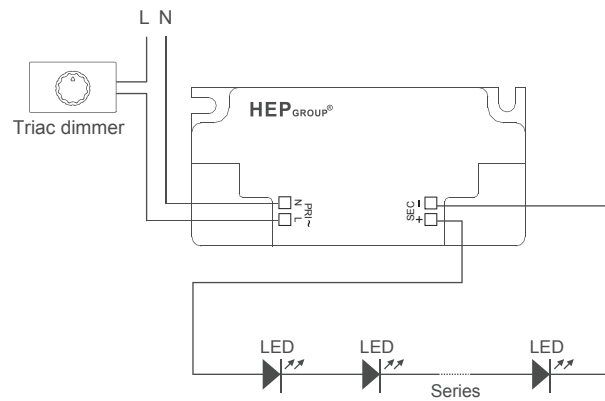
Physical Parameter



L : 85 mm H : 22 mm
 M : 76.4 mm K : 4.0 mm
 N : 4.6 mm R : 2.1 mm
 W : 40.4 mm Slot On One Side Allowing Alignment : M+/-3 mm
 Tolerance : $\geq 0 \sim 100 \geq +/0.5\text{mm}$
 $100 \geq +/1 \text{ mm}$

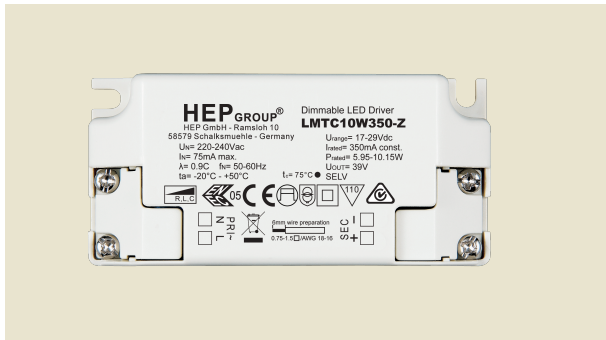
Terminal Block : PRI : Screw Type
 SEC : Screw Type
 Housing Material : Polycarbonate
 Soldering : Lead-Free, Comply With RoHS
 Label : Surface Print

Wiring Diagram



The length of wire from output to luminaire should be less than 2M

Triac Dimming LED Driver



Approval Marks



Certified

EN 61347-1:2015	EN 62384:2006
EN 61347-2-13:2014	EN 62384:2006/A1:2009
EN 61347-2-13:2014/A1:2017	

The minimum load of the LMTC10Wxx have been internally tested with all dimmers in the dimmer compatibility list by HEP. HEP confirmed all internal tests would be no problem for the minimum load specified in product spec sheet. As the test result with our dimmer list may be influenced by different LED specs or brands from customer side, the flickering probably will be happened in case or probably not.

If customer tested LMTC10Wxx with HEP dimmer list and LED module less than 7.5W or down to minimum load specified in product spec sheet, the flickering did not happen and the compatibility should be no problem.

If flickering was observed, three solutions were advised for customer;

1. Raise LED loads up to 7.5W for LMTC10Wxxx
2. Change the selected dimmer with other types of dimmer from our dimmer compatibility list;
3. Replace the selected LED module with other specs or brands
4. In case all the above methods are not workable, please contact HEP sales for possible solution.

Leading Edge Dimmer list approved by HEP

Manufacturer	Model	Q'ty of parallel connection
HPM	CAT400L	15
MK Electric	DW480	20
Schneider	X3104-WH	15
Schneider	SBD-SPL	15
Legrand	5734 62	15
KIWI Electronics	K010L	15
North-West	M1500	15
CLIPSAL	32V500	20

Tralling Edge Dimmer list approved by HEP

Manufacturer	Model	Q'ty of parallel connection
Schneider	CCTSE12011	20
CLIPSAL	32E450UDM	25
HPM	CAT400T	25
Berker	2874	30
Busch	6513U-102	25
JUNG	225 TDE	30
Merten	SBD315RC	15
CLIPSAL	32E450TM	25