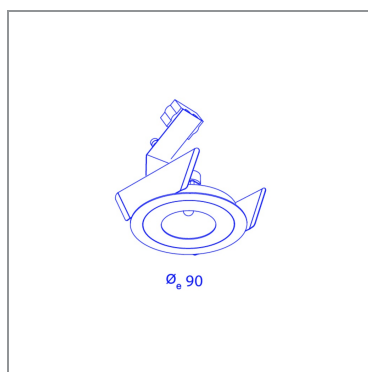
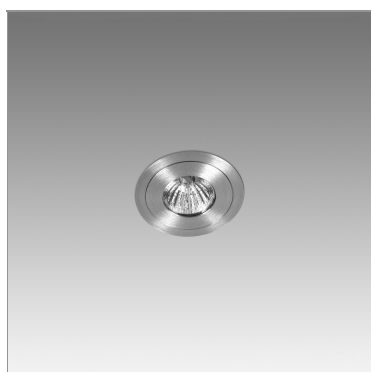


BS2556



BS2556



SPECIFICATIONS

CUT-OUT SIZE	Ø80
MIN RECESSED HEIGHT	120mm
WEIGHT	0.2kg
INGRESS PROTECTION (IP)	IP20, IP20 inside ceiling
GLOWWIRETEST	850°C

COMPLEMENTARY OPTIONS

BS8002 ANTI-DAZZLE RING