

PH 5

The fixture provides 100% glare-free light. Poul Henningsen developed the PH 5 in 1958 as a follow-up to his celebrated three-shade system. The fixture emits both downward and lateral light, thus illuminating itself. In the PH 5 Classic, a warmer tone of light is created by the inside red cone and a small blue reflector.



Poul Henningsen

Poul Henningsen was born in Copenhagen by the famous Danish actress Agnes Henningsen. He never graduated as an architect, but studied at The Technical School at Frederiksberg, Denmark from 1911-14, and then at Technical College in Copenhagen from 1914-17.



Restaurant Madsen



Product info

Finish

Polished Brass or Copper and white, matt powder coated. Classic (white) or Modern White, matt powder coated. Hues of Blue, Hues of Green, Hues of Grey, Hues of Orange, Hues of Red, Hues of Rose, matt wet painted. Please note that the copper and brass surface is untreated. This means that the surface will change over time and develop a patina.

Materials

Shades: Spun aluminium, spun copper or spun brass. Anti-glare disc: spun copper, spun brass or blue, rose, green or red, spun aluminium. Struts: White (for Copper and Brass), purple (for Classic) or bronze coloured, rolled aluminium.

Mounting

Suspension type: Cable 2x1mm². Canopy: Yes. Cable length: 3m.

Sizes and weights

Width x Height x Length (mm) | 500 x 285 x 500 Max 3.5 kg

Class

Ingress protection IP20. Electric shock protection II w/o ground.

Specification notes

The innovation of light sources is ongoing. Consequently we only inform about the max. wattages. On www.louispuolsen.com we update a list of recommendable light sources.

Light source & energy class

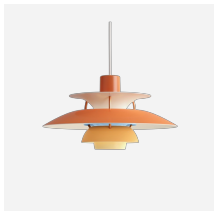
A+ - E | 1x75W E27

Information

Blue anti-glare disc for Classic and Hues of Orange. Green anti-glare disc for Hues of Red and Hues of Rose. Red anti-glare disc for Hues of Green and Hues of Blue. Rose anti-glare disc for Hues of Grey and Modern White. Copper anti-glare disc for Copper version. Brass anti-glare disc for Brass version. Please note that the copper and brass surface is untreated. This means that the surface will change over time and develop a patina. This process may have already begun when the product is delivered.



Product family



PH 5 Mini

Product variants

Light source	Colour	Class	Cable type
1x75W E27	<input checked="" type="radio"/> Brass	II	WHT TEX
	<input type="radio"/> Copper		
	<input type="radio"/> Hues of blue		
	<input type="radio"/> Hues of green		
	<input type="radio"/> Hues of grey		
	<input type="radio"/> Hues of orange		
	<input type="radio"/> Hues of red		
	<input type="radio"/> Hues of rose		
	<input type="radio"/> White classic		
	<input type="radio"/> White modern		

--	--	--	--

Product description

Suspended shade luminaire
4 shades ensures minimal direct view of lamp
Geometry created to ensure illumination of large rooms
Iconic design
Family of two dimensions
Top shade to hide insert

Can be mounted on 4" octagonal junction box. (USA only)
Relamping by removing bottom-center glare shield held in place with spring-loaded tabs.

Light description

Spherical light distribution
Top trumpet shaped shade provides vertical illumination of room
Three lower primarily directs light down
Internal reflector and bottom glass shield protect against glare
Geometry ensures uniform light around the fixture
Matte painted undersurfaces of shades creating uniform light distribution around the fixture

Design

Poul Henningsen

Mounting

Shades: Spun aluminum, 0.8 mm (0.03") thick.
On PH5 White and PH50 variants: red interior adds warmth to light.
Internal struts of matte chrome plated aluminum.
Socket: Porcelain, medium base, for A-23 clear envelope lamps.
Socket position is adjustable to allow correct lamp position and fixture illumination.
Canopy: 5.3" diameter x 0.9" tall cone of spun aluminum.
Cable: white PVC coated, 12 ft. (USA)

Weight

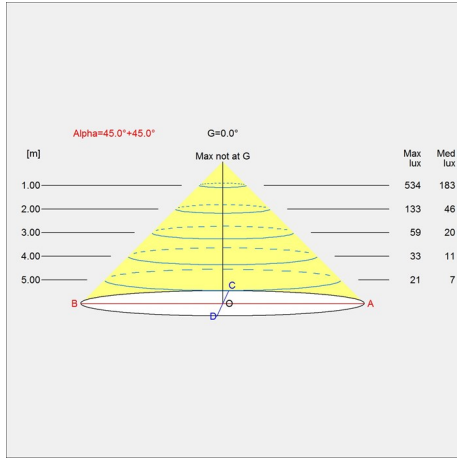
Min: 1.835 kg Max: 3.453 kg

Finish

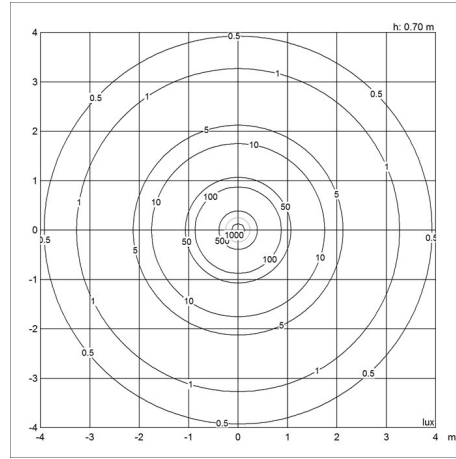
Brass, Copper, Hues of blue, Hues of green, Hues of grey, Hues of orange, Hues of red, Hues of rose, White classic, White modern

Light distribution diagrams

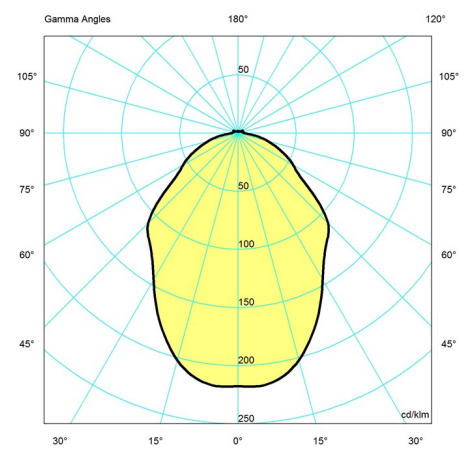
Cartesian



Isolux



Polar



Spare parts & accessories

Product	Variant number
PH 5, ELECTRICAL ASSEMBLY, WHITE, F/OLD	5741086498
PH5 PLUS/PH50 GLASS DISC	5741093300
EXTENSION NIPPLE F/STAND. SUSPEN	5741480670
PH 5 RED/BLUE, 100W INC BOTTOM PLATE	5741481394
PH 5 (CLASSIC) SPACERS (1 SET)	5741093407
PH 5 SPACERS PAINTED BRONZE (1 SET)	5741100235
CANOPY BLACK 2-PART, TOPHAT ®	5749329021
CANOPY WHITE 2-PART, TOPHAT ®	5749329034