

FLOS

F3190009 White

Button HL

Designed by Piero Lissoni, 2004

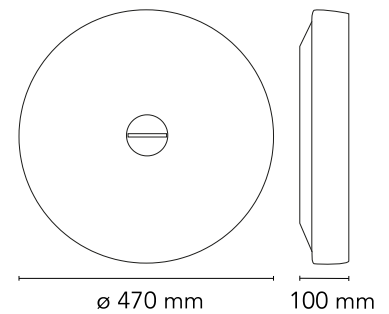


Halogen - 5 x 40W

Wall/ceiling fixture providing diffused lighting for indoor use. Hand-blown opal ply glass diffuser (transparent □ opal □ transparent) with acid finish. Sheared, deep-drawn steel sheet wall/ceiling attachment with white galvanized finish. Sheared, deep-drawn steel sheet reflector painted white for high temperatures. Closing cover in injection molded tecnopolymer with chrome finish. Satin-finish incandescent line voltage halogen lamps.

Are you a professional and your project needs consulting and support?

BOOK AN APPOINTMENT



Main specifications

EAN	8059607018866
Mounting	Ceiling and wall surface
Environments	Indoor dry location
Light Source Type	Bulb
Lamp category	Halogen
Lamp holders	G9
Iicos	HSGS
Number of heads	5
Power (W)	40

Physical

Colour	White
Net weight (kg)	7
Package height (mm)	175
Package width (mm)	555
Package length (mm)	555
Package volume (m3)	0.05
IP internal	40

Download

Mounting instructions [↓ PDF](#)

Spare Parts [↓ PDF](#)

Photometric Files

LDT / IES [↓ ZIP](#)

Technical Drawings

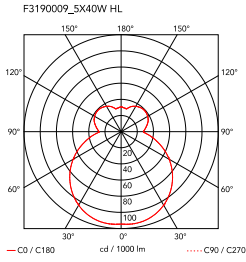
2D [↓ ZIP](#)

3D [↓ ZIP](#)



IP		IP	IP
40		40	40

Schematic light drawing



Photometric

Light distribution	Roto symmetric
Extreme cut off	No

Electrical

Insulation class	I
Frequency (Hz)	50/60
Main voltage (Vac)	220-250
LED voltage Vf (Vdc)	null
Dimmable	Yes
Dimming interface	Remote Dimmable (Dimmer Not Included)
Batteries inside	No

Bulbs



NOT INCLUDED

RF26520

LED Lamp 2W 240lm G9 220-240 2700K T13 Non Dimmable

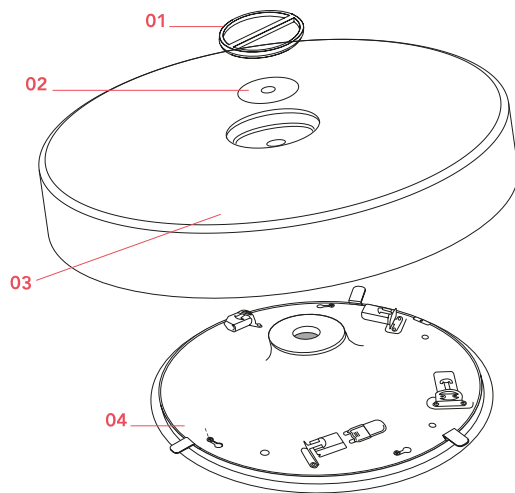


NOT INCLUDED

RF36378

LED BiPin Lamp G9 3,2W 2700K Non Dimmable

Spare Parts



- | | | |
|-----|--|-----------|
| 01. | Chrome locking cap assembly | RF3190100 |
| 02. | Silicone Seal Shore Transparent
62x13x1,5 | RF15719 |
| 03. | Opal glass diffuser for new
version | RF3190300 |
| 04. | G9 Lamp Holder | RF15709 |

DOWNLOAD



RF3190100

Chrome locking cap assembly



RF15719

Silicone Seal Shore Transparent
62x13x1,5



RF3190300

Opal glass diffuser for new
version



RF15709

G9 Lamp Holder