

ONTHEROCKS HL

Designed by Antonio Citterio and Toan Nguyen, 2003

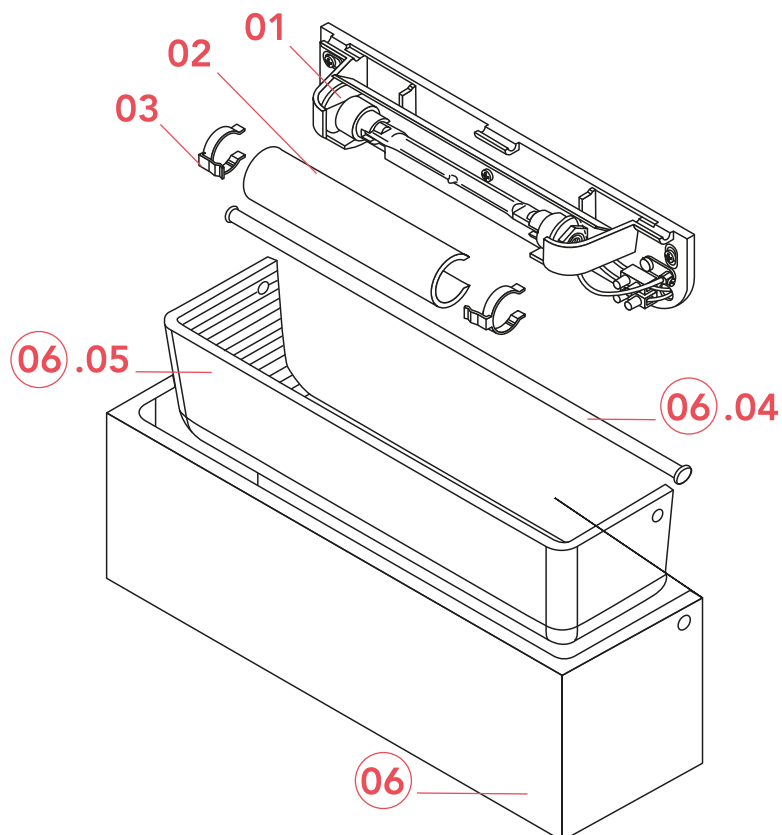
F4651000



ONTHEROCKS HL

F4651000

EN



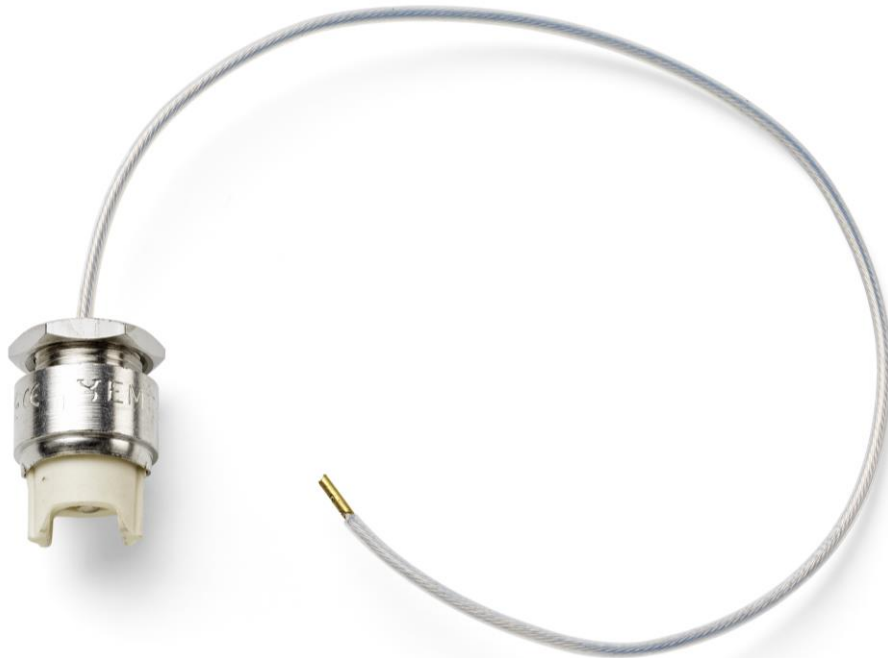
- 01. RF13559** – R7S A10V cm25 half lampholder
- 02. RF11376** – Curved sanded protection glass
- 03. RF06356** – Nickel spring for curved protection glass
- 04. RF4651200** – Rod assembly
- 05. RF13567** – Internal white diffuser
- 06. RF4651100** – Diffuser assembly

ONTHEROCKS HL F4651000

EN

RF13559

RTS A10 cm 25 HALF LAMP HOLDER



WARNING! When installing and whenever acting on the appliance, ensure that the power supply has been switched off.
For the installation of the spare-part, it is necessary to consult a qualified electrician.

©2021 Flos - All rights reserved - www.flos.com
Flos reserves the right to introduce any changes to its own models, without prior notice.

ONTHEROCKS HL F4651000

EN

RF11376

CURVED SANDED PROTECTION GLASS



WARNING! When installing and whenever acting on the appliance, ensure that the power supply has been switched off.
For the installation of the spare-part, it is necessary to consult a qualified electrician.

©2021 Flos - All rights reserved - www.flos.com

Flos reserves the right to introduce any changes to its own models, without prior notice.

ONTHEROCKS HL F4651000

EN

RF11376

CURVED SANDED PROTECTION GLASS

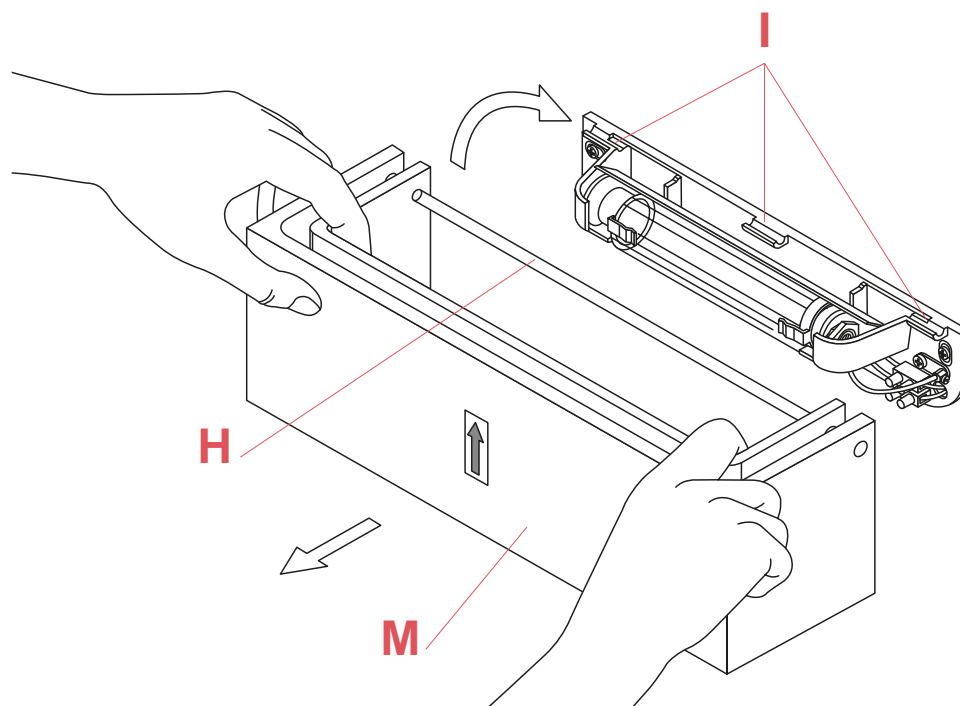


Fig.1

Remove the glass diffuser assembly (M) by unhooking the rod (H) from the seats (I).

WARNING! When installing and whenever acting on the appliance, ensure that the power supply has been switched off.
For the installation of the spare-part, it is necessary to consult a qualified electrician.

©2021 Flos - All rights reserved - www.flos.com
Flos reserves the right to introduce any changes to its own models, without prior notice.

RF11376

CURVED SANDED PROTECTION GLASS

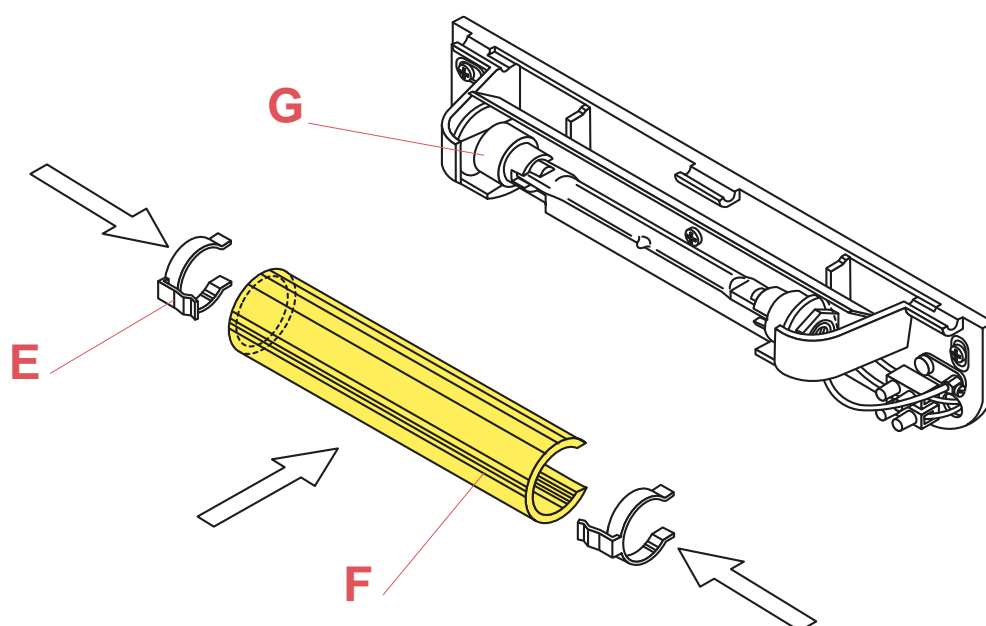


Fig.2

Collocate the spring clips (E) to the protection glass (F) and clip them on the lamp holder (G).

WARNING! When installing and whenever acting on the appliance, ensure that the power supply has been switched off.
For the installation of the spare-part, it is necessary to consult a qualified electrician.

RF11376

CURVED SANDED PROTECTION GLASS

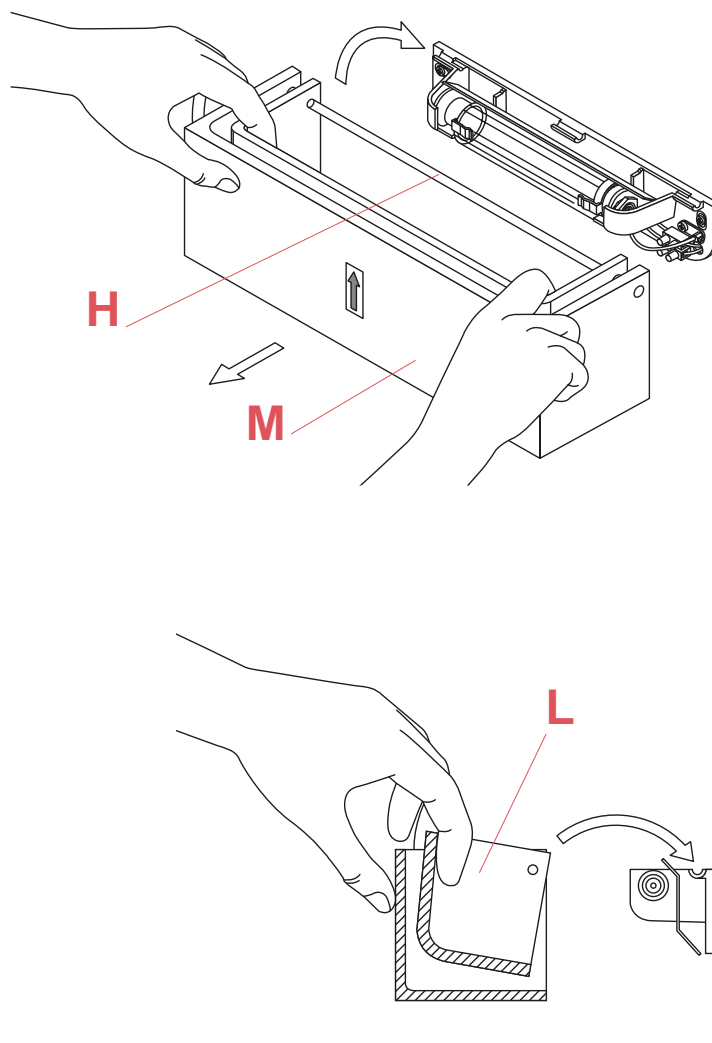


Fig.3

Collocate the diffuser assembly (M) on the wall attachment by resting the rod (H) in the appropriate seats (I).

Centre (balance) the internal white glass diffuser with the external transparent glass diffuser on the seats (I).

WARNING! When installing and whenever acting on the appliance, ensure that the power supply has been switched off. For the installation of the spare-part, it is necessary to consult a qualified electrician.

ONTHEROCKS HL F4651000

EN

RF06356

NICKEL SPRING FOR THE CURVED PROTECTION GLASS



WARNING! When installing and whenever acting on the appliance, ensure that the power supply has been switched off.
For the installation of the spare-part, it is necessary to consult a qualified electrician.

©2021 Flos - All rights reserved - www.flos.com

Flos reserves the right to introduce any changes to its own models, without prior notice.

RF06356

NICKEL SPRING FOR THE CURVED PROTECTION GLASS

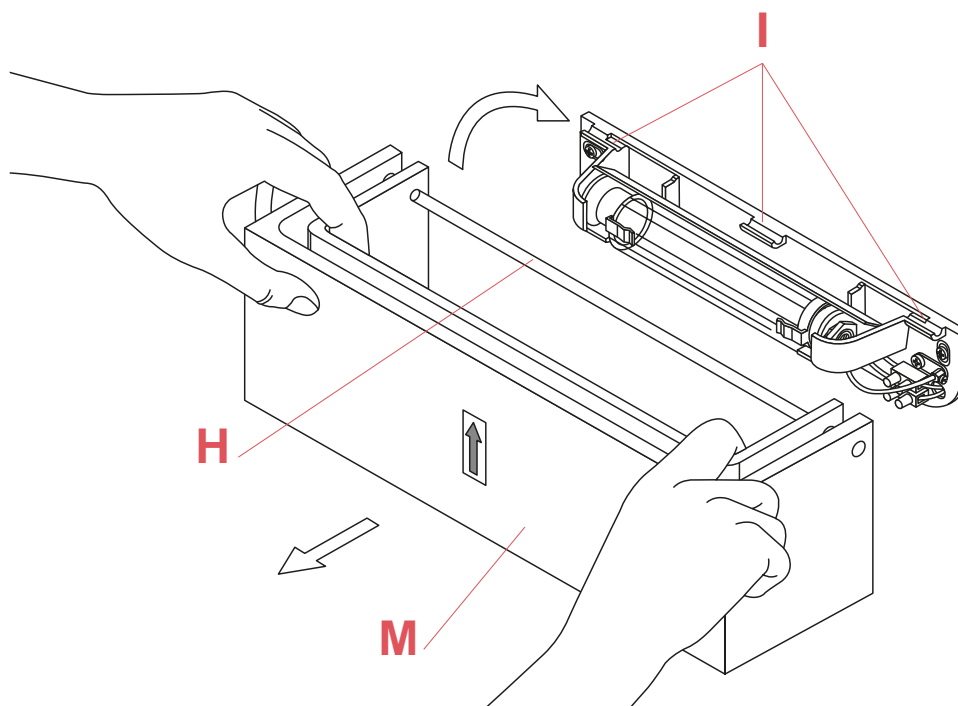


Fig.1

Remove the glass diffuser assembly (M) by unhooking the rod (H) from the seats (I).

WARNING! When installing and whenever acting on the appliance, ensure that the power supply has been switched off.
For the installation of the spare-part, it is necessary to consult a qualified electrician.

RF06356

NICKEL SPRING FOR THE CURVED PROTECTION GLASS

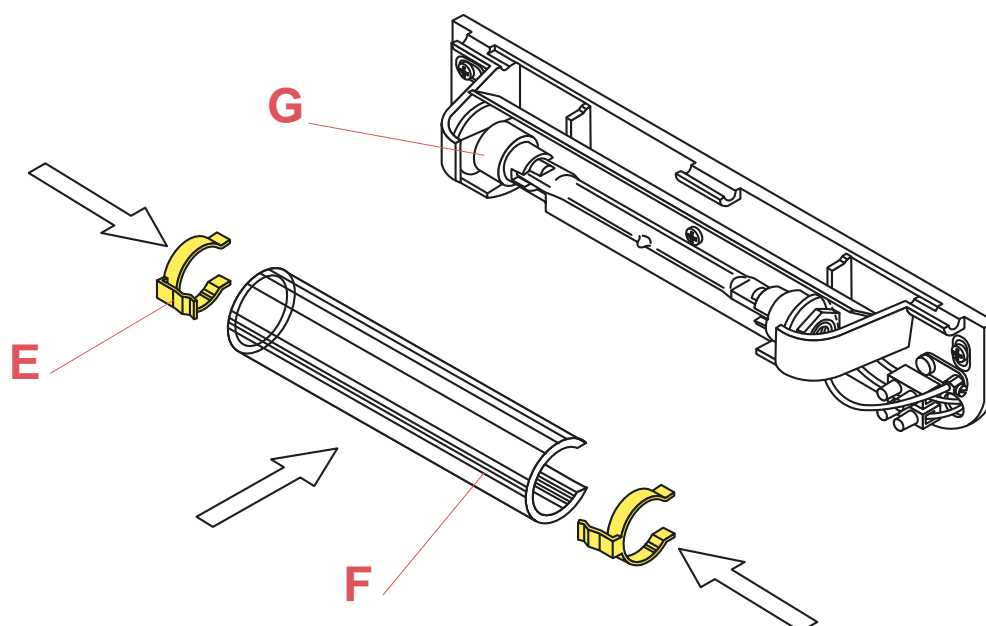


Fig.2

Collocate the spring clips (E) to the protection glass (F) and clip them on the lamp holder (G).

WARNING! When installing and whenever acting on the appliance, ensure that the power supply has been switched off.
For the installation of the spare-part, it is necessary to consult a qualified electrician.

RF06356

NICKEL SPRING FOR THE CURVED PROTECTION GLASS

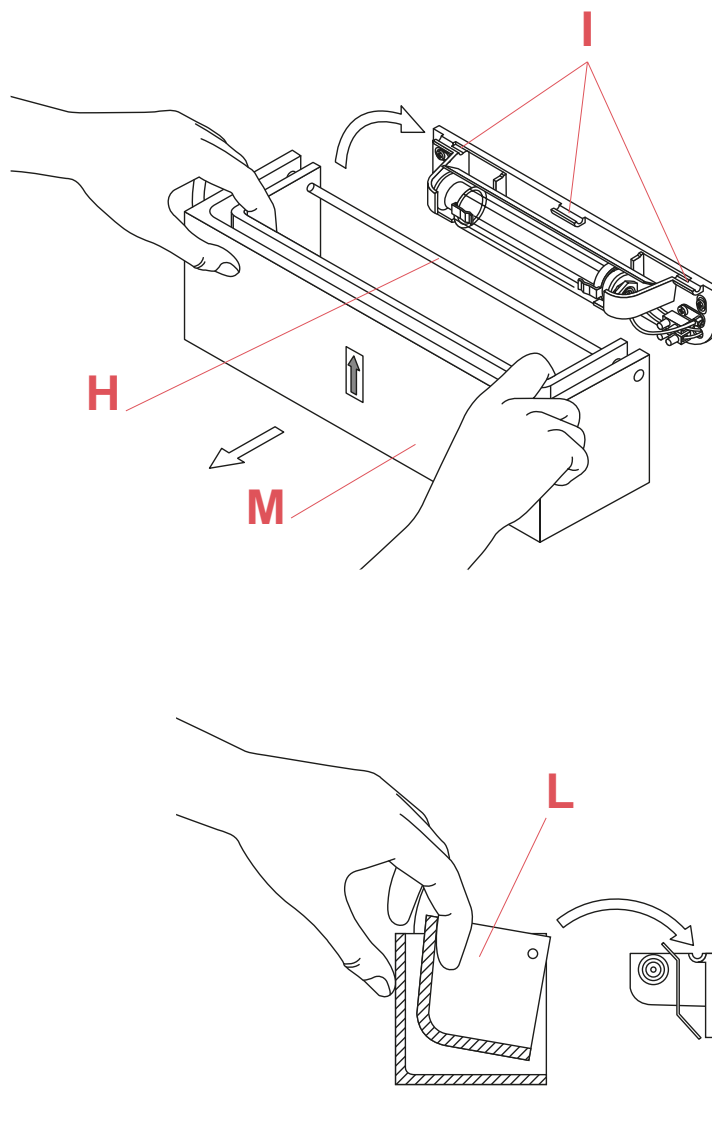


Fig.3

Collocate the diffuser assembly (M) on the wall attachment by resting the rod (H) in the appropriate seats (I).

Centre (balance) the internal white glass diffuser with the external transparent glass diffuser on the seats (I).

WARNING! When installing and whenever acting on the appliance, ensure that the power supply has been switched off.
For the installation of the spare-part, it is necessary to consult a qualified electrician.

ONTHEROCKS HL F4651000

EN

RF4651200

ROD ASSEMBLY



WARNING! When installing and whenever acting on the appliance, ensure that the power supply has been switched off.
For the installation of the spare-part, it is necessary to consult a qualified electrician.

ONTHEROCKS HL F4651000

EN

RF4651200

ROD ASSEMBLY

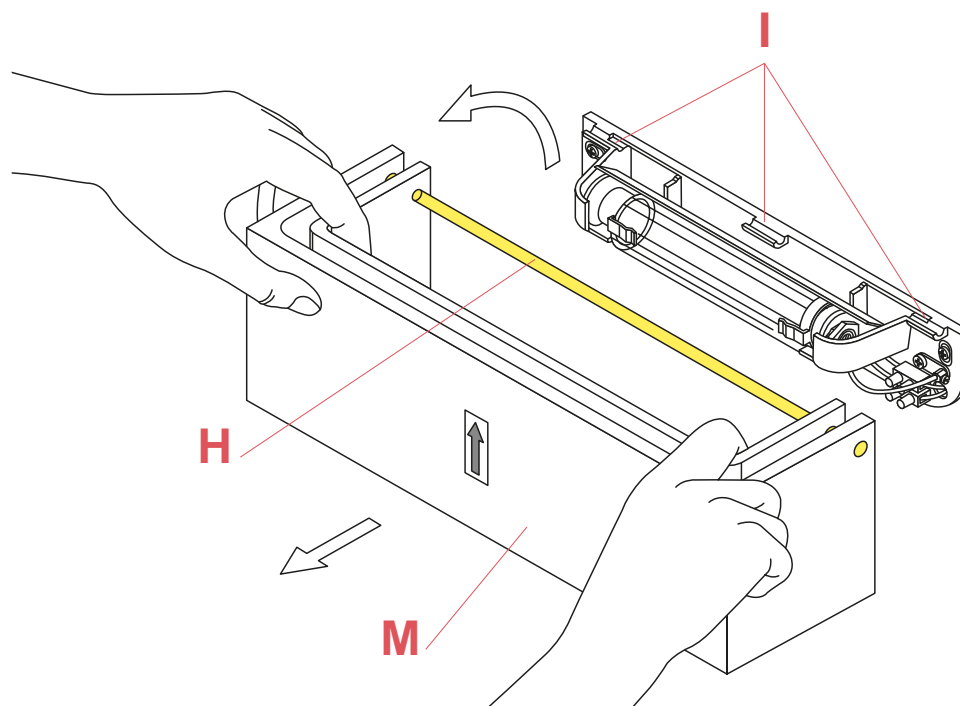


Fig.1

Remove the glass diffuser assembly (M) by unhooking the rod (H) from the seats (I).

WARNING! When installing and whenever acting on the appliance, ensure that the power supply has been switched off.
For the installation of the spare-part, it is necessary to consult a qualified electrician.

©2021 Flos - All rights reserved - www.flos.com
Flos reserves the right to introduce any changes to its own models, without prior notice.

ONTHEROCKS HL F4651000

EN

RF4651200

ROD ASSEMBLY

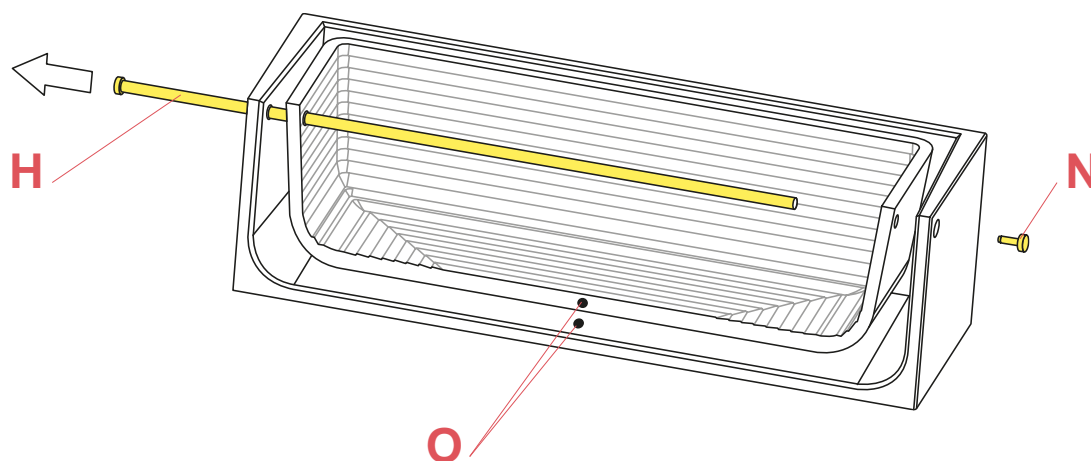


Fig.2

Remove the internal diffuser (O) by unfastening the screw (N) and by sliding-out the rod (H).
Assemble now the new spare-part:
Assemble the diffuser by inserting the rod (H) through the lateral holes and by tighten the screw (N)
onto the end side of the rod (H).

WARNING! When installing and whenever acting on the appliance, ensure that the power supply has been switched off.
For the installation of the spare-part, it is necessary to consult a qualified electrician.

RF4651200

ROD ASSEMBLY

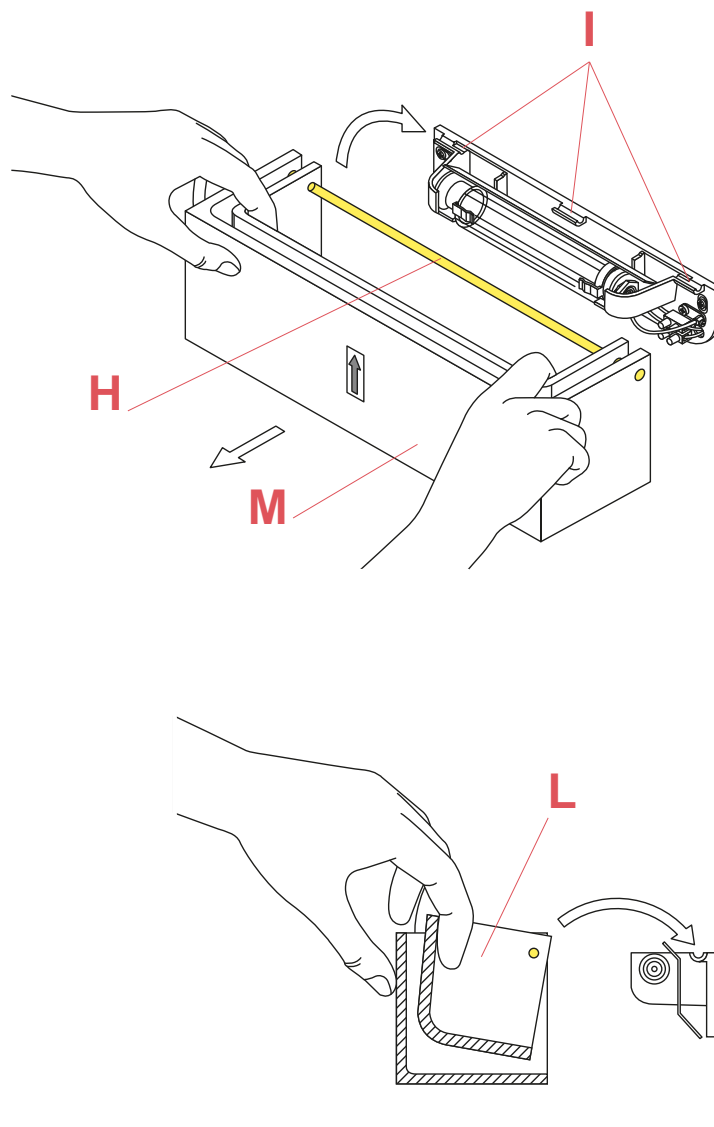


Fig.3

Collocate the diffuser assembly (M) on the wall attachment by resting the rod (H) in the appropriate seats (I).

Centre (balance) the internal white glass diffuser with the external transparent glass diffuser on the seats (I).

WARNING! When installing and whenever acting on the appliance, ensure that the power supply has been switched off.
For the installation of the spare-part, it is necessary to consult a qualified electrician.

ONTHEROCKS HL F4651000

EN

RF13567

ONTHEROCKS 1 HL INTERNAL WHITE DIFFUSER



WARNING! When installing and whenever acting on the appliance, ensure that the power supply has been switched off.
For the installation of the spare-part, it is necessary to consult a qualified electrician.

©2021 Flos - All rights reserved - www.flos.com
Flos reserves the right to introduce any changes to its own models, without prior notice.

ONTHEROCKS HL F4651000

EN

RF13567

ONTHEROCKS 1 HL INTERNAL WHITE DIFFUSER

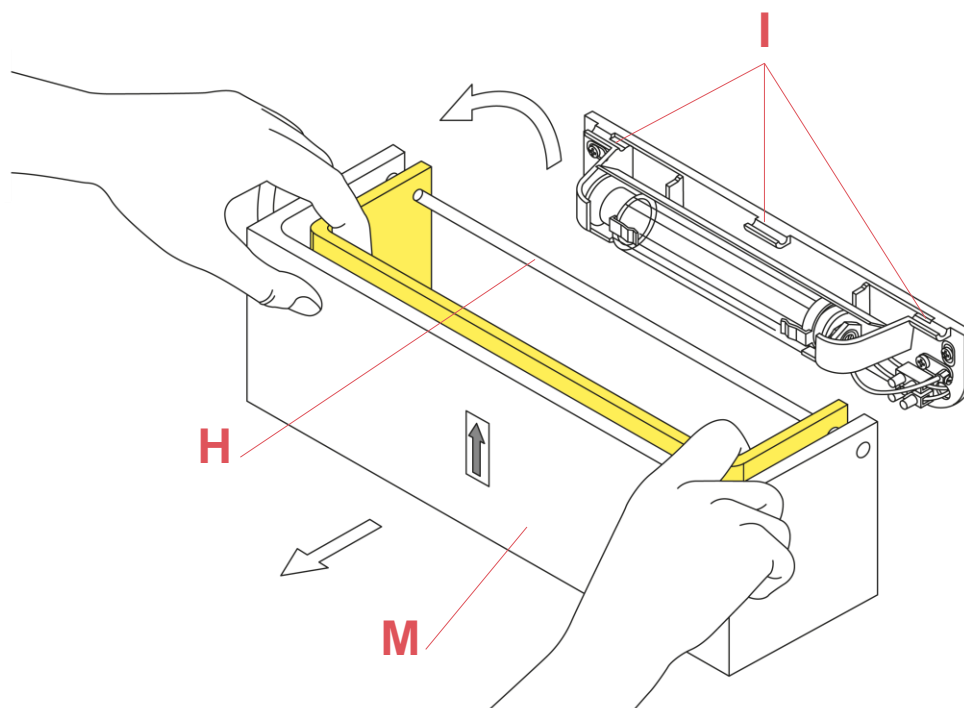


Fig.1

Remove the glass diffuser assembly (M) by unhooking the rod (H) from the seats (I).

WARNING! When installing and whenever acting on the appliance, ensure that the power supply has been switched off.
For the installation of the spare-part, it is necessary to consult a qualified electrician.

©2021 Flos - All rights reserved - www.flos.com
Flos reserves the right to introduce any changes to its own models, without prior notice.

ONTHEROCKS HL F4651000

EN

RF13567

ONTHEROCKS 1 HL INTERNAL WHITE DIFFUSER

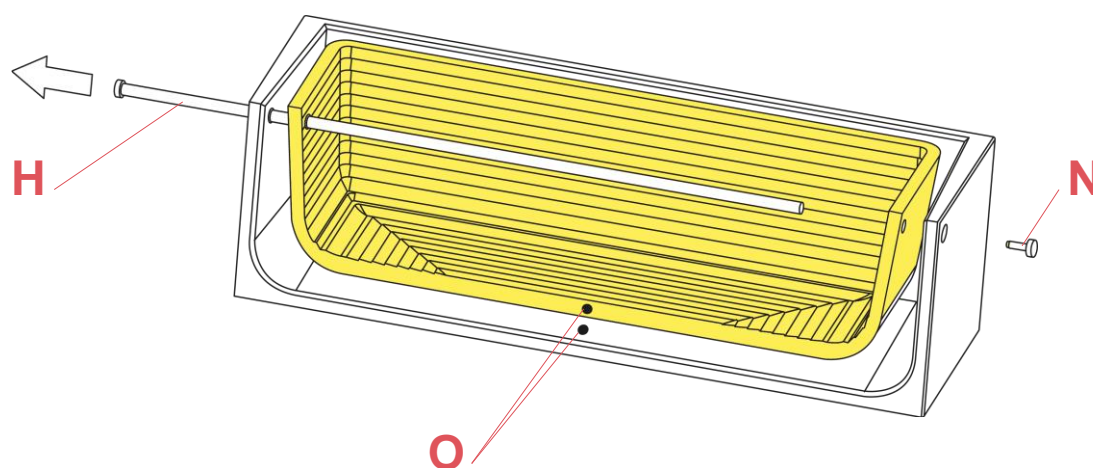


Fig.2

To remove the internal diffuser (O) it is necessary to unfasten the screw (N) and slide-out the rod (H).

Assemble now the new spare-part:

Assemble the diffusers by inserting the rod (H) through the lateral holes and by tighten the screw (N) onto the end side of the rod (H).

WARNING! When installing and whenever acting on the appliance, ensure that the power supply has been switched off.
For the installation of the spare-part, it is necessary to consult a qualified electrician.

©2021 Flos - All rights reserved - www.flos.com
Flos reserves the right to introduce any changes to its own models, without prior notice.

RF13567

ONTHEROCKS 1 HL INTERNAL WHITE DIFFUSER

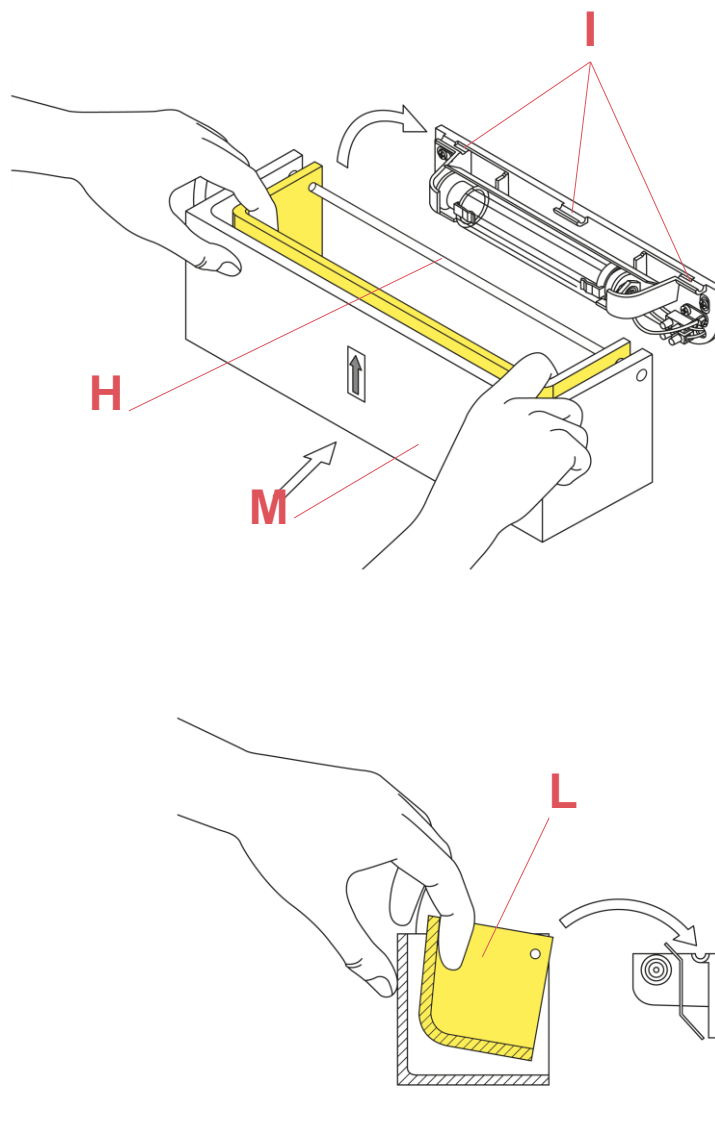


Fig.3

Collocate the diffuser assembly (M) on the wall attachment by resting the rod (H) in the appropriate seats (I).
Centre (balance) the internal white glass diffuser with the external transparent glass diffuser on the seats (I).

WARNING! When installing and whenever acting on the appliance, ensure that the power supply has been switched off.
For the installation of the spare-part, it is necessary to consult a qualified electrician.

ONTHEROCKS HL F4651000

EN

RF4651100

ONTHEROCKS 1 HL DIFFUSER ASSEMBLY



WARNING! When installing and whenever acting on the appliance, ensure that the power supply has been switched off.
For the installation of the spare-part, it is necessary to consult a qualified electrician.

©2021 Flos - All rights reserved - www.flos.com

Flos reserves the right to introduce any changes to its own models, without prior notice.

RF4651100

ONTHEROCKS 1 HL DIFFUSER ASSEMBLY

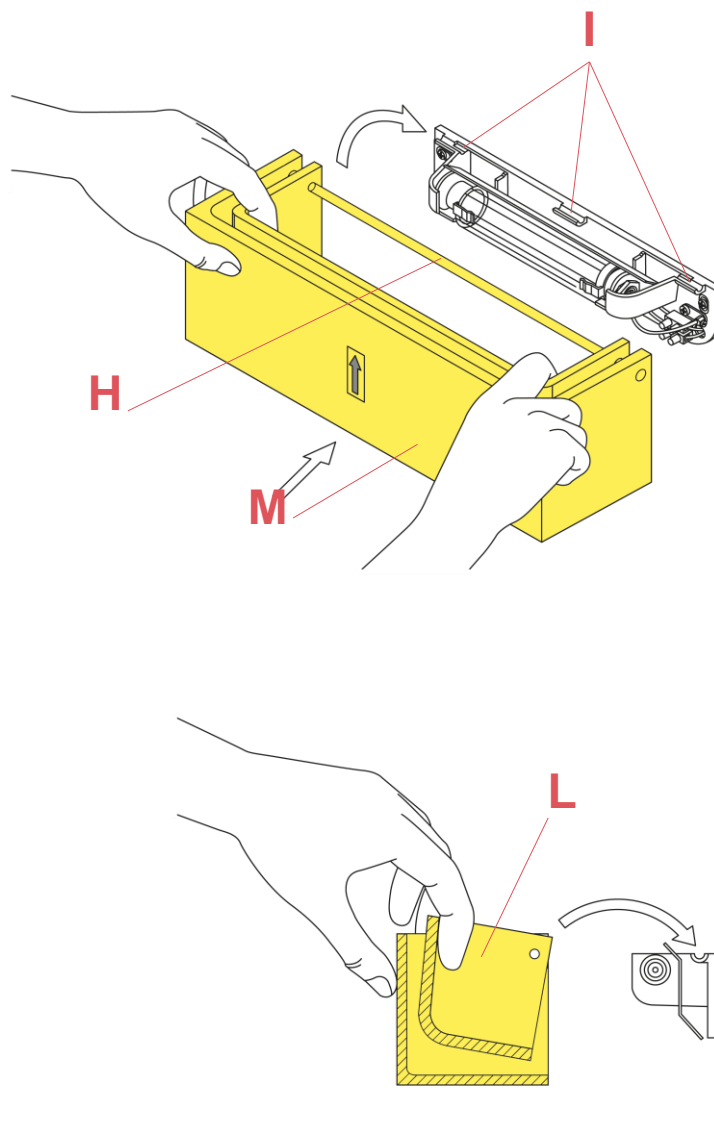


Fig.1

Collocate the diffuser on the wall attachment by resting the rod (H) in the appropriate seats (I) and by ensuring to respect the assembly direction as pointed out from the label (M).

To facilitate such procedure, hold the internal diffuser (L) by lifting it up as indicated in the figure on the left hand side.

Once completed the assembly, remove the arrow label (M).

WARNING! When installing and whenever acting on the appliance, ensure that the power supply has been switched off. For the installation of the spare-part, it is necessary to consult a qualified electrician.