

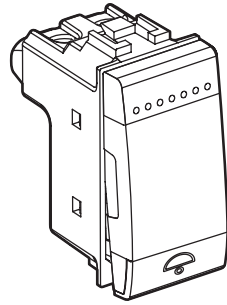
LIVING LIGHT

Basic control devices

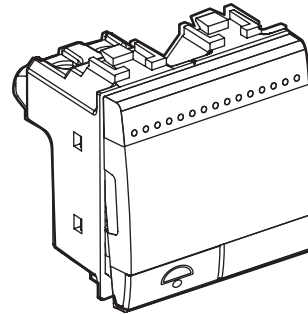
Push-buttons with symbols

Cat. No(s): L/N/NT4042N - L/N/NT4043N - L/N/NT4042M2N

L/N/NT4043M2N



N4042N



N4042M2N

1. USE

Rocker control device for lighting and other control.

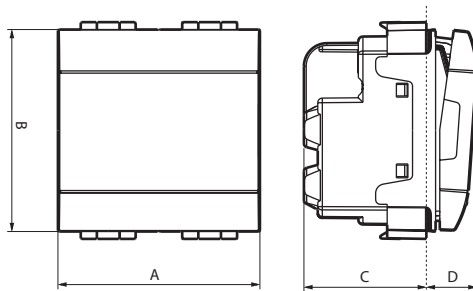
2. RANGE

Designation	Ref. 1 module	Ref. 2 modules
Push-button with symbols 1 P (No) 10 A 250 VAC	L4042N N4042N NT4042N L4043N N4043N NT4043N	L4042N L4042M2N N4042M2N NT4042M2N L4043M2A N4043M2A NT4043M2A

Index of colour:

L : Anthracite
N : White
NT : Tech

3. OVERALL DIMENSIONS (mm)



	A	B	C	D
1 module	21.8	43.8	25	11
2 modules	43.8	43.8	25	11

4. CONNECTION

Screw clamps for references: L/N/NT4042N
L/N/NT4043N
L/N/NT4042M2N
L/N/NT4043M2N
Stripping length (rigid or flexible cables): 9 mm

5. TECHNICAL CHARACTERISTICS

■ 5.1 Protection index

Penetration by solid bodies/liquid: IP 21 D
Impact test: IK 04

■ 5.2 Material characteristics

Material: Polycarbonate for mechanism case
ABS for key rocker

Colour: Anthracite, White, Tech

Halogen free.

UV resistant.

Self-extinguishing:

- 850° C / 30 s for insulating parts holding live parts in place.

- 650° C / 30 s for other parts made of insulating materials.

■ 5.3 Electrical characteristics

Voltage: 250 VAC

Current: 10 A

■ 5.4 Climatic characteristics

Storage and operating temperatures: - 5° C to + 35° C

6. CLEANING

Surface cleaning with a cloth.

Do not use: acetone, tar remover, trichloroethylene.

7. STANDARDS AND APPROVALS

Compliance with standards of installation and manufacturing.

Refer to e.catalogue.