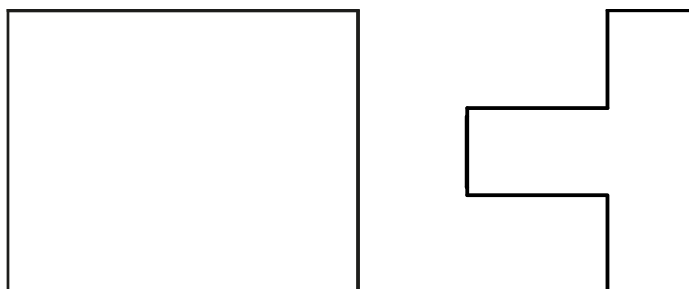


## TIGHT LIGHT

Designed by Piero Lissoni, 2011

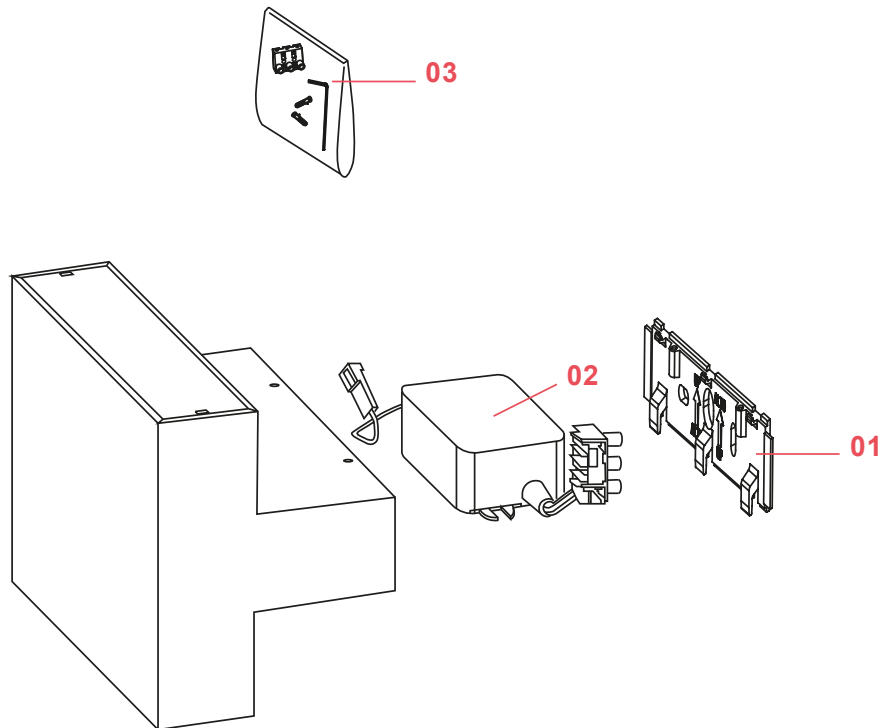
F0011009



## TIGHT LIGHT

F0011009

EN



**01. RF21151** – Wall attachment

**02. RF0011100** – Driver assembly

**03. RF0011200** – Kit with locking screws and terminal box

TIGHT LIGHT F0011009

EN

## RF21151

WALL ATTACHMENT



WARNING! When installing and whenever acting on the appliance, ensure that the power supply has been switched off.  
For the installation of the spare-part, it is necessary to consult a qualified electrician.

©2021 Flos - All rights reserved - [www.flos.com](http://www.flos.com)

Flos reserves the right to introduce any changes to its own models, without prior notice.

## RF21151

### WALL ATTACHMENT

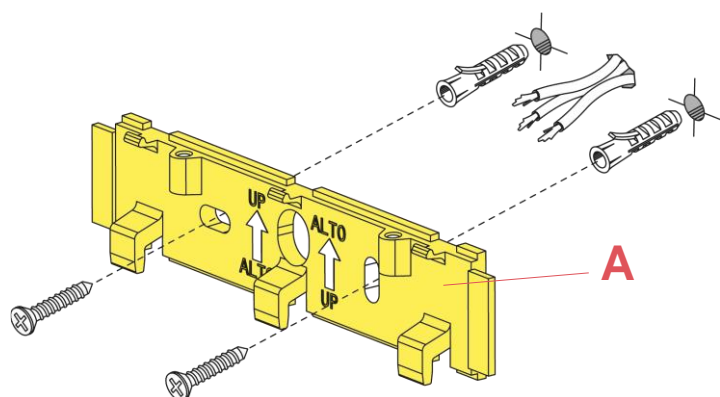


Fig.1

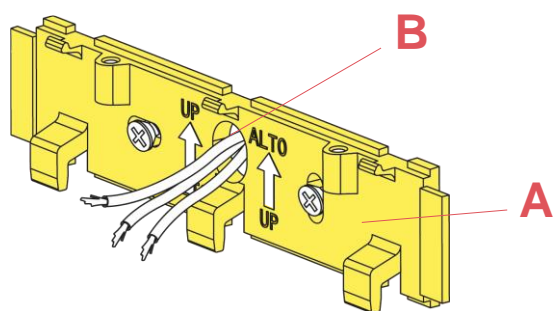


Fig.2

Fix the wall attachment (A) with screws and wall plugs ensuring to pass the electrical wires from the ceiling through the cable opening (B) of the wall attachment. Ensure to install the wall attachment in the correct direction respecting the symbol UP.

**REMARK:** Choose screw plugs that are suitable for the installation surface

TIGHT LIGHT F0011009

EN

**RF0011100**

DRIVER ASSEMBLY



WARNING! When installing and whenever acting on the appliance, ensure that the power supply has been switched off.  
For the installation of the spare-part, it is necessary to consult a qualified electrician.

TIGHT LIGHT F0011009

EN

## RF0011100

DRIVER ASSEMBLY

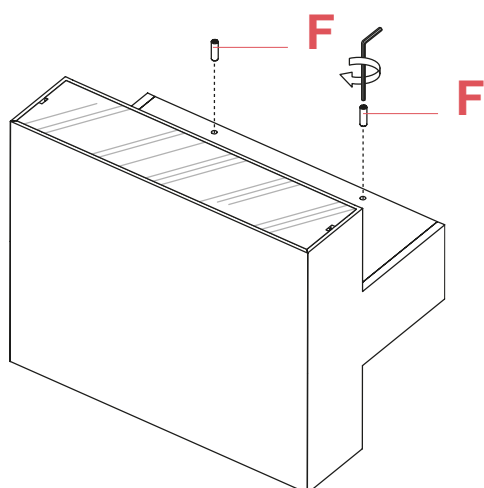


Fig.1

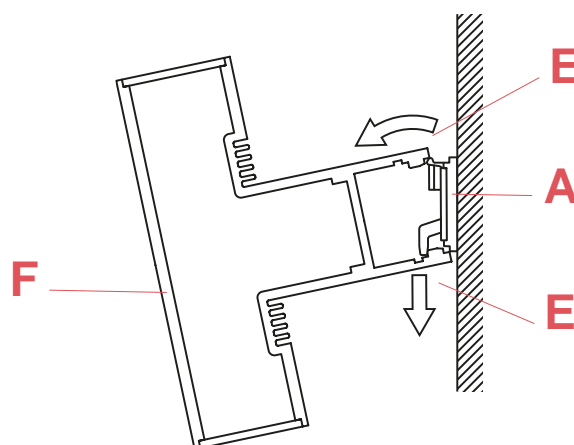


Fig.2

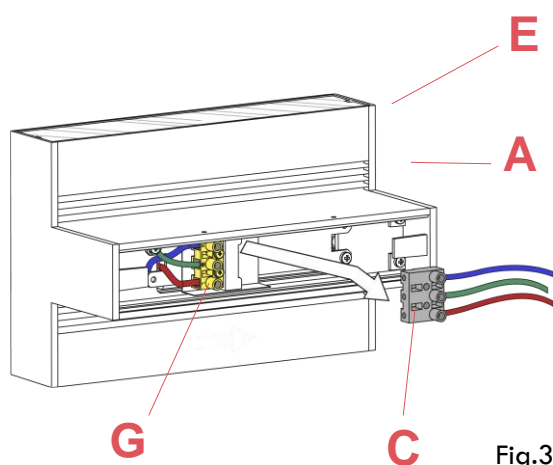


Fig.3

Unfasten the screws (F) through the Allen key tool (E).(Fig.1)

Remove the body (D) of the device from the wall attachment (A) by unhooking it from the hooks (E) present on the wall attachment.(Fig.2)

Disconnect the female connector (C) from the male connector (G).(Fig.3)

**WARNING!** When installing and whenever acting on the appliance, ensure that the power supply has been switched off.  
For the installation of the spare-part, it is necessary to consult a qualified electrician.

TIGHT LIGHT F0011009

EN

## RF0011100

DRIVER ASSEMBLY

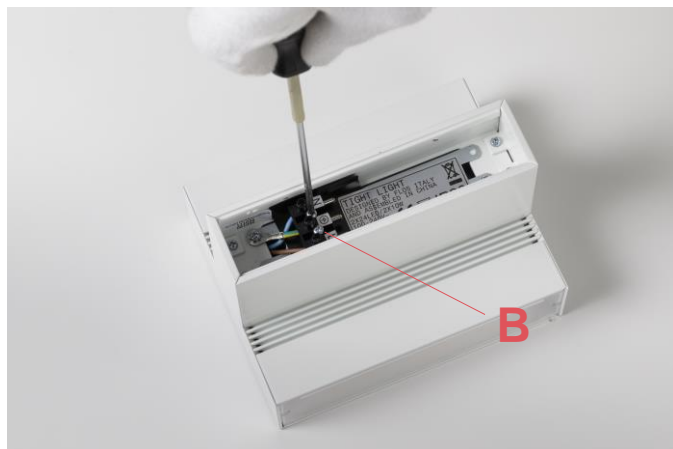


Fig.4

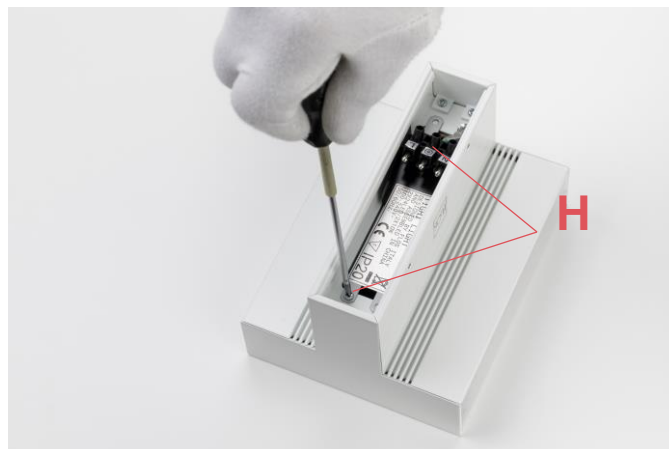


Fig.5

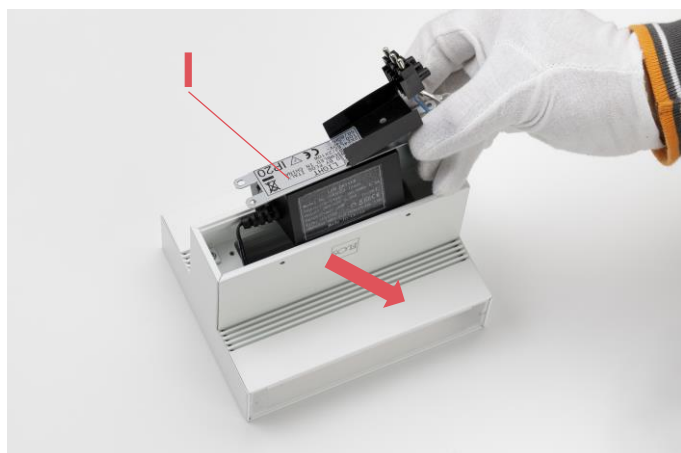


Fig.6



Fig.7

- Unfasten the two connector fixing screws (B).(Fig.4)
- Unfasten the two diagonal screws (H) that fix the driver bracket (I) to the lamp body.(Fig.5)
- Lift-up the driver bracket (I) from the lamp body.
- Disconnect the connectors (J) and unfasten the driver screws (K). (Fig.7)

**WARNING!** When installing and whenever acting on the appliance, ensure that the power supply has been switched off.  
For the installation of the spare-part, it is necessary to consult a qualified electrician.

TIGHT LIGHT F0011009

EN

## RF0011100

DRIVER ASSEMBLY

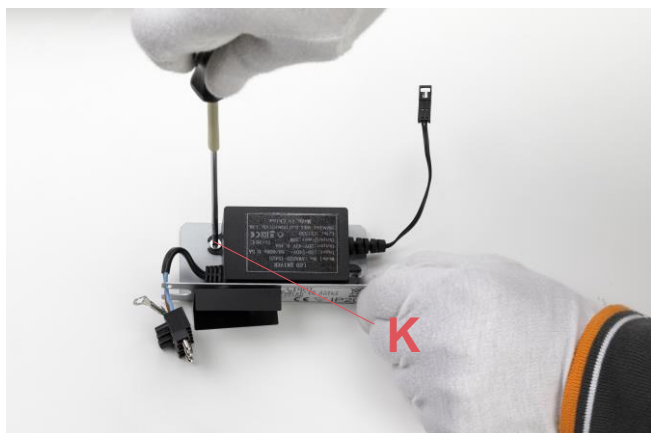


Fig.8



Fig.9

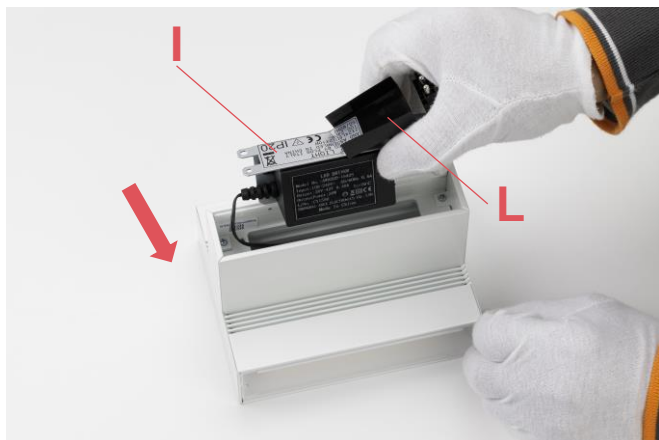


Fig.10

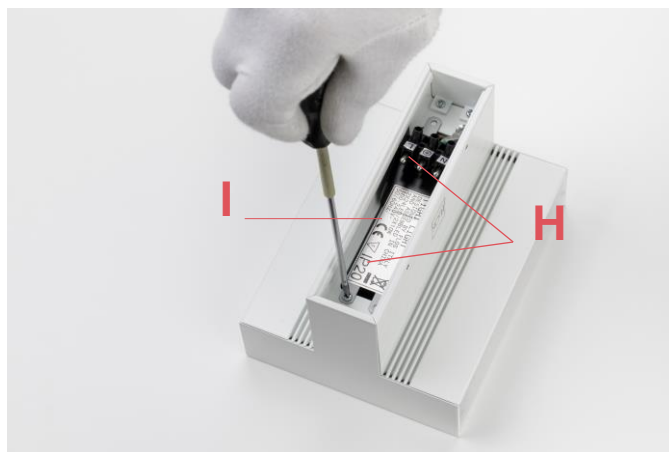


Fig.11

Assemble now the spare-part:

Mount the driver on the bracket by fastening the screw (K).(Fig.8)

Connect the connectors (J).(Fig.9)

Insert the driver bracket (I) in the lamp body. Ensure that the driver male connector (L) stays out from the lamp body (I).(Fig.10)

Fasten the two diagonal screws (H) that fix the driver bracket (I) to the lamp body.

**REMARK:** Before fasten the screw present near the male connector, connect the ground terminal to the screw hole and then fasten the screw.(Fig.11)

Fasten the two screws (B) of the male connector.(Fig.4 page 7)

WARNING! When installing and whenever acting on the appliance, ensure that the power supply has been switched off.  
For the installation of the spare-part, it is necessary to consult a qualified electrician.



TIGHT LIGHT F0011009

EN

## RF0011100

DRIVER ASSEMBLY

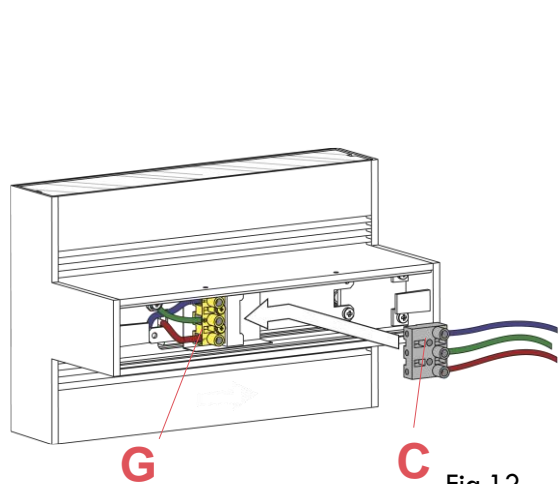


Fig.12

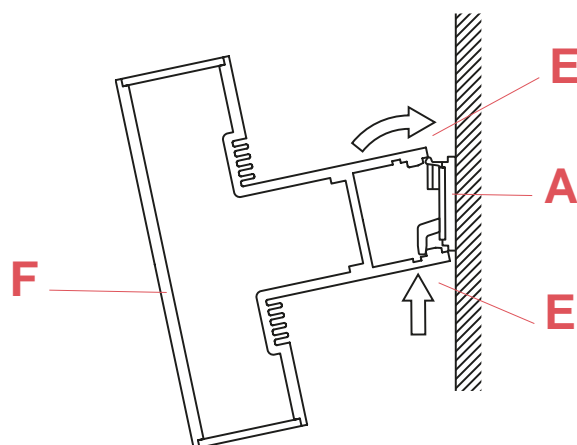


Fig.13

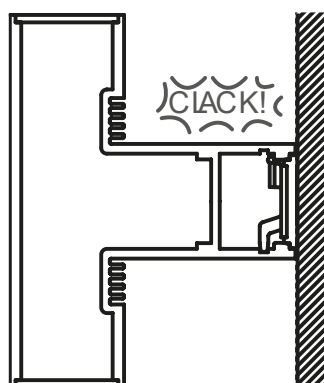


Fig.14

Connect the female connector (C) to the male connector (G).(Fig.12)

Mount the body (D) of the device to the wall attachment (A), ensure that the hooks correspond with there apposite grooves (E) and continue until the device is completely hooked-on.(Fig.13-14)

**WARNING!** When installing and whenever acting on the appliance, ensure that the power supply has been switched off.  
For the installation of the spare-part, it is necessary to consult a qualified electrician.

TIGHT LIGHT F0011009

EN

**RF0011200**

KIT WITH LOCKING SCREWS AND TERMINAL BOX



WARNING! When installing and whenever acting on the appliance, ensure that the power supply has been switched off.  
For the installation of the spare-part, it is necessary to consult a qualified electrician.

TIGHT LIGHT F0011009

EN

## RF0011200

KIT WITH LOCKING SCREWS AND TERMINAL BOX

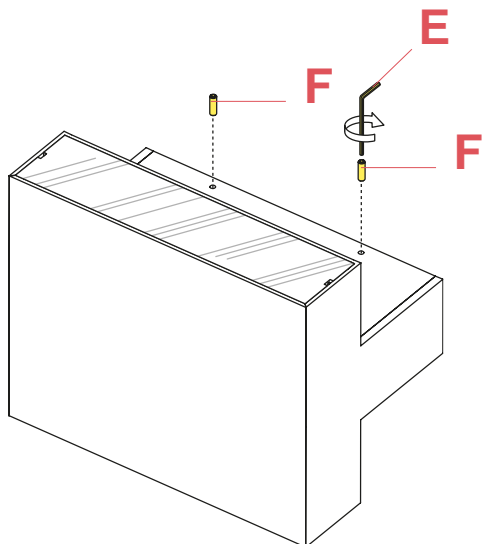


Fig.1

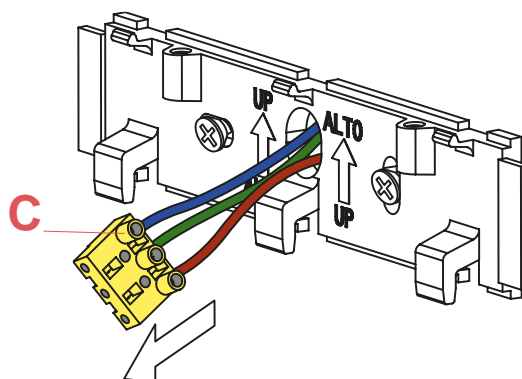


Fig.2

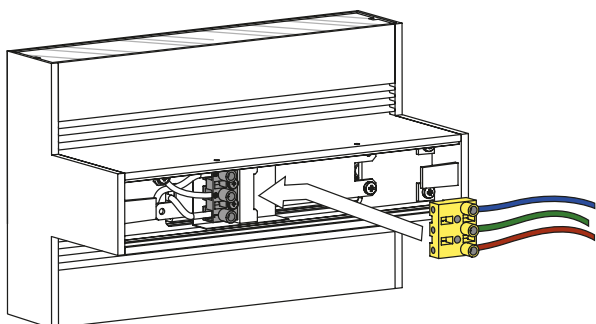


Fig.3

Lock the lamp to the wall attachment by fastening the screws (F) through the Allen key tool (E).(Fig.1)

Connect the electrical wires that come out from the wall to the terminal box female connector by respecting the polarities.

The ground wire (yellow-green) has to be connected to the middle terminal.(Fig.2)

Connect the female connector (C) to the male connector (G) of the device.(Fig.3)

**WARNING!** When installing and whenever acting on the appliance, ensure that the power supply has been switched off.  
For the installation of the spare-part, it is necessary to consult a qualified electrician.

TIGHT LIGHT F0011009

EN

## RF0011200

KIT WITH LOCKING SCREWS AND TERMINAL BOX

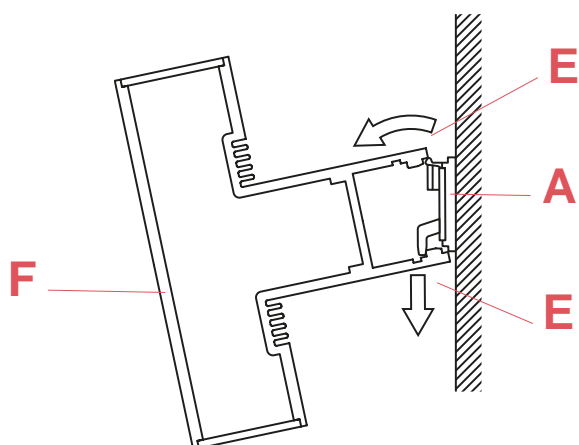


Fig.4

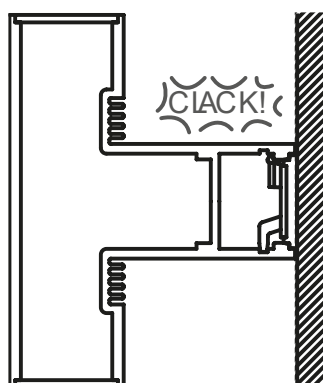


Fig.5

Mount the body (D) of the device to the wall attachment (A), ensure that the hooks correspond with there apposite grooves (E) and continue until the device is completely hooked-on.

WARNING! When installing and whenever acting on the appliance, ensure that the power supply has been switched off.  
For the installation of the spare-part, it is necessary to consult a qualified electrician.

TIGHT LIGHT F0011009

EN

**RF0011200**

KIT WITH LOCKING SCREWS AND TERMINAL BOX

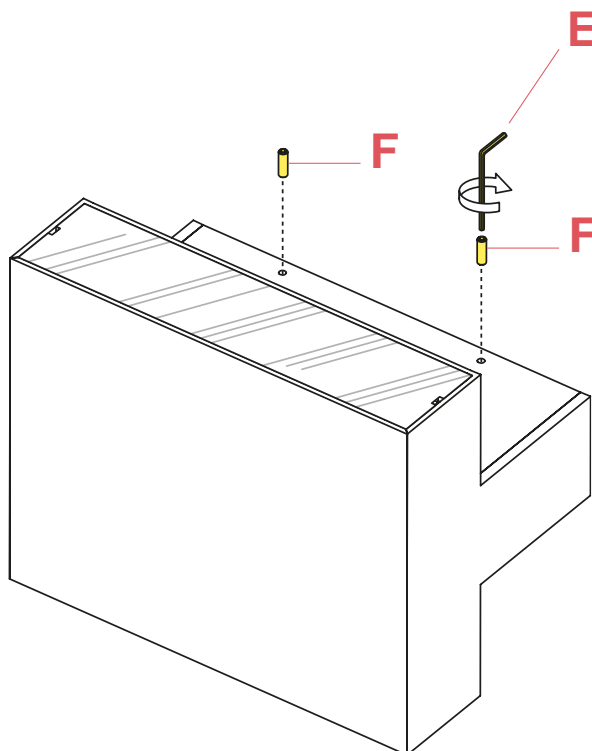


Fig.6

Lock the lamp to the wall attachment by fastening the screws (F) through the Allen key tool (E).

WARNING! When installing and whenever acting on the appliance, ensure that the power supply has been switched off.  
For the installation of the spare-part, it is necessary to consult a qualified electrician.

©2021 Flos - All rights reserved - [www.flos.com](http://www.flos.com)  
Flos reserves the right to introduce any changes to its own models, without prior notice.