

FLOS

F0011009 White

Tight Light

Designed by Piero Lissoni, 2011

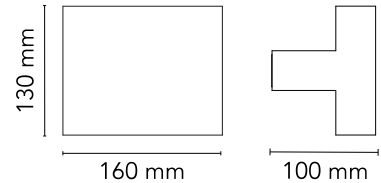


20W - 1989lm - 3000K

Direct/indirect light wall lamp. Body in painted extruded aluminium. Lateral friezes in pressofused aluminium turned up to 45° on digital control for perfect mating with the lamp body. Diffusers in injection printed PMMA with photo-engraved finish. Injection printed wall attachment in PA66. Multi-voltage power pack integrated in the body.

Are you a professional and your project needs consulting and support?

[BOOK AN APPOINTMENT](#)



Main specifications

EAN	8059607013045
Mounting	Wall
Environments	Indoor dry location
Light Source Type	LED
LED type	LED Module
Power (W)	20
System flux (lm)	1989

Physical

Colour	White
Net weight (kg)	1
Package height (mm)	160
Package width (mm)	180
Package length (mm)	210
Package volume (m3)	0.01
IP internal	20

Download

[Mounting instructions](#)  PDF

[Spare Parts](#)  PDF

Photometric Files

[LDT / IES](#)  LDT

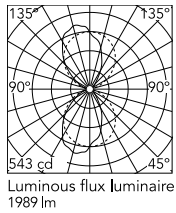
Technical Drawings

[2D](#)  ZIP

[3D](#)  ZIP



Schematic light drawing



Beam Angle:

h(m)	E(lx)	D(m)
1	516	1.42
2	129	2.83
3	57	4.25
4	32	5.67
5	21	7.08

Photometric

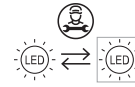
Light distribution	Symmetric
CCT (K)	3000
Extreme cut off	No

Electrical

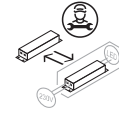
Insulation class	I
Frequency (Hz)	50/60
Main voltage (Vac)	100-240
LED voltage Vf (Vdc)	null
Power Supply	Integrated
Dimmable	No
Power Supply Type	Non Dimmable
Dimming interface	Not Dimmable
Batteries inside	No

Ecodesign and Energy Labelling

This product contains a light source of energy efficiency class **D**

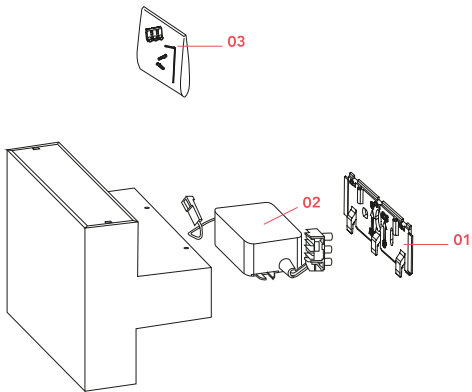


Replaceable (LED only) light source by a professional



Replaceable control gear by a professional

Spare Parts



- | | | |
|-----|--|-----------|
| 01. | Wall attachment | RF21151 |
| 02. | Driver assembly | RF0011100 |
| 03. | Kit with locking screws and terminal box | RF0011200 |

DOWNLOAD



RF21151

Wall attachment



RF0011100

Driver assembly



RF0011200

Kit with locking screws and
terminal box