

## WIRERING

Designed by Formafantasma, 2018

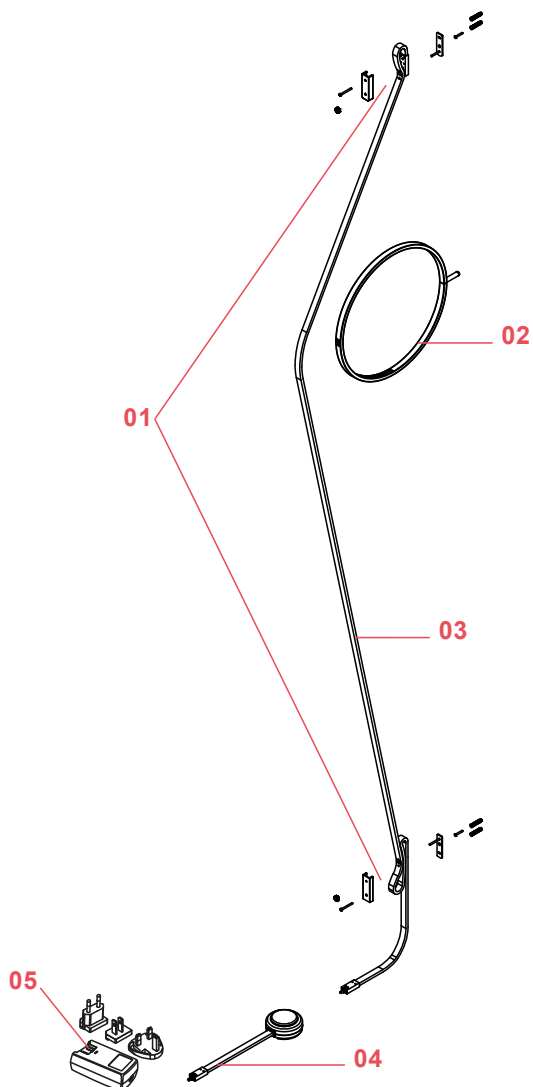
F9512030



## WIRERING

F9512030

EN



**01. RF9510500** – Kit with screws, nuts and components

**02. RF26678** – Ring assembly

**03. RF26650** – Electrical mounting assembly with dimmer

**04. RF26644** – Electrical mounting body assembly

**05. RF3320100** – Plug kit + black driver

WIRERING F9512030

EN

## RF9510500

KIT WITH SCREWS, NUTS AND COMPONENTS



WARNING! When installing and whenever acting on the appliance, ensure that the power supply has been switched off.  
For the installation of the spare-part, it is necessary to consult a qualified electrician.

WIRERING F9512030

EN

## RF26678

RING ASSEMBLY



WARNING! When installing and whenever acting on the appliance, ensure that the power supply has been switched off.  
For the installation of the spare-part, it is necessary to consult a qualified electrician.

©2021 Flos - All rights reserved - [www.flos.com](http://www.flos.com)

Flos reserves the right to introduce any changes to its own models, without prior notice.

WIRERING F9512030

EN

## RF26678

RING ASSEMBLY

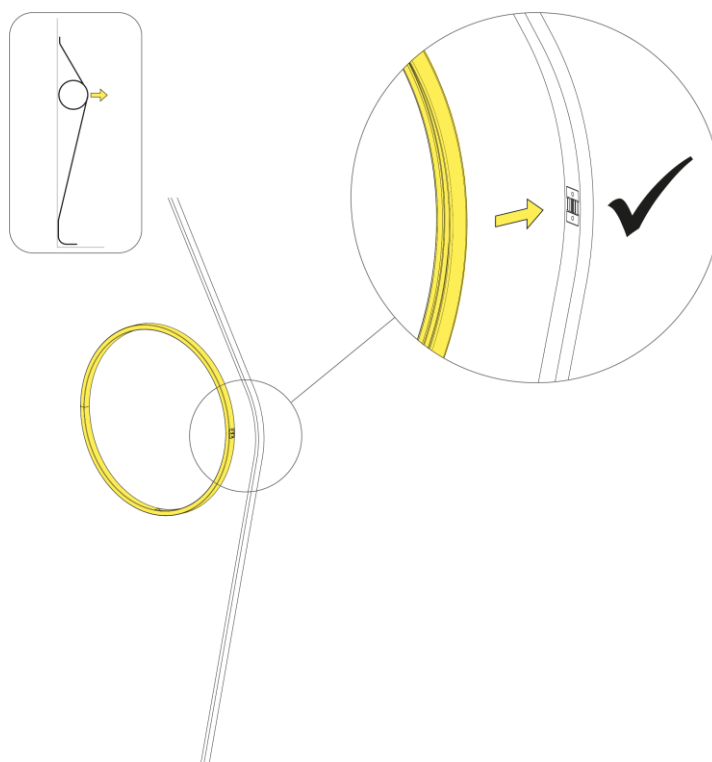


Fig.1

Disconnect the body lamp from the old ring.

WARNING! When installing and whenever acting on the appliance, ensure that the power supply has been switched off.  
For the installation of the spare-part, it is necessary to consult a qualified electrician.

## RF26678

### RING ASSEMBLY

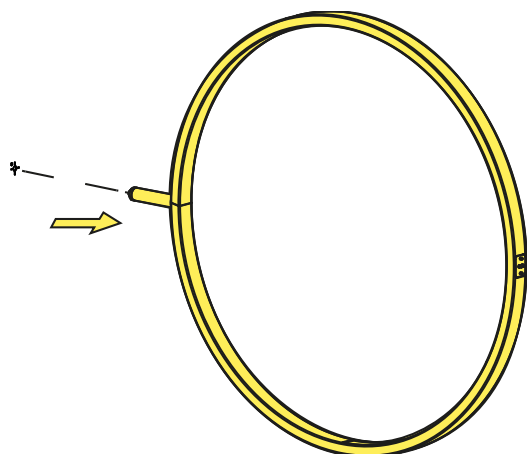


Fig.2 Remove the old ring from the wall.

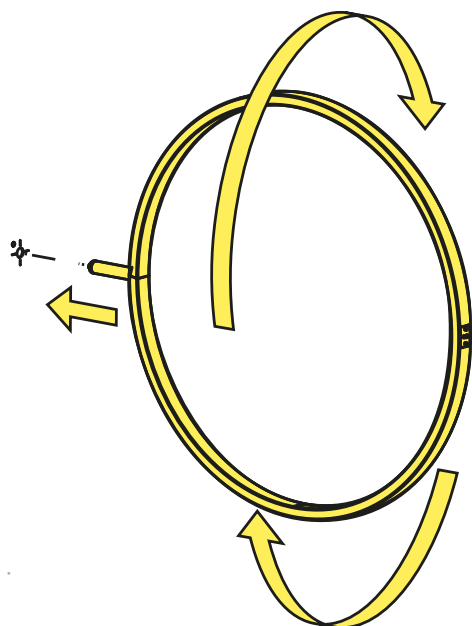


Fig.3 Insert the new ring in the hole into the wall.

WARNING! When installing and whenever acting on the appliance, ensure that the power supply has been switched off.  
For the installation of the spare-part, it is necessary to consult a qualified electrician.

## RF26678

RING ASSEMBLY

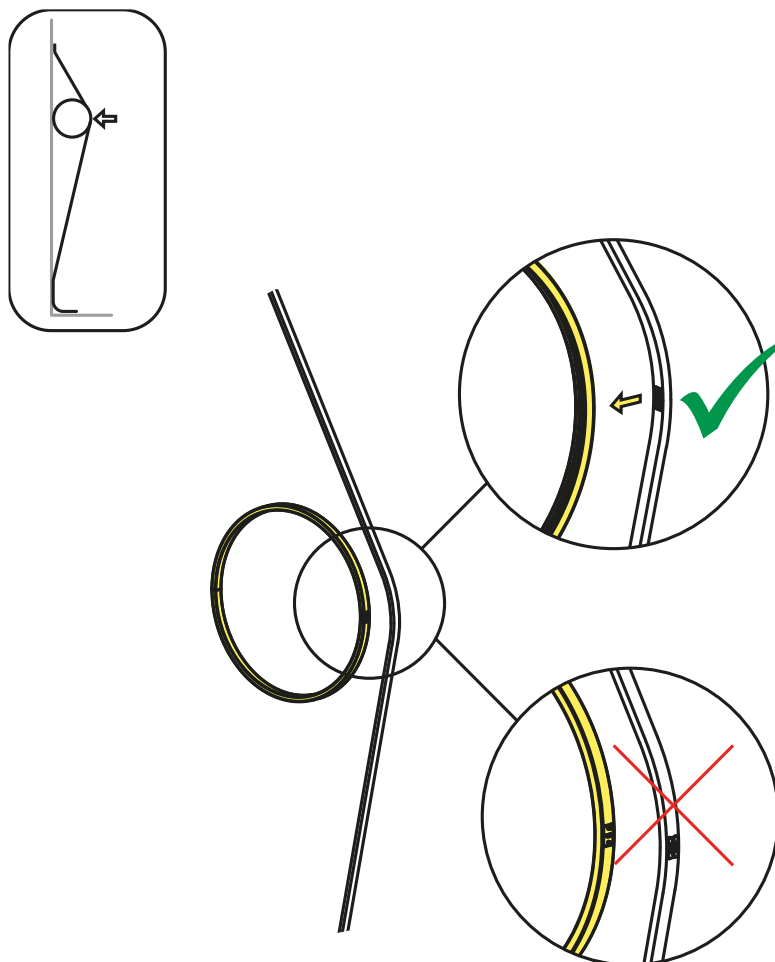


Fig.4

Connect the body lamp to the new ring respecting the correct installation direction.

WARNING! When installing and whenever acting on the appliance, ensure that the power supply has been switched off.  
For the installation of the spare-part, it is necessary to consult a qualified electrician.

WIRERING F9512030

EN

## RF26650

ELECTRICAL MOUNTING BODY ASSEMBLY



WARNING! When installing and whenever acting on the appliance, ensure that the power supply has been switched off.  
For the installation of the spare-part, it is necessary to consult a qualified electrician.

©2021 Flos - All rights reserved - [www.flos.com](http://www.flos.com)

Flos reserves the right to introduce any changes to its own models, without prior notice.



WIRERING F9512030

EN

**RF26650**

ELECTRICAL MOUNTING BODY ASSEMBLY

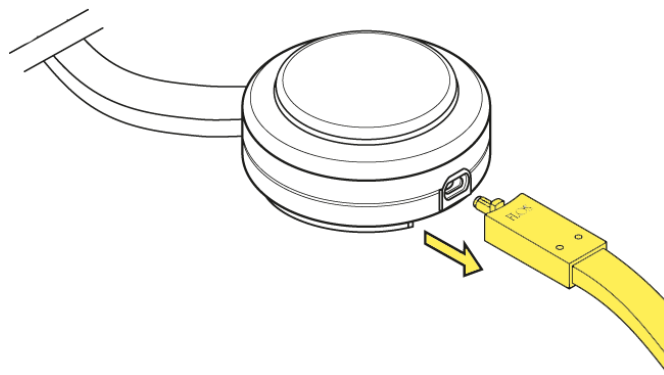


Fig.1

Disconnect the plug of the old body lamp from the dimmer unit by rotating it 90° counterclockwise.

WARNING! When installing and whenever acting on the appliance, ensure that the power supply has been switched off.  
For the installation of the spare-part, it is necessary to consult a qualified electrician.

©2021 Flos - All rights reserved - [www.flos.com](http://www.flos.com)  
Flos reserves the right to introduce any changes to its own models, without prior notice.

## RF26650

### ELECTRICAL MOUNTING BODY ASSEMBLY

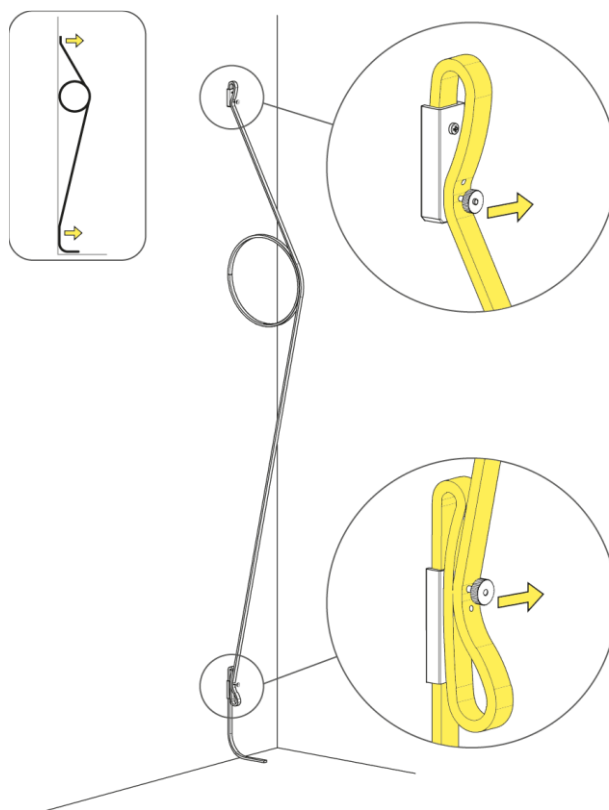


Fig.2

Unscrew and remove the ferrule.

**WARNING!** When installing and whenever acting on the appliance, ensure that the power supply has been switched off. For the installation of the spare-part, it is necessary to consult a qualified electrician.

## RF26650

### ELECTRICAL MOUNTING BODY ASSEMBLY

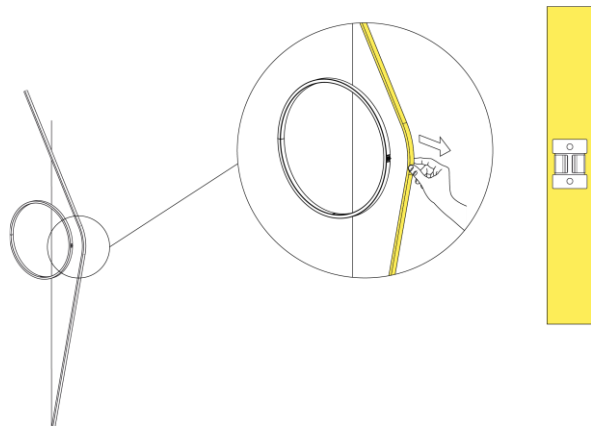


Fig.3 Disconnect the body lamp by the ring.

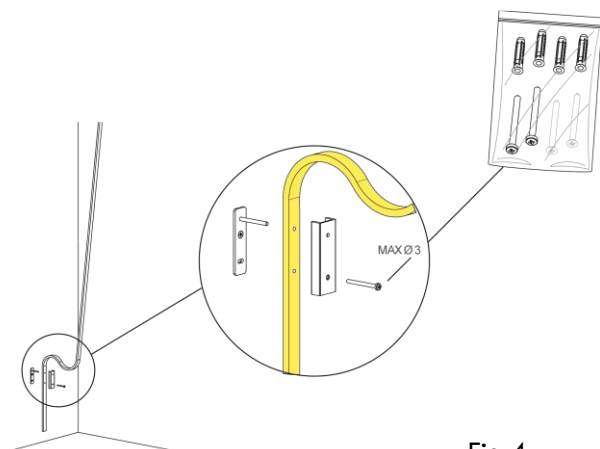


Fig.4 Unfasten the screws and remove the cover of the lower joint.

WARNING! When installing and whenever acting on the appliance, ensure that the power supply has been switched off. For the installation of the spare-part, it is necessary to consult a qualified electrician.

## RF26650

### ELECTRICAL MOUNTING BODY ASSEMBLY

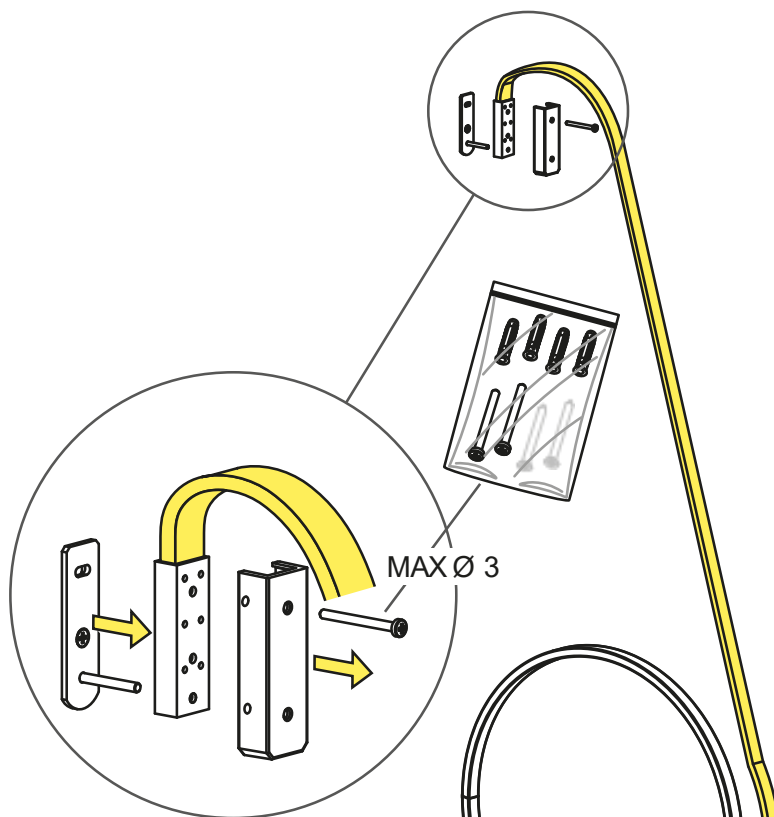


Fig.5

Unfasten the screws and remove the cover of the higher joint.

Pull the old cable out.

WARNING! When installing and whenever acting on the appliance, ensure that the power supply has been switched off.  
For the installation of the spare-part, it is necessary to consult a qualified electrician.

## RF26650

### ELECTRICAL MOUNTING BODY ASSEMBLY

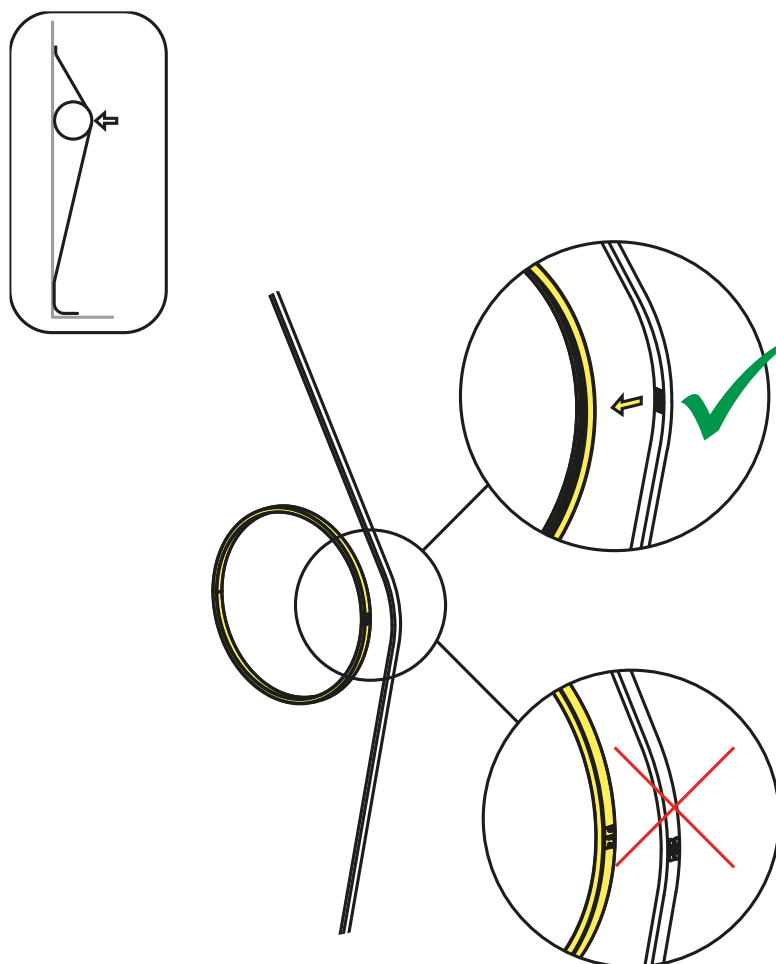


Fig.6

Connect the new body lamp to the ring respecting the correct installation direction.

WARNING! When installing and whenever acting on the appliance, ensure that the power supply has been switched off.  
For the installation of the spare-part, it is necessary to consult a qualified electrician.

## RF26650

### ELECTRICAL MOUNTING BODY ASSEMBLY

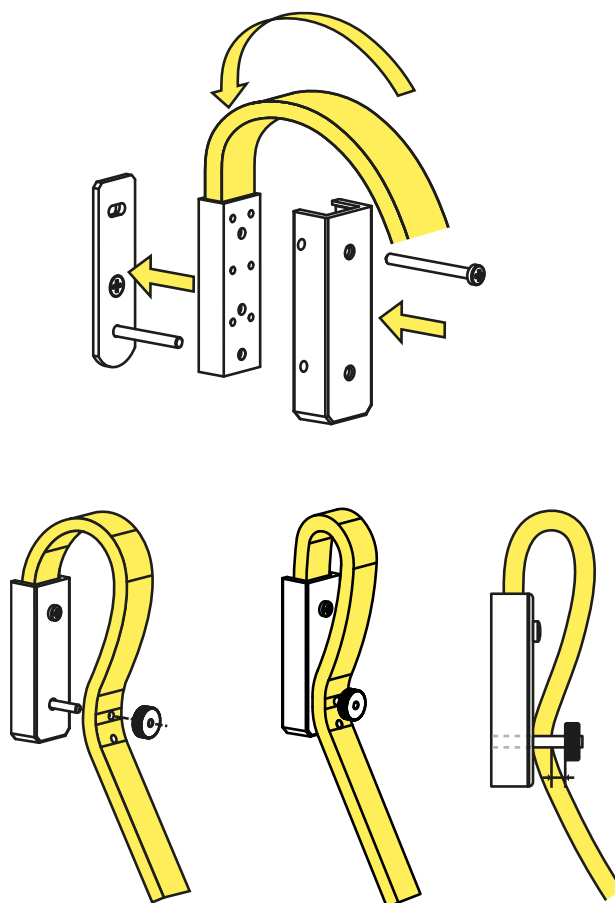


Fig.7

Insert the new body lamp. Fasten the screws, connect the ferrule and fix the cover of the higher joint.

WARNING! When installing and whenever acting on the appliance, ensure that the power supply has been switched off. For the installation of the spare-part, it is necessary to consult a qualified electrician.

## RF26650

### ELECTRICAL MOUNTING BODY ASSEMBLY

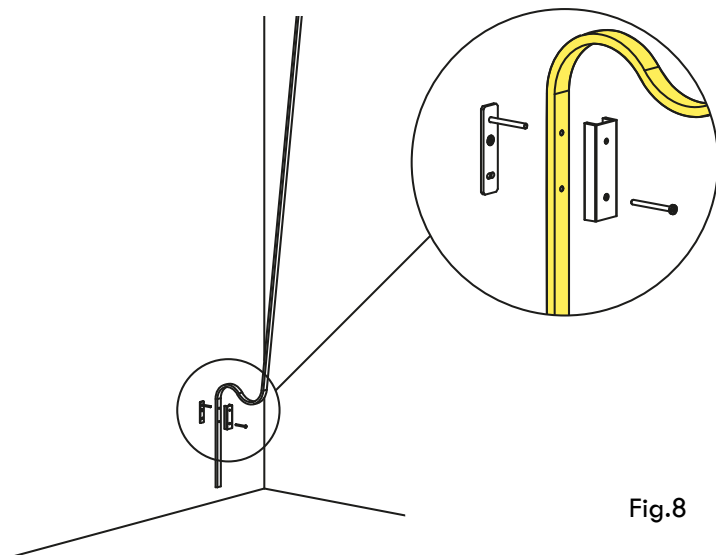


Fig.8

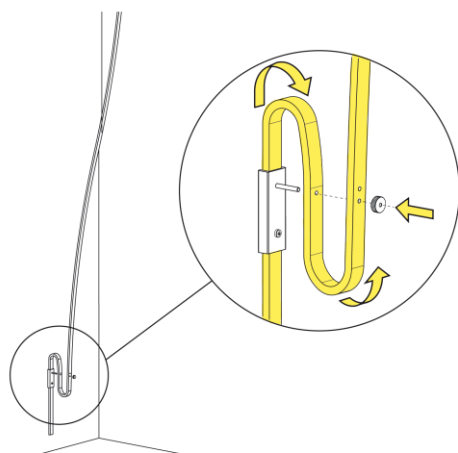


Fig.9

Position the new body lamp. Fasten the screws, connect the ferrule and fix the cover of the lower joint.

**WARNING!** When installing and whenever acting on the appliance, ensure that the power supply has been switched off. For the installation of the spare-part, it is necessary to consult a qualified electrician.

## RF26650

### ELECTRICAL MOUNTING BODY ASSEMBLY

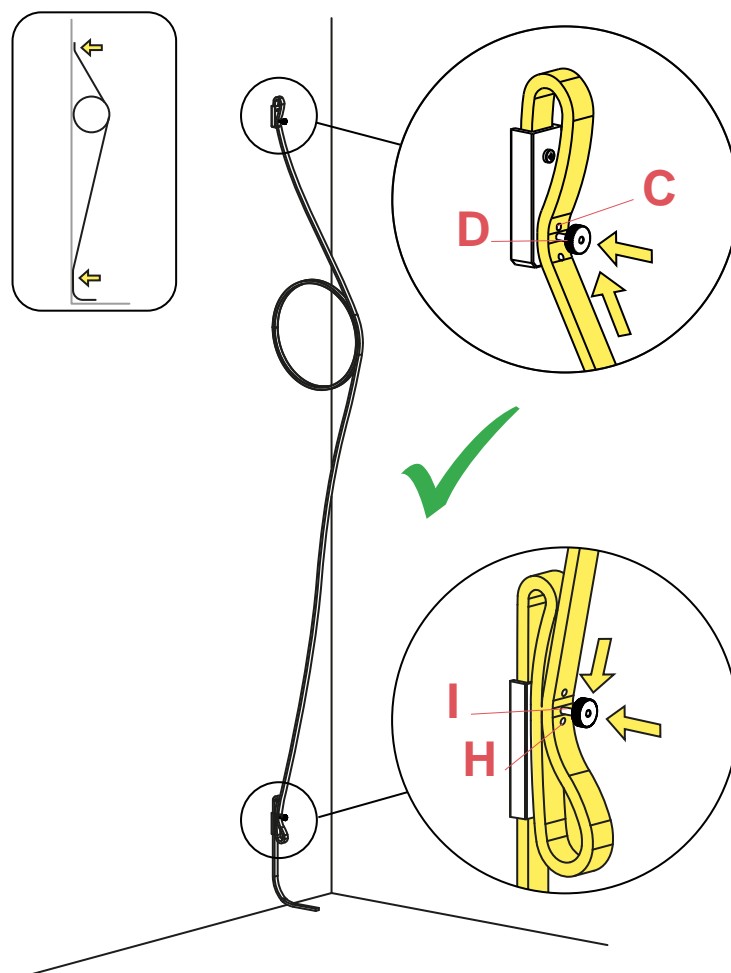


Fig.10

**ADJUSTING THE CABLE TENSION:** Pull the cable out of hole (C) then thread it through the pin (D) so as to increase its tension, then tighten the ferrule. If necessary, do the same at the bottom, moving the cable from hole (H) to hole (I); then tighten the ferrule.

Connect the plug of the new body lamp to the dimmer unit by rotating it 90° clockwise.(Fig.1 page 9)

**WARNING!** When installing and whenever acting on the appliance, ensure that the power supply has been switched off. For the installation of the spare-part, it is necessary to consult a qualified electrician.



WIRERING F9512030

EN

**RF26644**

ELECTRICAL MOUNTING ASSEMBLY WITH DIMMER



WARNING! When installing and whenever acting on the appliance, ensure that the power supply has been switched off.  
For the installation of the spare-part, it is necessary to consult a qualified electrician.

©2021 Flos - All rights reserved - [www.flos.com](http://www.flos.com)  
Flos reserves the right to introduce any changes to its own models, without prior notice.

## RF26644

### ELECTRICAL MOUNTING ASSEMBLY WITH DIMMER

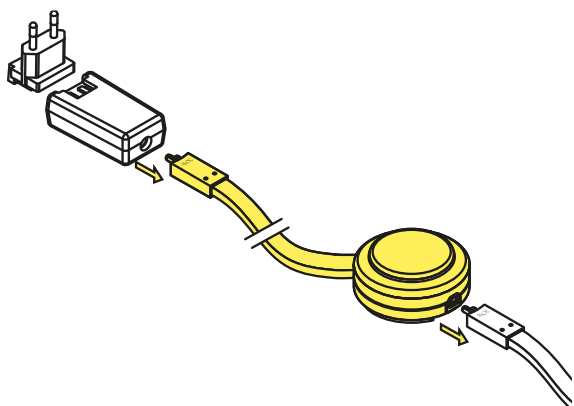


Fig.1

Disconnect the plug of the old electrical mounting with dimmer assembly from the driver and disconnect the dimmer from the electrical mounting body assembly by rotating it 90° clockwise.

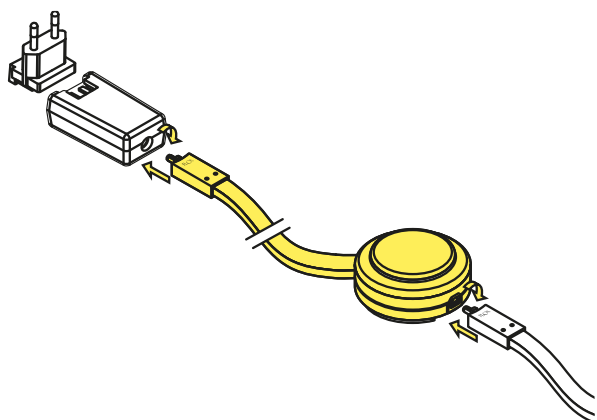


Fig.2

Connect the plug of the new electrical mounting with dimmer assembly from the driver and connect the dimmer to the electrical mounting body assembly by rotating it 90° clockwise.

**WARNING!** When installing and whenever acting on the appliance, ensure that the power supply has been switched off. For the installation of the spare-part, it is necessary to consult a qualified electrician.

**RF26644**

ELECTRICAL MOUNTING ASSEMBLY WITH DIMMER

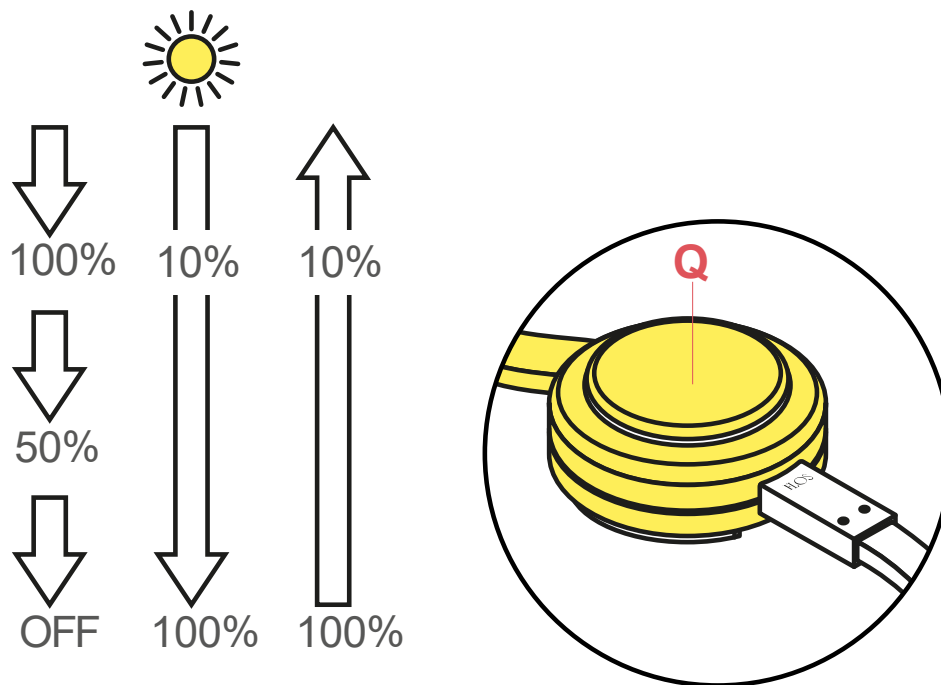


Fig.3

To switch the device on/off push the button (Q); light sequence: MAXIMUM / MINIMUM (50%) / OFF. When the appliance is switched on, prolonged contact of the button causes a progressive decrease of light intensity up to 10% and viceversa. Upon reaching the desired intensity, stop contact with the button. NOTE: Due to the dimmer memory, when the appliance is switched on again (from the wall switch or otherwise), it goes to the same level of light intensity that it was set to before being switched off. The dimmer function can only be activated through the sensor (Q). After a blackout with the appliance switched off, it will stay off when the power is restored.

WARNING! When installing and whenever acting on the appliance, ensure that the power supply has been switched off. For the installation of the spare-part, it is necessary to consult a qualified electrician.

WIRERING F9512030

EN

**RF3320100**

PLUG KIT + DRIVER SPARE PART



WARNING! When installing and whenever acting on the appliance, ensure that the power supply has been switched off.  
For the installation of the spare-part, it is necessary to consult a qualified electrician.

WIRERING F9512030

EN

**RF3320100**

PLUG KIT + DRIVER SPARE PART

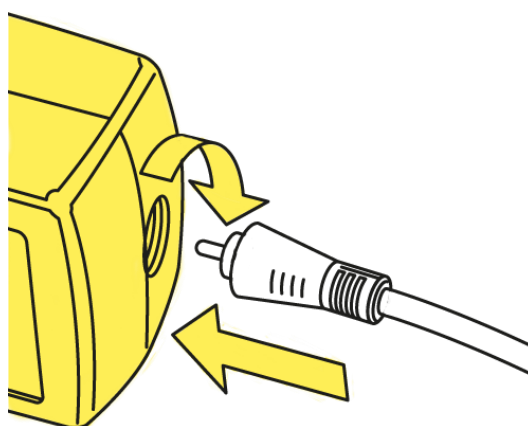


Fig.1

Insert the plug into the driver unit by using the guides snap it inside its apposite slot (use the correct type of plug for area in which the device must be installed), connect the plug to the feeder unit locking it in by rotating it 90° clockwise.

WARNING! When installing and whenever acting on the appliance, ensure that the power supply has been switched off.  
For the installation of the spare-part, it is necessary to consult a qualified electrician.

©2021 Flos - All rights reserved - [www.flos.com](http://www.flos.com)  
Flos reserves the right to introduce any changes to its own models, without prior notice.