

# FLOS

F1037057 Chrome

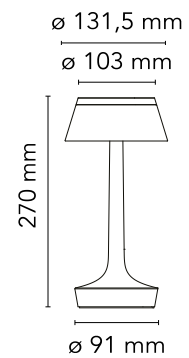
## Bon Jour Unplugged

Designed by Philippe Starck, 2015



3W - 181lm - 2700K - CRI> 90

Cordless table lamp providing direct light. Painted or electroplated base and top cover in ABS. Injection moulded PMMA clear transparent diffuser. Edge Lighting technology light source. 6/24 hours battery life, rechargeable with Micro-USB. Optical switch sensor on the base that provide 4-step dimming function. USB-C charger cable included in the package useful length 120 cm. Plug-in USB battery charger with interchangeable plugs.



Are you a professional and your project needs consulting and support?

[BOOK AN APPOINTMENT](#)

### Main specifications

EAN	8059607014530
Mounting	Table
Environments	Indoor dry location
Light Source Type	LED
LED type	LED Module
Power (W)	3
System flux (lm)	181

### Physical

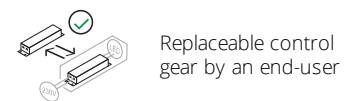
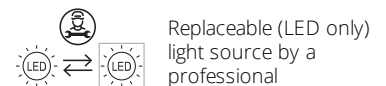
Colour	Chrome
Net weight (kg)	0.55
Package height (mm)	170
Package width (mm)	230
Package length (mm)	375
Package volume (m3)	0.01
IP internal	20

### Download

- [Mounting instructions](#)  PDF
- [Spare Parts](#)  PDF

### Ecodesign and Energy Labelling

This product contains a light source of energy efficiency class F



## Schematic light drawing



### Photometric

Light distribution	Roto symmetric
CCT (K)	2700
CRI>	90
Extreme cut off	No

### Electrical

Insulation class	III
Frequency (Hz)	50/60
Main voltage (Vac)	100-240/5
LED voltage Vf (Vdc)	null
Power Supply	Remote excluded
Dimmable	Yes
Power Supply Type	Electronic 5V
Dimming interface	Dimmer Integrated
Batteries inside	Yes
Battery type	LI-PO
Charging max power	14
Charging min time	3H - 0% TO 100%
Charging socket/connector	USB-C

## Accessories & Power Supply



OPTIONAL

F1036000

Bon Jour Unplugged Crown



OPTIONAL

F1036007

Bon Jour Unplugged Crown



OPTIONAL

F1036030

Bon Jour Unplugged Crown



OPTIONAL

F1036070

Bon Jour Unplugged Crown

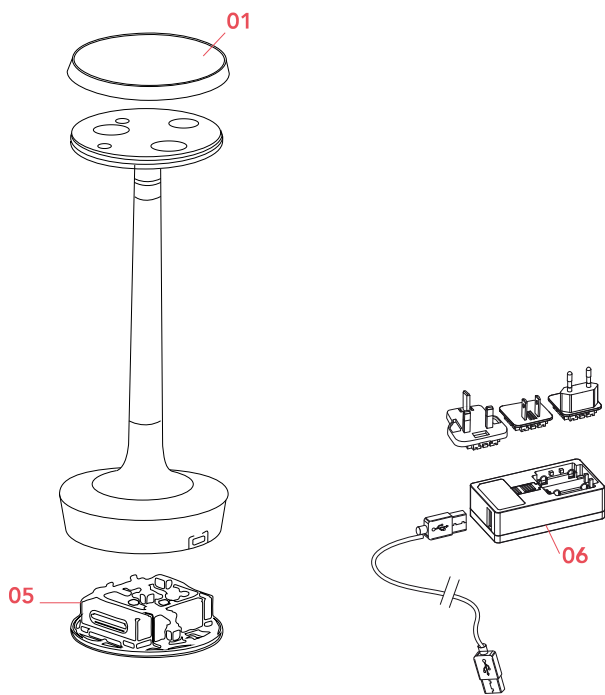


OPTIONAL

F1036088

Bon Jour Unplugged Crown

## Spare Parts



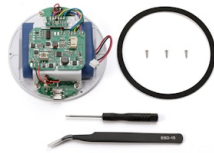
- |     |   |           |
|-----|---|-----------|
| 01. | Top cover chrome assembly                   | RF25460   |
| 05. | Base assembly with new battery kit          | RF1037200 |
| 06. | Power charger with electrical cable & plugs | RF1035109 |

**DOWNLOAD**



RF25460

Top cover chrome assembly



RF1037200

Base assembly with new battery  
kit



RF1035109

Power charger with electrical  
cable & plugs