

REWARDING BRIGHTNESS

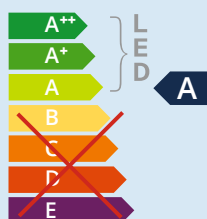


Downlights

**Fabio 75 HV-IC**  
Fixed

**Specifications**

Colour white	Matt white RAL 9016 (XX=MW)
Colour grey	Matt grey RAL 9006 (XX=GR)
Colour black	Matt black RAL 9005 (XX=BL)
Beam angle (FWHM)	60°
Fixture material	Housing: Die cast aluminium / Reflector glass: Polycarbonate
Environment	Indoor
IP rate	IP20 / IP44
IK rate	IK03
Operating temperature (Ta)	-20°C / +45°C
Safety marks	EN60598 / EN62031 / EN62471
EMC compliance	EN55015
Colour consistency (SDCM)	MacAdam step 3
Warranty	7 Years



This luminaire contains built-in LED lamps

The lamps cannot be changed in the luminaire.

874/2012



Only when the product is installed in a closed ceiling it may be exposed to water splashes, and only on its front side.

REWARDING BRIGHTNESS

## Item specifications (part A)

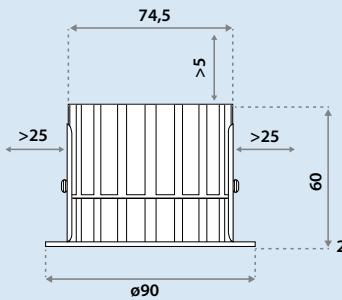
Description	Item code	Type	Input	W	Lm	Lm/W	CRI (typ.)	UGR	Pf	Ripple	Inrush current	B-16A Fuse
Fabio 75 HV-IC 600 Lm 2700K Triac dim	837603XX4855	Incl. Conn.Box	220-240V	8,2	600	73	83	23.3	0.98	x	x	x
Fabio 75 HV-IC 600 Lm 3000K Triac dim	837603XX4955	Incl. Conn.Box	220-240V	8,0	600	75	83	23.3	0.98	x	x	x
Fabio 75 HV-IC 600 Lm 4000K Triac dim	837603XX5055	Incl. Conn.Box	220-240V	7,5	600	80	83	23.3	0.98	x	x	x
Fabio 75 HV-IC 900 Lm 2700K Triac dim	838203XX4855	Incl. Conn.Box	220-240V	12,9	900	70	83	23.5	0.99	x	x	x
Fabio 75 HV-IC 900 Lm 3000K Triac dim	838203XX4955	Incl. Conn.Box	220-240V	12,6	900	71	83	23.5	0.99	x	x	x
Fabio 75 HV-IC 900 Lm 4000K Triac dim	838203XX5055	Incl. Conn.Box	220-240V	11,8	900	76	83	23.5	0.99	x	x	x

## Item specifications (part B)

Description	Safety class	Energy class	Weight	Dimensions single carton	Quantity per carton	Expected lifespan (25°C)		
						L70B50	L80B50	L90B50
Fabio 75 HV-IC 600 Lm 2700K Triac dim	II	A	361 gr	105x105x61 mm	42 pcs	180.000 hrs	113.000 hrs	54.000 hrs
Fabio 75 HV-IC 600 Lm 3000K Triac dim	II	A	361 gr	105x105x61 mm	42 pcs	180.000 hrs	113.000 hrs	54.000 hrs
Fabio 75 HV-IC 600 Lm 4000K Triac dim	II	A	361 gr	105x105x61 mm	42 pcs	180.000 hrs	113.000 hrs	54.000 hrs
Fabio 75 HV-IC 900 Lm 2700K Triac dim	II	A	362 gr	105x105x61 mm	42 pcs	180.000 hrs	113.000 hrs	54.000 hrs
Fabio 75 HV-IC 900 Lm 3000K Triac dim	II	A	362 gr	105x105x61 mm	42 pcs	180.000 hrs	113.000 hrs	54.000 hrs
Fabio 75 HV-IC 900 Lm 4000K Triac dim	II	A	362 gr	105x105x61 mm	42 pcs	180.000 hrs	113.000 hrs	54.000 hrs

All values are measured at 230V (+/- 7%)

## Dimensions



## Dimmer recommendation list

Manufacturer	Product ID	Type	Min-max load	HV-75/90 400 Lm	HV-75/90 400 Lm + dimming cable	All HV-IC luminaires	HV-WD luminaires*
ABB Busch Jaeger	6513	RC	40-420 VA	✗ Blinks	✓ 40-100%	✓ 40-100%	✗
Berker	2830 10	R	60-400 W	✗	✓ 10-100%	✓ 20-100%	✗
Berker	2867 10	RC	20-360 W	✗	✓ 10-100%	✓ 40-100%	✗
Berker	2873	RL	20-500 W	✗ 40-90%	✓ 0-100%	✓ 20-100%	✓ 20-100%
Busch Jaeger	2247U	RL	20-500 W	✓ 20-100%	✓ 0-100%	✓ 5-100%	✓ 5-100%
Busch Jaeger	6523U	RL	10-250 W	✓ 10-100%	✓ 0-100%	✓ 5-100%	✓ 5-100%
Busch Jaeger	6523UR	RL	10-400 W	Not tested	Not tested	✓ 5-100%	✓ 5-100%
Busch Jaeger	6526U	PUSH	10-250 W	Not tested	Not tested	✗	✗
Busch Jaeger	6586-500	DIN-RAIL	10-250 W	Not tested	Not tested	✗	✗
Busch Jaeger	6197/xx-101	KNX	Var.	Not tested	Not tested	✓ 10-100%	✓ 10-100%
Busch Jaeger	UD/2S.300.2	KNX	Var.	Not tested	Not tested	✓ 0-100%	✓ 0-100%
Busch Jaeger	6252/0.4-101	F&H	Var.	Not tested	Not tested	✓ 10-100%	✓ 10-100%
DIMMAX	420SL	R	420 W	Not tested	Not tested	✓ 3-100%	✓ 3-100%
Elko	315GLE	RC	20-315 VA	✓ 40-80%	✗	✓ 40-80%	✓ 40-80%
Elko	400GLI	RL	40-300VA	✓ 40-80%	✓ 20-100%	✓ 20-100%	✓ 20-100%
Eltako	EUD61NPN-UC	RLC	0-400 W	✓ 0-100%	✓ 0-100%	✓ 20-100%	✓ 20-100%
Feller	40600.RL	RL	40-600 W	✗ 20-80%	✓ 0-100%	✓ 20-100%	✓ 20-100%
Feller	40300.RC	RC	20-300 W	✓ 10-100%	✗	✓ 40-100%	✓ 40-100%
Gira	1184-00	R	60-400 W	✗	✓ 10-100%	✓ 20-100%	✗
Gira	1182-00	RC	20-360 W	✗	✓ 10-100%	✓ 40-100%	✗
Gira	2262-00	RL	3-100 W	✗ 40-90%	✓ 0-100%	✓ 20-100%	✓ 20-100%
Ipas	HD300	RC	10-300 W	✓ 40-80%	✓ 20-100%	✓ 40-100%	✗
Ipas	KED-400	RL	35-400 VA	✗ Blinks at 30%	✓ 30-100%	✓ 30-100%	✗
Jung	244 EX	R	60-400 W	✗	✓ 10-100%	✓ 20-100%	✗
Jung	243 EX	RC	20-360 W	✗	✓ 10-100%	✓ 40-100%	✗
Jung	225 NV DE	RL	3-100 W	✗ 40-90%	✓ 0-100%	✓ 20-100%	✓ 20-100%
Legrand	078406	RLC	8-300 W	✓ 10-100%	✓ 10-100%	✓ 10-100%	✓ 10-100%
Legrand	067085	RLC	8-300 W	✓ 10-100%	✓ 10-100%	✓ 10-100%	✓ 10-100%
Niko	310-028X	RLC	2-100 W	✓ 5-100%	Not tested	✓ 10-100%	✓ 10-100%
Niko	310-029X	RLC	3-200 W	✗	Not tested	✓ 10-100%	✓ 10-100%
Niko	310-039X	RLC	3-200 W	✗	Not tested	✓ 10-100%	✓ 10-100%
Niko	310-0190X	RLC	5-325 W	✗ 4-100%	✓ 10-100%	✓ 20-100%	✓ 20-100%
Niko	330-00700	RLC	5-350W	✗ 4-100%	✓ 10-100%	✓ 30-100%	✓ 30-100%
Niko	330-00701	RLC	5-350W	✗ 4-100%	✓ 10-100%	✓ 10-100%	✓ 10-100%
Niko	410-004x0	RLC	3-200 W	✗	✓ 10-100%	✓ 10-100%	✓ 10-100%
Niko	550-00340	RLC	5-400 VA	✗ 4-100%	✓ 10-100%	✓ 10-100%	✓ 10-100%
Norwegian	KED400	R	35-400 W	✓ 10-100%	✓ 10-100%	✓ 10-100%	✗
Norwegian	KED600	R	35-600 W	✓ 10-100%	✓ 10-100%	✓ 10-100%	✗
Peha	433 HAB	RC	20-315 W	✗ 40-90%	✓ 10-100%	✗	✗
Peha	434 0A	R	60-400 W	✗ 60-80%	✓ 10-100%	✗	✗
Schneider (Merten)	MTN5131	R	40-400 W	✗ 20-80%	✓ 0-100%	✓ 20-100%	✓ 20-100%
Schneider (Merten)	MTN5133	RL	40-600 W	✗ 20-80%	✓ 0-100%	✓ 20-100%	✓ 20-100%
Schneider (Merten)	MTN5136	RC	20-315 W	✗	✗	✓ 40-100%	✓ 40-100%
Schneider (Merten)	MTN5139	RLC	20-600 W	✗ 20-80%	✗	✓ 30-100%	✓ 30-100%
Schneider (Merten)	MTN577899	RC	20-315 W	✗	✓ 20-100%	✓ 40-100%	✗
Schneider (Merten)	MEG5170	RLC	10-200 W	✗	✗ 40-80%	✗ 40-80%	✗

✓ = OK ✗ = Not recommended Please check our website for the latest information.

2) The dimming performance of the HV-WD technology is identically to the HV-IC only visually with some dimmer types it gives an asymmetric appearance and therefore we do not recommend this.

1) Not more than 90% of the max. wattage.