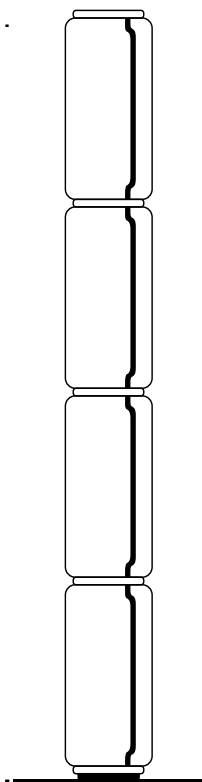


## NOCTAMBULE F

Designed by Konstantin Grcic, 2019

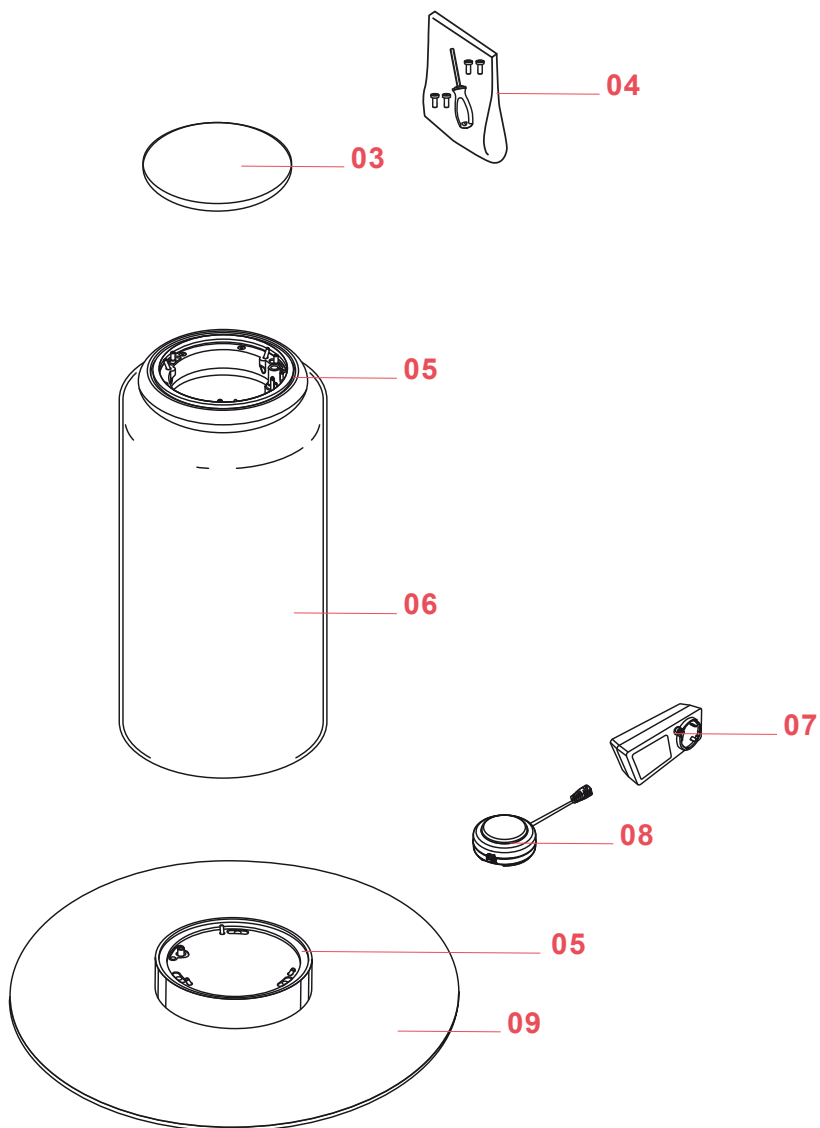
F0292000



## NOCTAMBULE F

F0292000

EN



- 03. F0293030A – Terminal cap
- 04. RF0254100 – Fixing screws kit
- 05. RF27498 – Ring led diffuser
- 06. F0257000A – High cylinder
- 07. RF3320400 – Black plug kit & driver
- 08. RF27549 – Switch dimmer 48V PMW 500Hz
- 09. F0262030A – Big base

NOCTAMBULE F F0292000

EN

## F0293030A

TERMINAL CAP



WARNING! When installing and whenever acting on the appliance, ensure that the power supply has been switched off.  
For the installation of the spare-part, it is necessary to consult a qualified electrician.

©2021 Flos - All rights reserved - [www.flos.com](http://www.flos.com)  
Flos reserves the right to introduce any changes to its own models, without prior notice.

NOCTAMBULE F F0292000

EN

## RF0254100

FIXING SCREWS KIT



WARNING! When installing and whenever acting on the appliance, ensure that the power supply has been switched off.  
For the installation of the spare-part, it is necessary to consult a qualified electrician.

©2021 Flos - All rights reserved - [www.flos.com](http://www.flos.com)  
Flos reserves the right to introduce any changes to its own models, without prior notice.

NOCTAMBULE F F0292000

EN

## RF27498

RING LED DIFFUSER



WARNING! When installing and whenever acting on the appliance, ensure that the power supply has been switched off.  
For the installation of the spare-part, it is necessary to consult a qualified electrician.

©2021 Flos - All rights reserved - [www.flos.com](http://www.flos.com)  
Flos reserves the right to introduce any changes to its own models, without prior notice.

NOCTAMBULE F F0292000

EN

## **F0257000A** HIGH CYLINDER



WARNING! When installing and whenever acting on the appliance, ensure that the power supply has been switched off.  
For the installation of the spare-part, it is necessary to consult a qualified electrician.

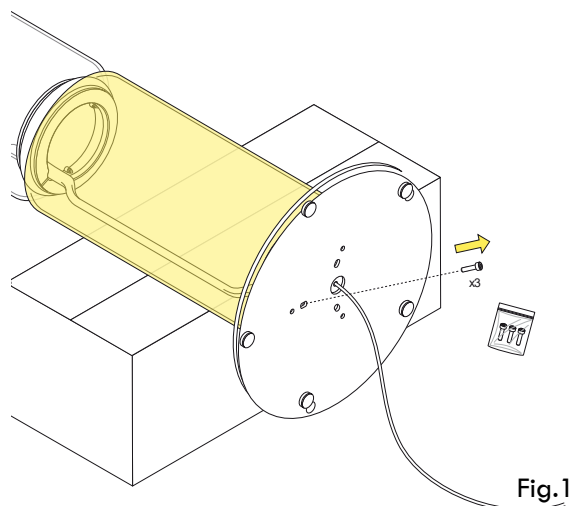
©2021 Flos - All rights reserved - [www.flos.com](http://www.flos.com)  
Flos reserves the right to introduce any changes to its own models, without prior notice.

NOCTAMBULE F F0292000

EN

## F0257000A

HIGH CYLINDER



Disconnect the dimmer from the electrical cable.

Carefully place the lamp in a horizontal position by resting it on the cylinder packages.

Unscrew the screws from the base.

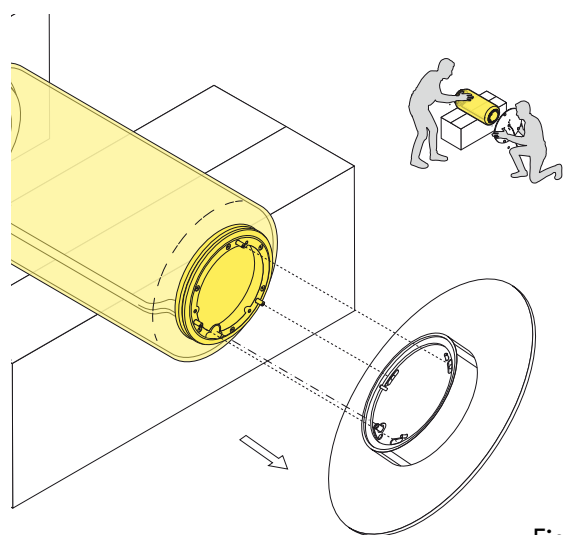


Fig.2

Remove the base from the cylinder.

**WARNING!** When installing and whenever acting on the appliance, ensure that the power supply has been switched off.  
For the installation of the spare-part, it is necessary to consult a qualified electrician.

NOCTAMBULE F F0292000

EN

## F0257000A

HIGH CYLINDER

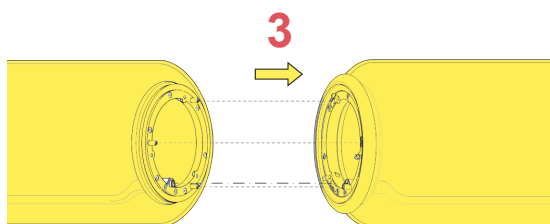


Fig.3

**Figure 3 and 4 (only for 2/3/4 cylinders version)**

Disconnect the cylinder from the other one (3).

Unscrew the screws from the cylinder (1-2).

Replace the old cylinder with the new one.

**Now assemble all the components, please proceed in reverse order.**

Connect the cylinder to the other one (3).

Tighten the screws to the cylinder (1-2).

Connect the base to the cylinder .

Tighten the screws of the base.

Connect the dimmer to the electrical cable.

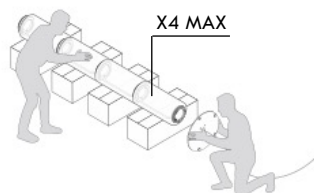
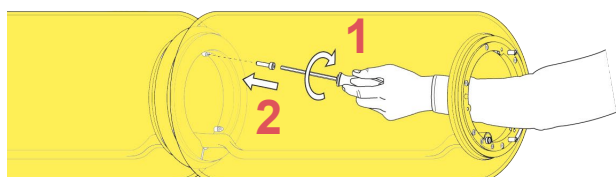


Fig.4

**WARNING!** When installing and whenever acting on the appliance, ensure that the power supply has been switched off.  
For the installation of the spare-part, it is necessary to consult a qualified electrician.

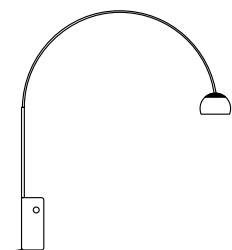


NOCTAMBULE F F0292000

EN

## RF3320400

BLACK PLUG & KIT DRIVER



Arco Led  
p.03



Captain  
Flint  
p.05



Noctambule  
F  
p.15



Sawaru  
p.03



Superloon  
p.13



Taccia  
Led  
p.13

**WARNING!** When installing and whenever acting on the appliance, ensure that the power supply has been switched off.  
For the installation of the spare-part, it is necessary to consult a qualified electrician.

NOCTAMBULE F F0292000

EN

**RF3320400**

BLACK PLUG &amp; KIT DRIVER

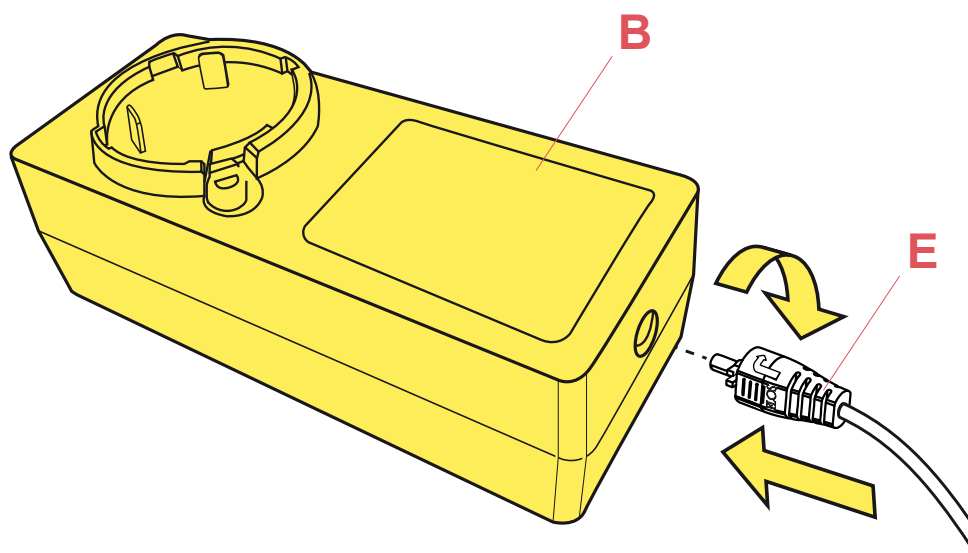


Fig.1

Insert the plug (E) into the power unit (B). By using the guides, snap the plug inside its apposite slot (use the correct type of plug for the country in which the device must be installed).

WARNING! When installing and whenever acting on the appliance, ensure that the power supply has been switched off.  
For the installation of the spare-part, it is necessary to consult a qualified electrician.

©2021 Flos - All rights reserved - [www.flos.com](http://www.flos.com)  
Flos reserves the right to introduce any changes to its own models, without prior notice.

NOCTAMBULE F F0292000

EN

## RF27549

SWITCH DIMMER 48V PMW 500Hz



WARNING! When installing and whenever acting on the appliance, ensure that the power supply has been switched off.  
For the installation of the spare-part, it is necessary to consult a qualified electrician.

©2021 Flos - All rights reserved - [www.flos.com](http://www.flos.com)  
Flos reserves the right to introduce any changes to its own models, without prior notice.

NOCTAMBULE F F0292000

EN

## RF27549

SWITCH DIMMER 48V PMW 500Hz

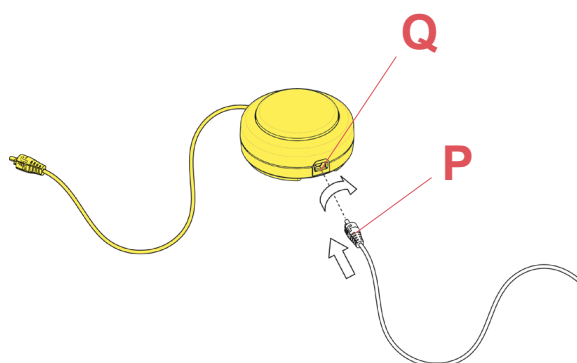


Fig.1

Connect the plug (P) to the push button switch (Q) locking it by turning it 90° clockwise.

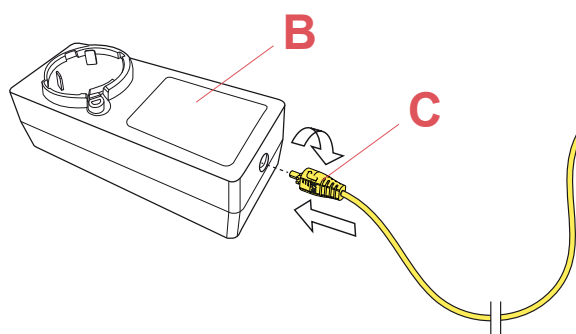


Fig.2

Connect the plug (C) to the power unit (B) locking it in by rotating it 90° clockwise.

**WARNING!** When installing and whenever acting on the appliance, ensure that the power supply has been switched off.  
For the installation of the spare-part, it is necessary to consult a qualified electrician.

NOCTAMBULE F F0292000

EN

## F0262030A

BIG BASE

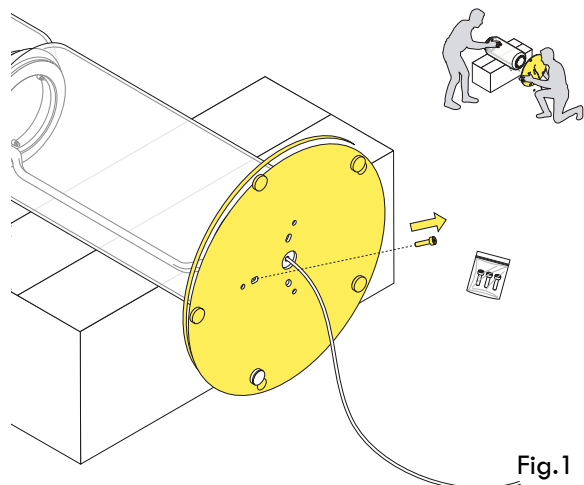


WARNING! When installing and whenever acting on the appliance, ensure that the power supply has been switched off.  
For the installation of the spare-part, it is necessary to consult a qualified electrician.

©2021 Flos - All rights reserved - [www.flos.com](http://www.flos.com)  
Flos reserves the right to introduce any changes to its own models, without prior notice.

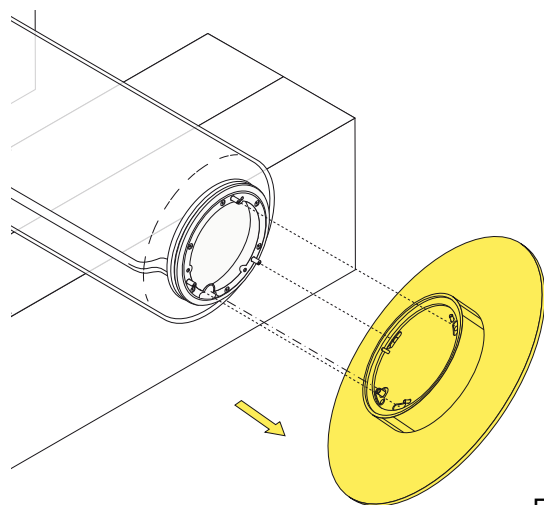
## F0262030A

BIG BASE



Disconnect the dimmer and the driver from the electrical cable.

Carefully place the lamp in a horizontal position by resting it on the cylinder packages.



Remove the base from the cylinder.

Now reconnect the New base to the cylinder.

Tighten the screws of the base.

Fig.2

**WARNING!** When installing and whenever acting on the appliance, ensure that the power supply has been switched off.  
For the installation of the spare-part, it is necessary to consult a qualified electrician.

NOCTAMBULE F F0292000

EN

## F0262030A

BIG BASE

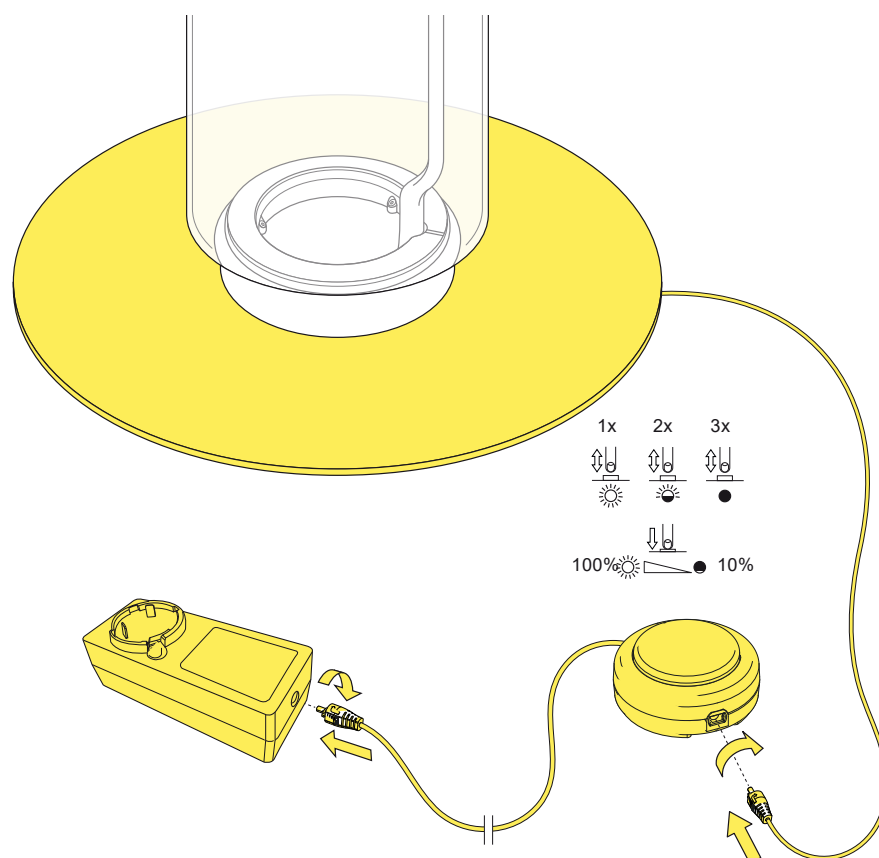


Fig.3

Place the lamp in vertical position.

Connect the dimmer and the driver to the electrical cable.

**WARNING!** When installing and whenever acting on the appliance, ensure that the power supply has been switched off. For the installation of the spare-part, it is necessary to consult a qualified electrician.