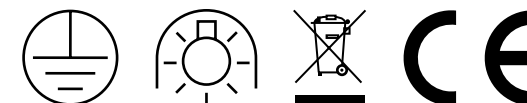
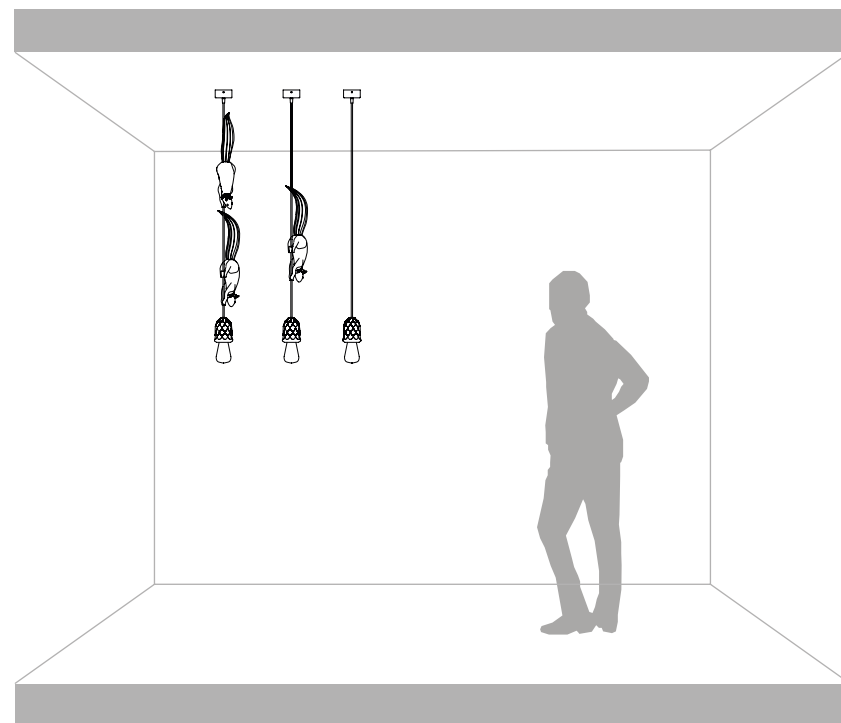
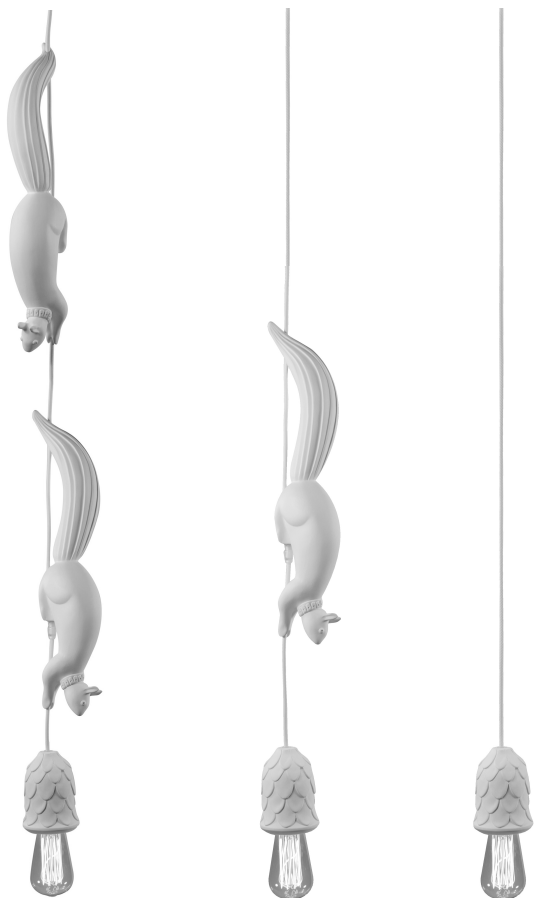


SHERWOOD E ROBIN

SE151 AB INT
SE151 BB INT
SE151 CB INT

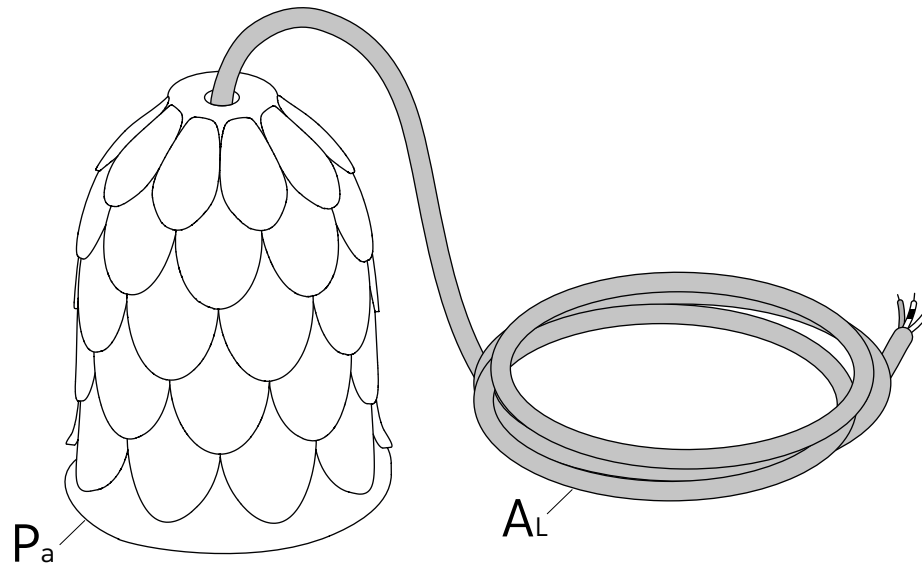
220-240V
1 x max 53W - E27



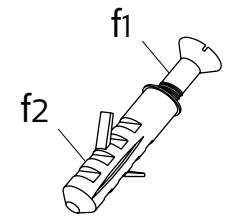
Karman srl

Via A. Grandi, San Martino del piano, 61034 Fossombrone (PU), Italy - p.iva 02175640412 tel +39 0721 71 5042 r.a fax +39 0721 716640 - www.karmanitalia.it

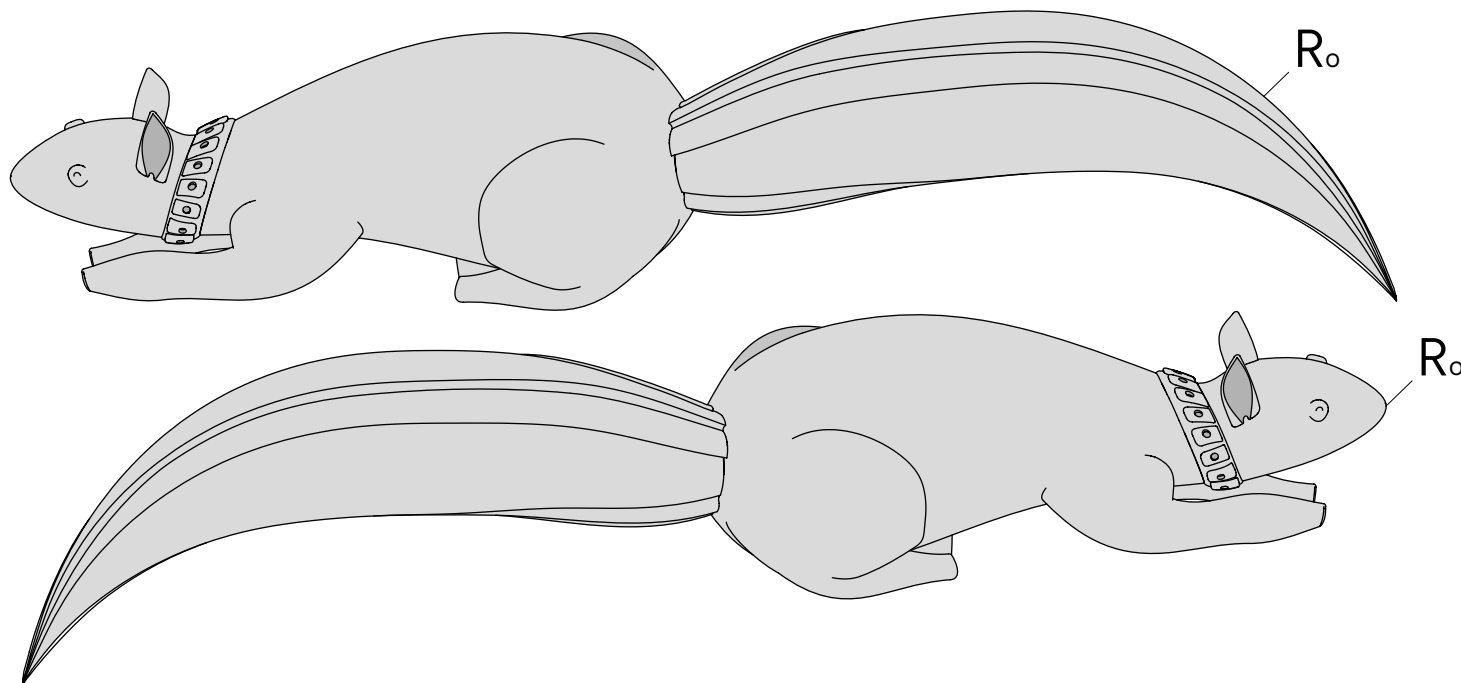
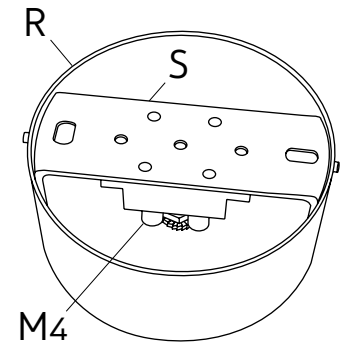
C - 01



2x **f**

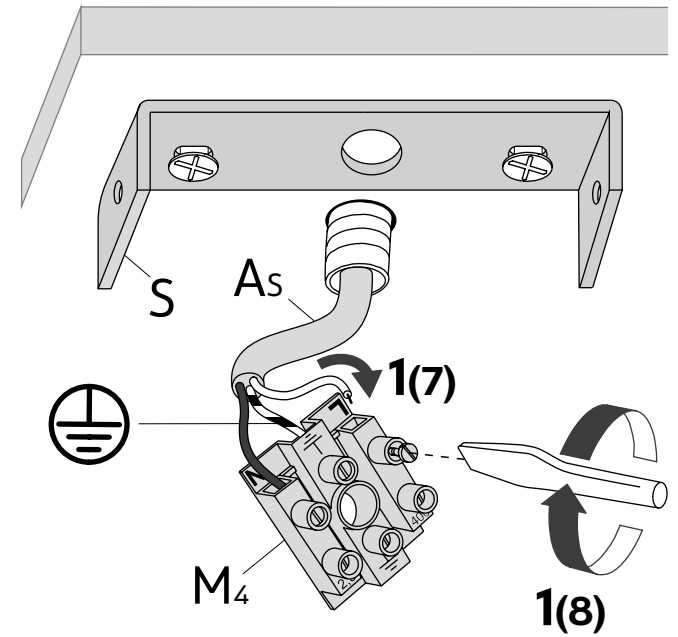
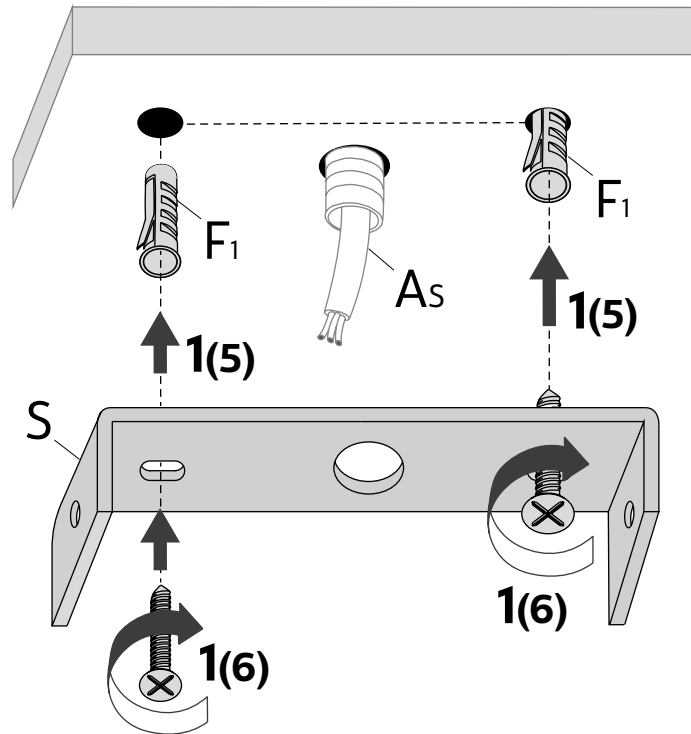
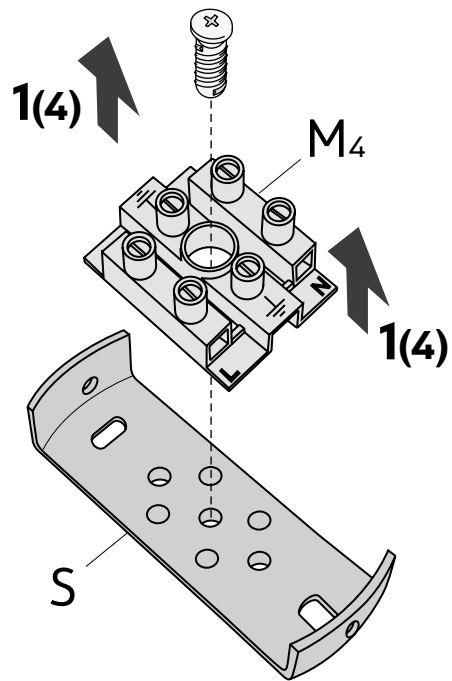
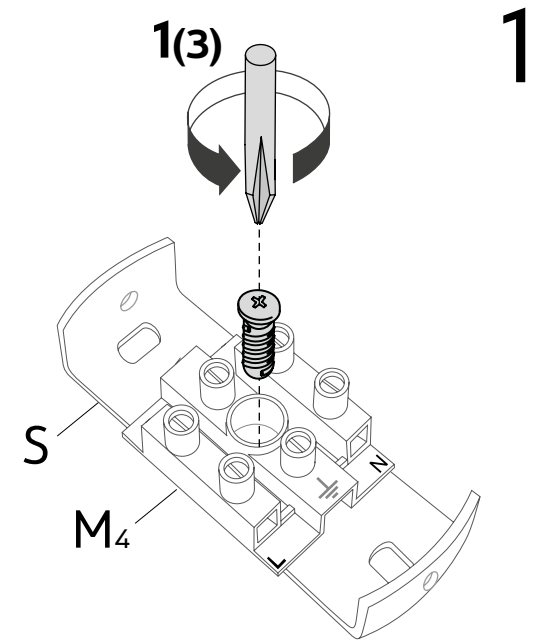
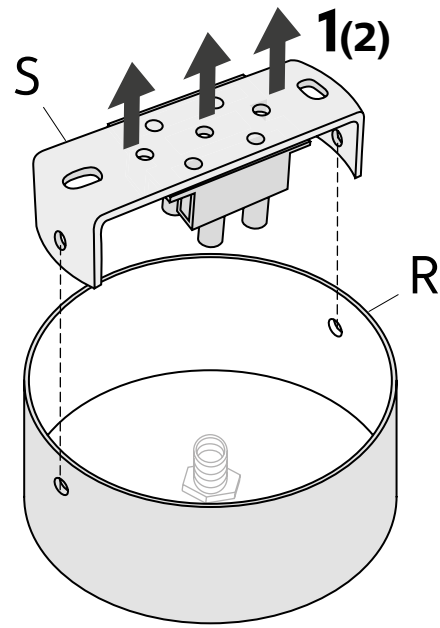
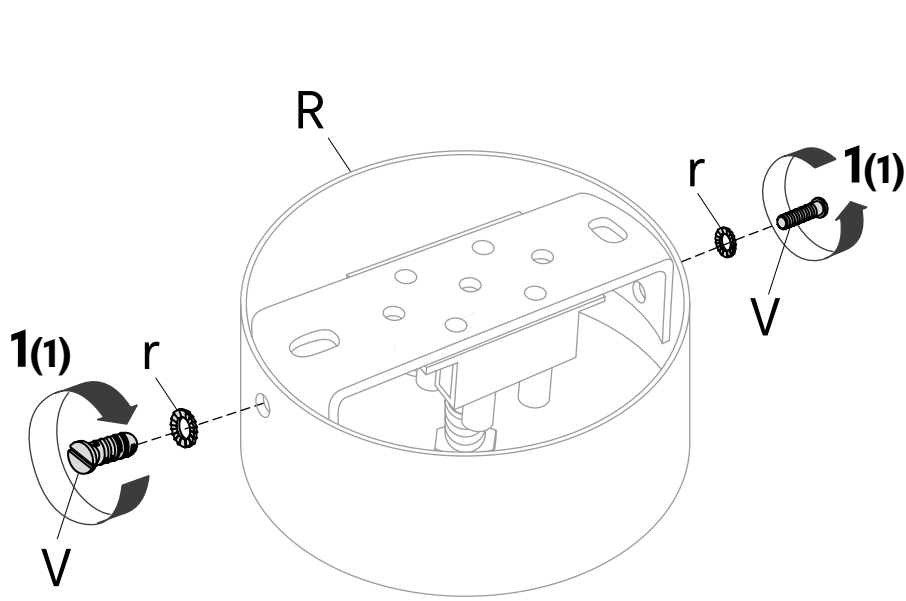


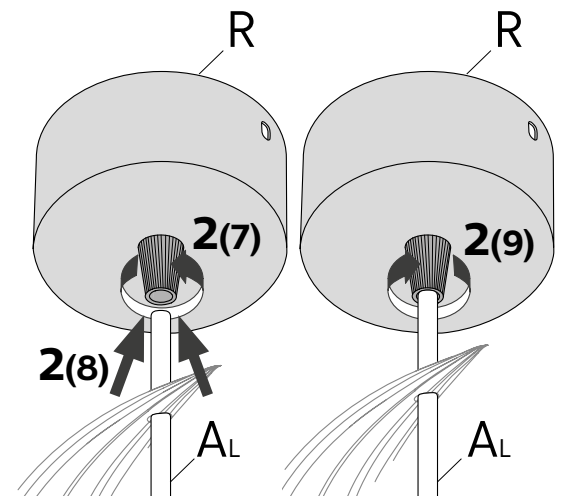
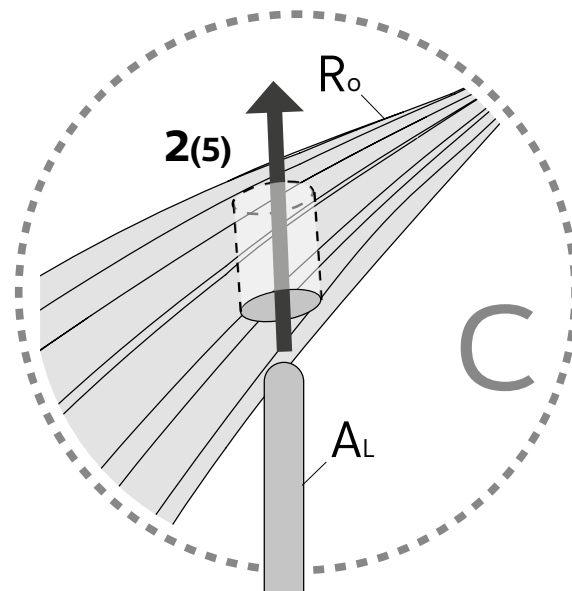
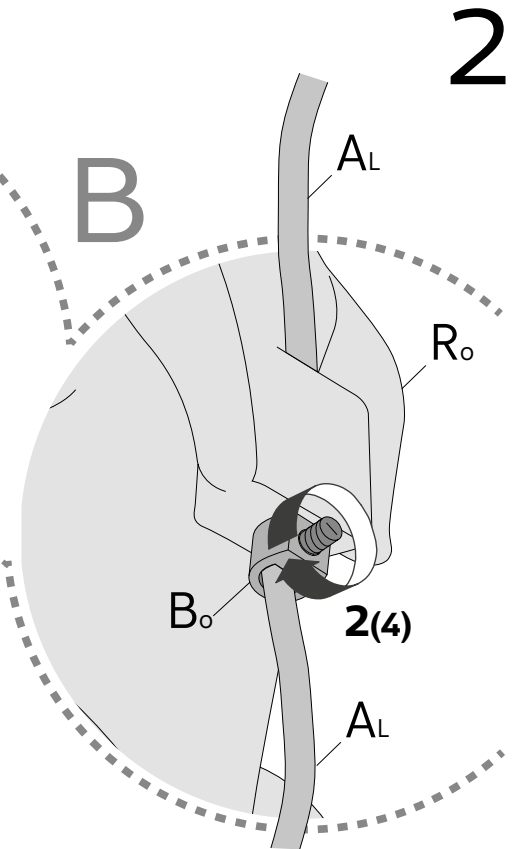
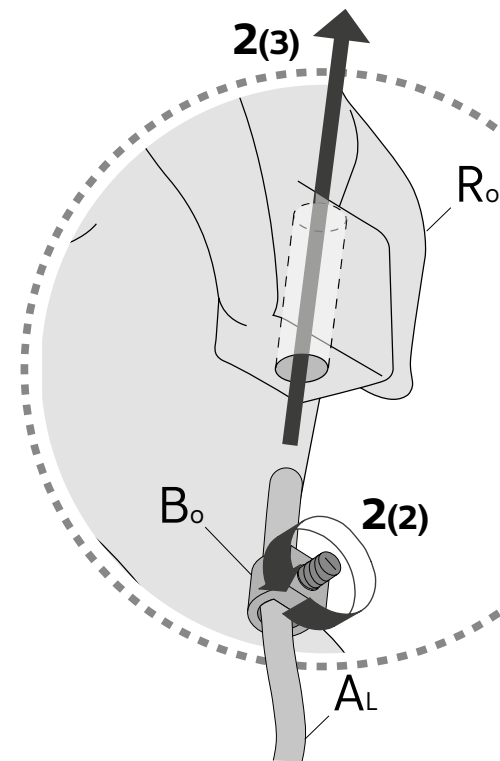
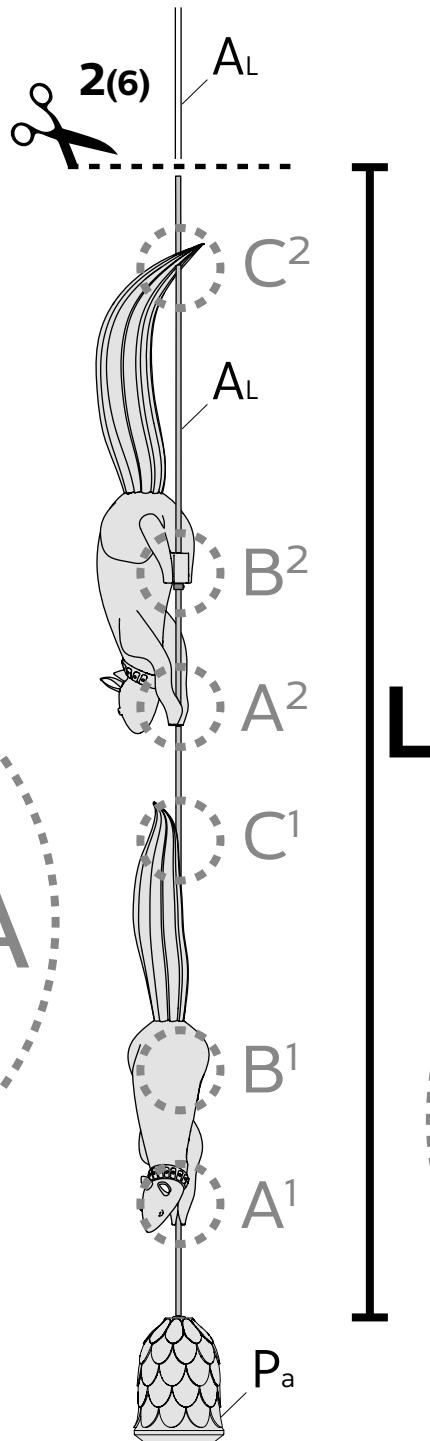
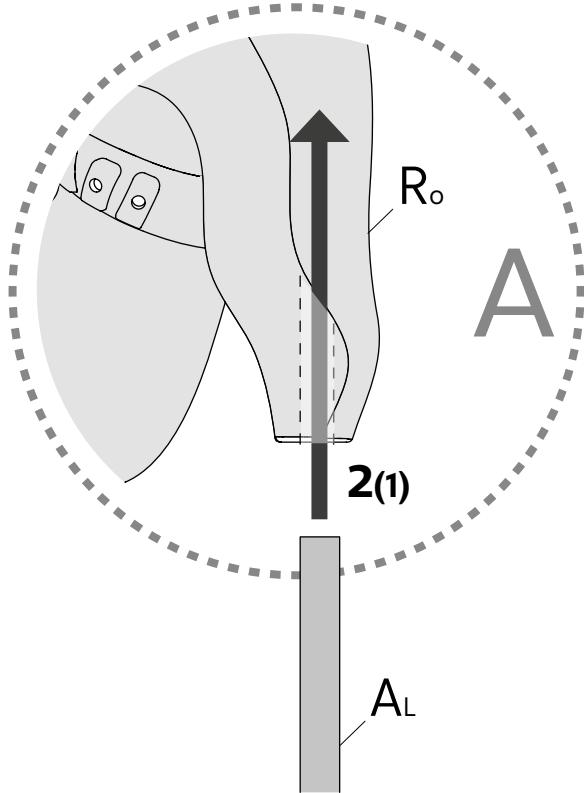
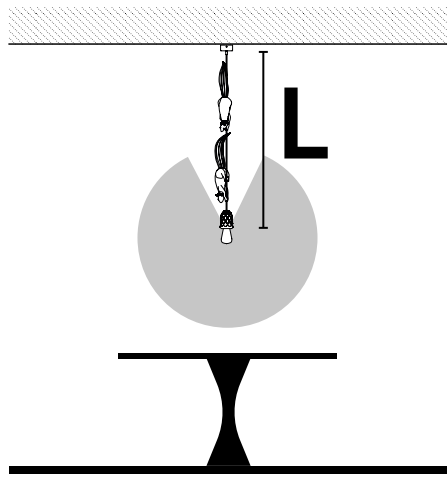
1x **R**



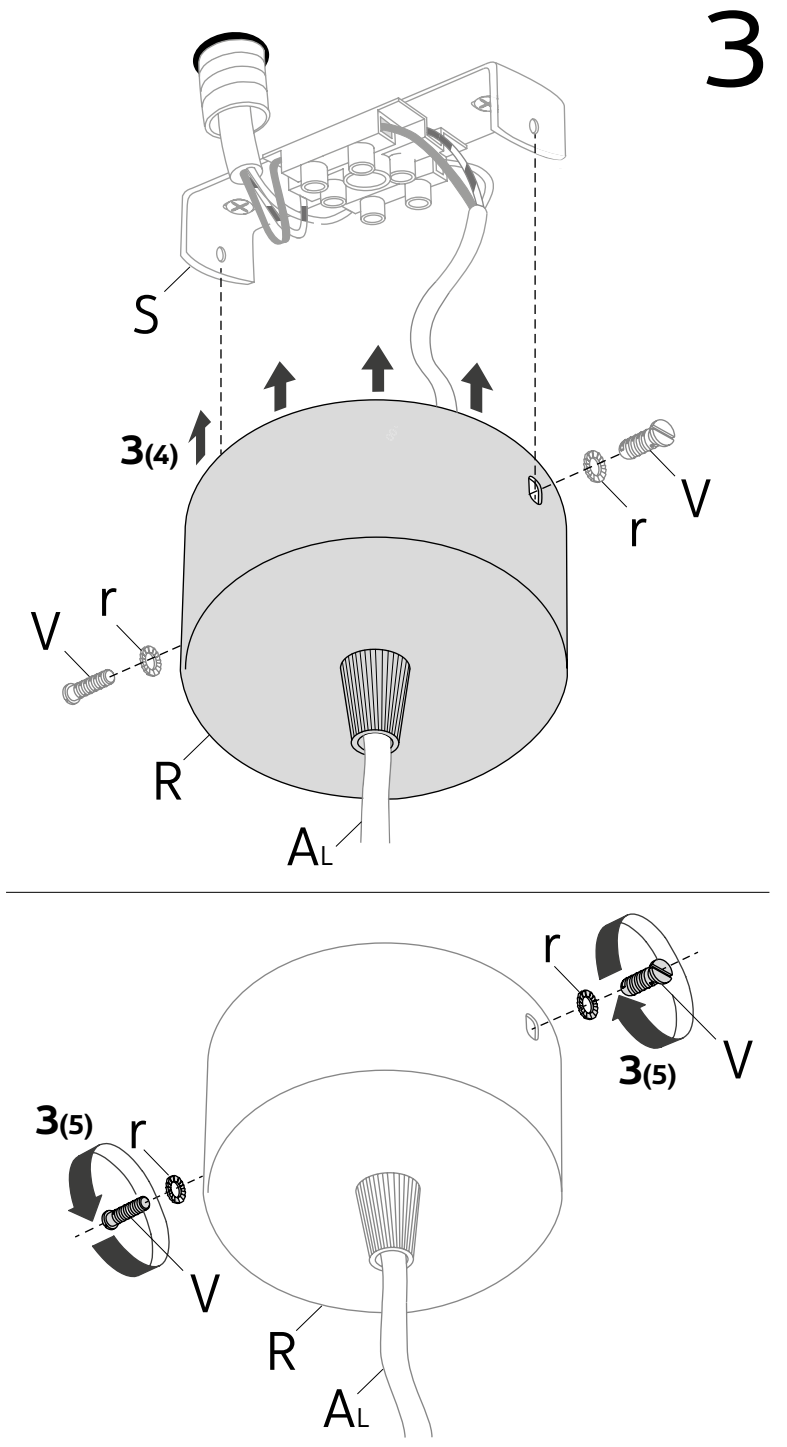
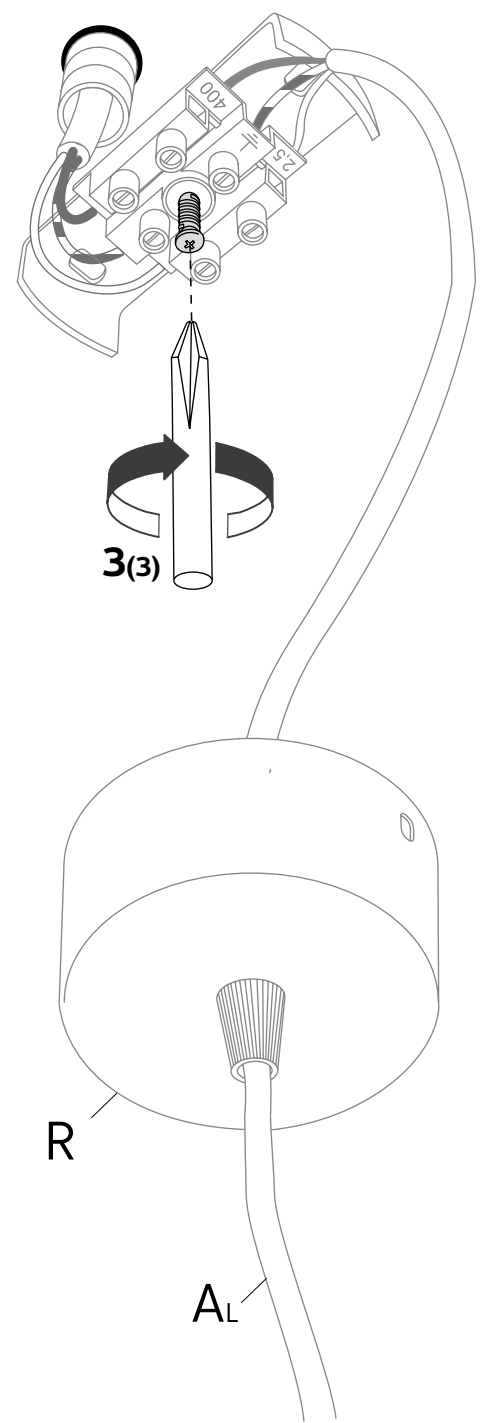
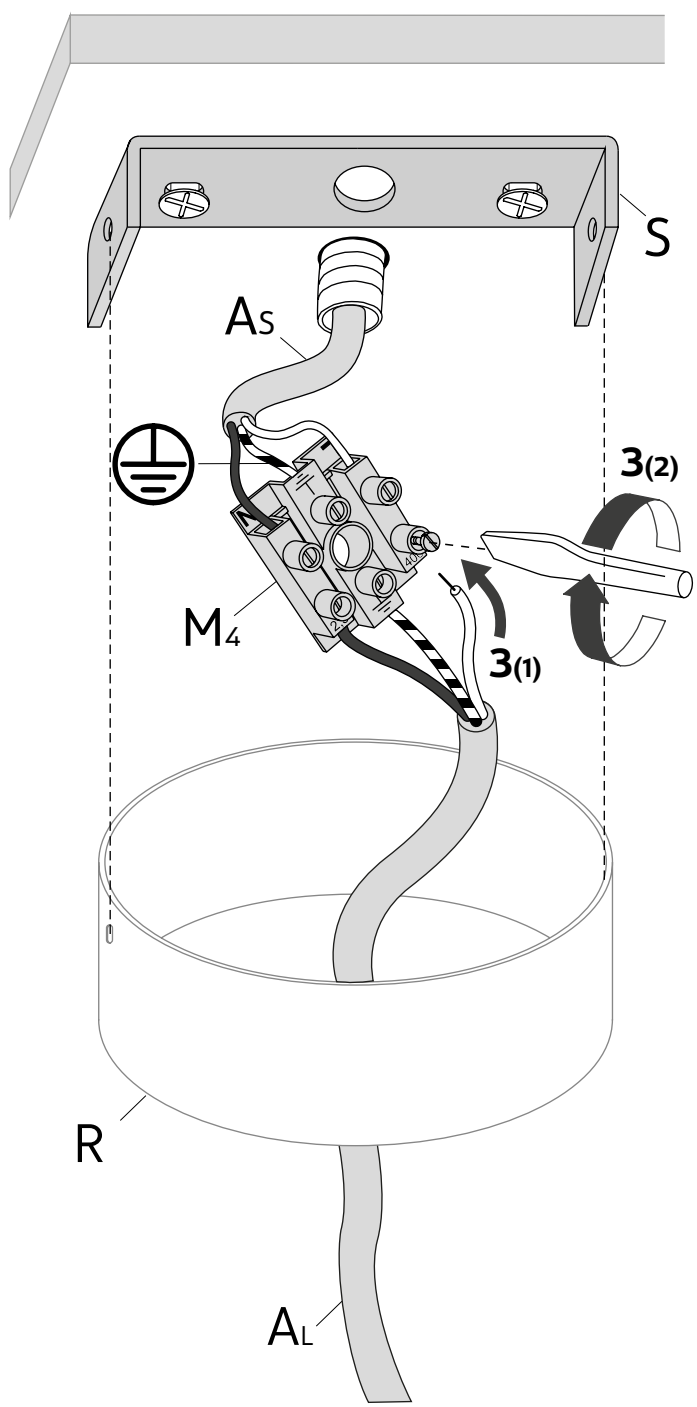
2x **B_o**



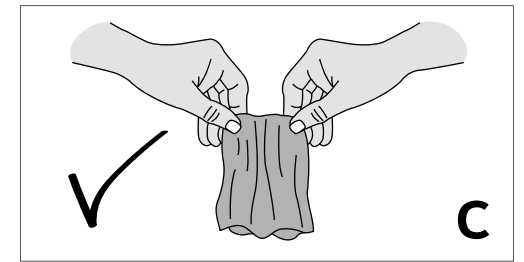
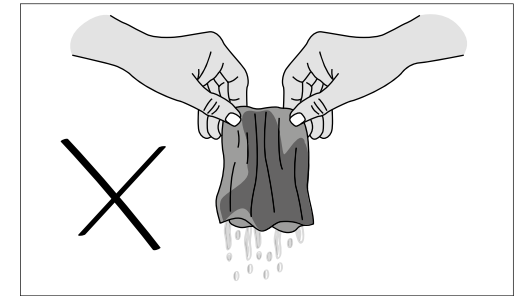
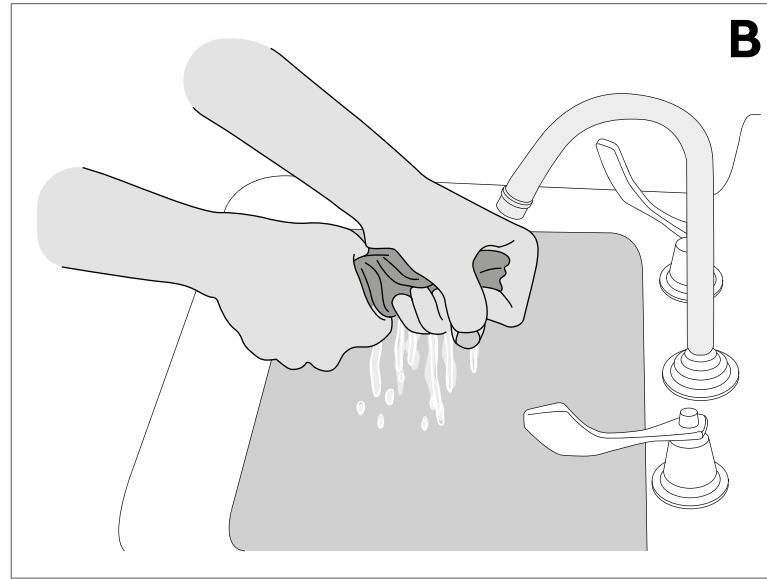




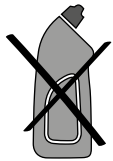
2



3



chemical agents



chemical agents



alcohol

