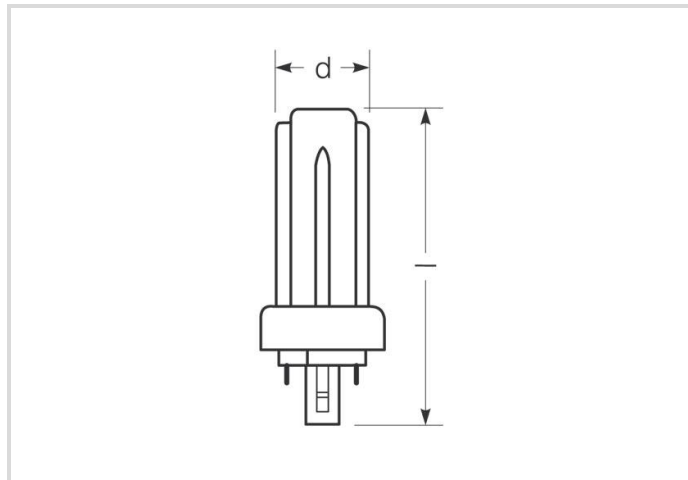


# Compact fluorescent lamp Ralux® Trio/E

RX-T/E 26W/830/GX24Q

# Radium

Product Datasheet Date: 19.10.2024



G



1750



3000K



20 000h



Dimmable

## General Data

Article No.	31313068
Code	RX-T/E 26W/830/GX24Q
Product EAN	4008597130687
Box quantity (pcs.)	10
EAN Box	4008597430688
Gross weight of box in kg	0.872
Length of box in m	0.24
Width of box in m	0.102
Height of box in m	0.161
Product weight	62 g
Product status	<span style="color: red;">●</span> Inactive

## Electric Parameters

Rated wattage	27.1 W
Lamp nominal wattage	26 W
Weighted energy consumption in 1,000 hours	28 kWh
Lamp voltage	105 V
Mains voltage	230 V

## Electric Parameters

Nominal current (mA)	325 mA
dimnable	Yes

## Light Application Parameters

Luminous flux	1800 lm
Rated lamp luminous flux	1750 lm
max. luminous flux at	25 °C
Luminous efficiency	65 lm/W
Radium light colour	warm white
Code of light color	830
Colour temperature	3000 K
Color coordinate X	0.440
Color coordinate Y	0,403
Color rendering index	? 80
Mean luminance	6
Lumen maintenance at 2000h	0.90
Lumen maintenance at 4000h	0.84
Lumen maintenance at 6000h	0.83
Lumen maintenance at 8000h	0.81
Lumen maintenance at 12000h	0.79
Lumen maintenance at 16000h	0.78
Lumen maintenance at 20000h	0.77

## Service Life

Average nominal lifespan	20000 h
Mean service life, HF 3h cycle	20000 h
Lamp survival factor at 2000h	0.99
Lamp survival factor at 4000h	0.99
Lamp survival factor at 6000h	0.99
Lamp survival factor at 8000h	0.99
Lamp survival factor at 12000h	0.95
Lamp survival factor at 16000h	0.81
Lamp survival factor at 20000h	0.50

## Specification

Energylabel notice	current label, with EPREL registration
Energy Label A to G	G
Diameter	49 mm
Length max.	132 mm
Total length	132 mm
Length	132 mm
Mercury content	1.9 mg
Base	GX24q-3
Colour	White

## Notes on Operation

Ambient temperatures	-5 ... +40 °C
----------------------	---------------

## Information especially for EPREL

Energylabel notice	current label, with EPREL registration
EPREL ID number	541248

## Miscellaneous

EU-date of phase-out	25.02.2023
EU Directive	RoHS

## Notes

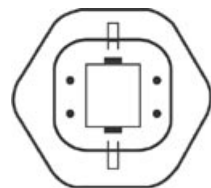
Compact fluorescent lamp, light colour 830, high luminous efficiency, good colour rendering, long life, base GX24q. Controllable by Dim-ECG.

Please, refer to [www.radium.de/recycling](http://www.radium.de/recycling) for notes on disposal of burned-out lamps as well as lamp breakage.

The "lifespan L70" described for LED lamps indicates the number of hours when the luminous flux has decreased to 70% of its initial value.

The optimal field 'info about service life' contains the frame conditions according to standards based on which the specific service life has been determined. So, for example, "12B50, 50Hz" means that the mean service life (B50) has been determined with a 12h switching cycle at mains (frequency 50Hz), "3B50, HF" is based on a 3h switching cycle at electronic control gear (high frequency).

### Base



GX24q  
IEC/EN 60061-1  
sheet 7004-78-5

### Spectrum

Natural daylight is a mixture of direct sunlight and the light of the sky. Therefore, its spectral composition changes permanently due to the changing time of day. The standardised light classification D65 corresponds to a daylight with a colour temperature of approximately 6500 K.

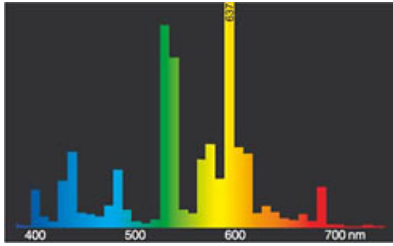
Every fluorescent lamp type has got an individual spectral power distribution according to its phosphor coating inside the bulb. From this result important properties light colour or colour rendering.

# Compact fluorescent lamp Ralux® Trio/E

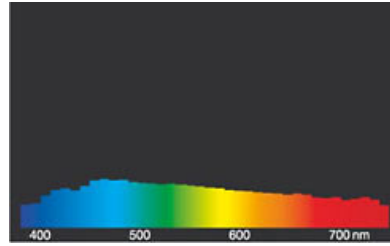
RX-T/E 26W/830/GX24Q

Radium

Visible region from 380 to 780 nm; height of graph corresponding with relative spectral emission (400mW/klm) per 10nm.



light colour 830 Spectralux® Warm white (31)



daylight(D 65)

## Special features



## General notes

The technical design data in accordance with DIN and IEC. The producer does not take any responsibility for damage to persons or property in case of unsuitable operation or handling of the product. Operating data and dimensions are valid within the usual tolerances. Related lamp types (different bases, mains voltages) may be available on request. Sale and delivery are effected in accordance with the Radium Terms of Delivery and Payment valid on the day of conclusion of contract. Packing units offer economical advantages to the purchase and logistic department. Please match your quantity volume accordingly. For orders of a minimum quantity (clefts) with a lamp model the amount lower than the volume of each packaging unit, we will invoice 10 % additional charge per lamp type. Technical changes and terms of delivery are reserved. Manipulation of any kind to packaging or product is not permissible as this will violate Radium brand rights. Furthermore, technical properties of the product can change to its disadvantage or even destruction. Therefore, Radium cannot be responsible for consequential damages.

® = Registered trademark

Subject to change without notice. Errors and omissions excepted.

All technical data without guarantee.