

RF3320400

Black plug assembly kit & 48V driver



WARNING! When installing and whenever acting on the appliance, ensure that the power supply has been switched off.
For the installation of the spare-part, it is necessary to consult a qualified electrician.

RF3320400

Black plug assembly kit & 48V driver

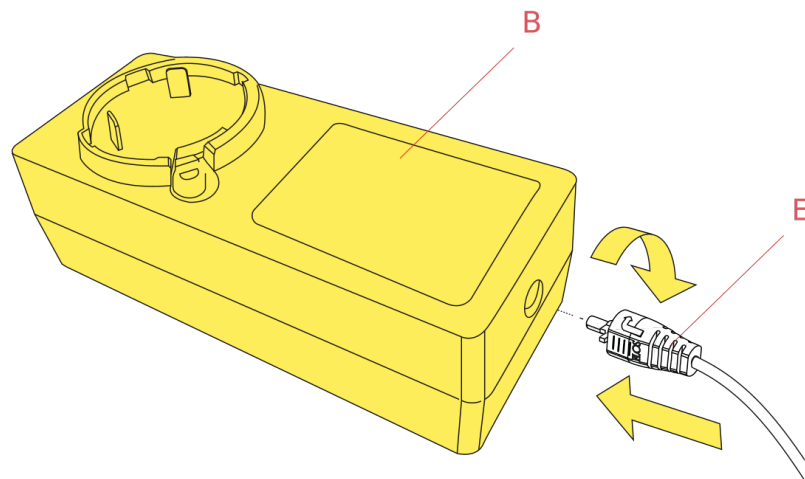


Fig.1

Insert the plug (E) into the power unit (B). By using the guides, snap the plug inside its opposite slot (use the correct type of plug for the country in which the device must be installed).

WARNING! When installing and whenever acting on the appliance, ensure that the power supply has been switched off. For the installation of the spare-part, it is necessary to consult a qualified electrician.