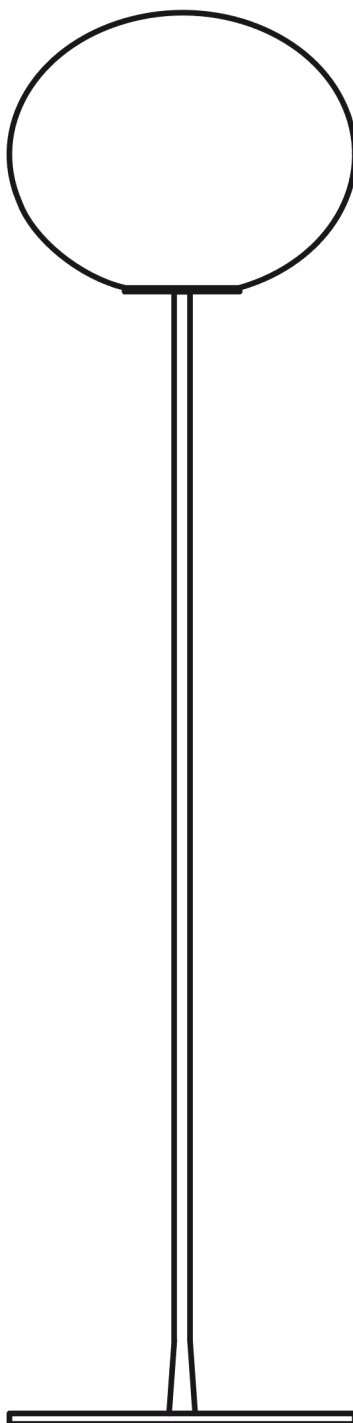


GLO-BALL F3

Designed by Jasper Morrison, 1998

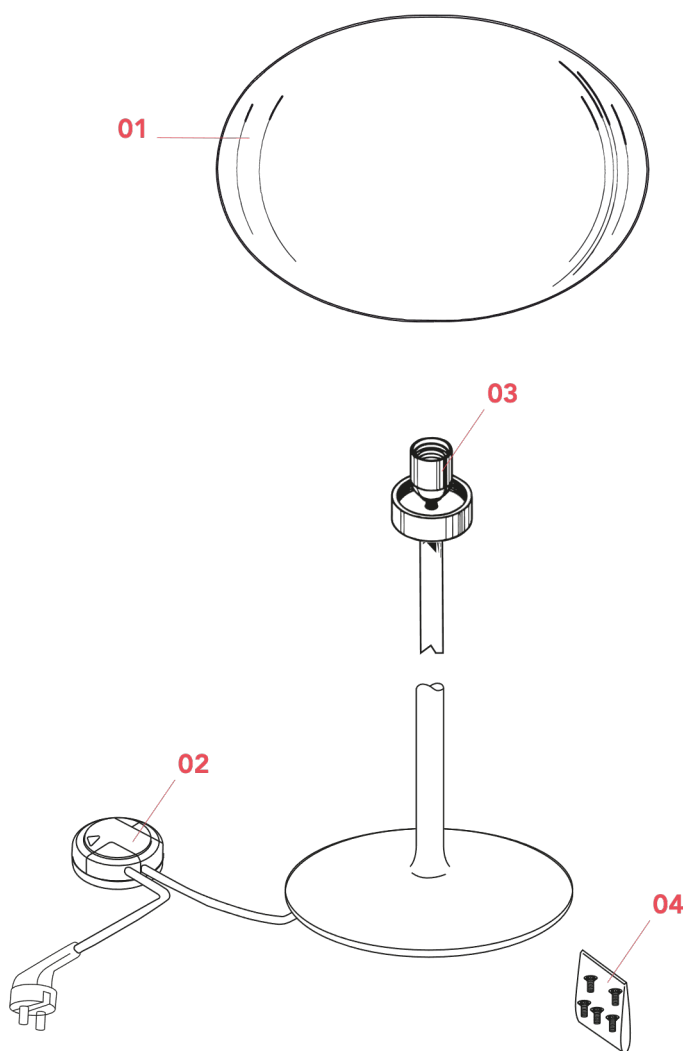
F3030031



GLO-BALL F3

F3030031

EN



- 01. F3055031 – White/black diffuser 2
- 02. RF28045 – Led 220/240V 40-250W 4-100W Rondò dimmer
- 03. RF2500200 – Lamp holder assembly
- 04. RF3020100 – Kit of 5 white feed pads for base

GLO-BALL F3 F3030031

EN

F3055031

WHITE/BLACK DIFFUSER 1



WARNING! When installing and whenever acting on the appliance, ensure that the power supply has been switched off.
For the installation of the spare-part, it is necessary to consult a qualified electrician.

©2021 Flos - All rights reserved - www.flos.com
Flos reserves the right to introduce any changes to its own models, without prior notice.

GLO-BALL F3 F3030031

EN

F3055031

WHITE/BLACK DIFFUSER 1

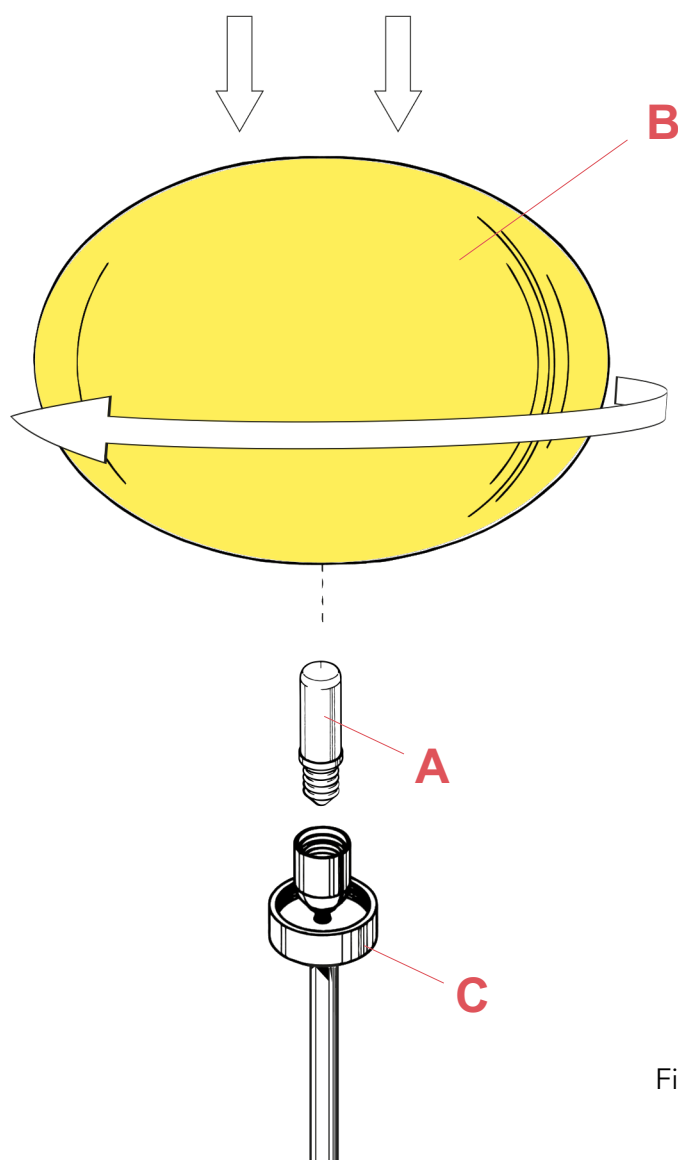


Fig.1

Insert the bulb (A). Position the diffuser (B) on the support (C) and secure it, turning it clockwise.

WARNING! When installing and whenever acting on the appliance, ensure that the power supply has been switched off. For the installation of the spare-part, it is necessary to consult a qualified electrician.

GLO-BALL F3 F3030031

EN

RF28045

LED 220/240V 40-250W 4-100W RONDÒ DIMMER



Bibliothèque
Nationale
p.05



Glo-ball
F1
p.05



Glo-ball
F2
p.05



Glo-ball
F3
p.05



Ic F1
p.05



Ic F2
p.05



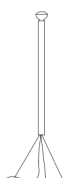
Ktribe
F2
p.05



Ktribe
F3
p.05



Lounge
Gun
p.13



Luminator
Dim
p.05



Parentesi D
p.32



Parentesi
50
p.32



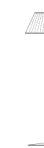
Ray
F1
p.17



Ray F2
p.17



Romeo
Moon F
p.44



Romeo
Soft
p.33



Spun
Light F
p.09



Toio
Led
p.38

WARNING! When installing and whenever acting on the appliance, ensure that the power supply has been switched off.
For the installation of the spare-part, it is necessary to consult a qualified electrician.

GLO-BALL F3 F3030031

EN

RF28045

LED 220/240V 40-250W 4-100W RONDÒ DIMMER



Fig.1

Open the box of the damaged dimmer.

For the opening, it is necessary to remove the rubber pad from underneath the dimmer box;



Fig.2

Unfasten the screw that locks the triangle terminal cover;

WARNING! When installing and whenever acting on the appliance, ensure that the power supply has been switched off.
For the installation of the spare-part, it is necessary to consult a qualified electrician.

GLO-BALL F3 F3030031

EN

RF28045

LED 220/240V 40-250W 4-100W RONDÒ DIMMER



Fig.3

Turn the dimmer box and remove the terminal cover;



Fig.4

Unfasten the three screws of the cable clamps;

WARNING! When installing and whenever acting on the appliance, ensure that the power supply has been switched off.
For the installation of the spare-part, it is necessary to consult a qualified electrician.

GLO-BALL F3 F3030031

EN

RF28045

LED 220/240V 40-250W 4-100W RONDÒ DIMMER



Fig.5



Fig.6

Remove the cable clamp and disconnect the cables from the green terminal box.

Assemble now the new dimmer:

Connect the cables respecting the polarities, lock the wires by positioning the cable clamp and then fasten the three screws, cover the green terminal box with the triangle cover, turn the dimmer box, fasten the screw and stick-on the rubber pads.

WARNING! When installing and whenever acting on the appliance, ensure that the power supply has been switched off.
For the installation of the spare-part, it is necessary to consult a qualified electrician.

GLO-BALL F3 F3030031

EN

RF2500200

LAMP HOLDER ASSEMBLY



Frisbi
p.15



Glo-ball
Basic 1
p.08



Glo-ball
Basic 2
p.08



Glo-ball
C1
p.05



Glo-ball
C2
p.05



Glo-ball
F1
p.09



Glo-ball
F2
p.09



Glo-ball
F3
p.09



Glo-ball
S1
p.05



Glo-ball
T1
p.05

WARNING! When installing and whenever acting on the appliance, ensure that the power supply has been switched off. For the installation of the spare-part, it is necessary to consult a qualified electrician.

GLO-BALL F3 F3030031

EN

RF2500200

LAMP HOLDER ASSEMBLY

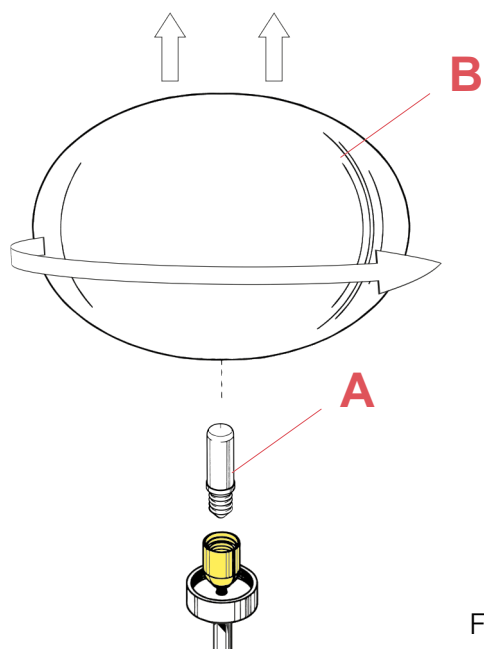


Fig.1

Remove the diffuser (B) and the lamp-bulb (A).



Fig.2

Lay the lamp body down on a clean towel. Remove the cable clamps (C) by unfastening there apposite screws.

WARNING! When installing and whenever acting on the appliance, ensure that the power supply has been switched off. For the installation of the spare-part, it is necessary to consult a qualified electrician.

GLO-BALL F3 F3030031

EN

RF2500200

LAMP HOLDER ASSEMBLY



Fig.3

Remove the lamp holder.
Insert a flat headed screw driver inside the opening of the lateral clamp and unhook the lamp holder (D) from the support. Repeat the same operation also for the opposite side.



Fig.4

Remove the lamp holder from its support and disconnect the electrical wires by pressing the push terminals with a paper clip (E) or something similar.
Cut-off the cable tie (F).

WARNING! When installing and whenever acting on the appliance, ensure that the power supply has been switched off.
For the installation of the spare-part, it is necessary to consult a qualified electrician.

GLO-BALL F3 F3030031

EN

RF2500200

LAMP HOLDER ASSEMBLY



Fig.5

Remove the cable isolator (G) from the electrical cable.



Fig.6

Unfasten the locking screw (H) by utilizing a tiny flat headed screw driver.

WARNING! When installing and whenever acting on the appliance, ensure that the power supply has been switched off. For the installation of the spare-part, it is necessary to consult a qualified electrician.

GLO-BALL F3 F3030031

EN

RF2500200

LAMP HOLDER ASSEMBLY



Fig.7



Fig.8

Remove the lamp holder support (I) by unfastening it from the assembly.

Assemble now the new spare-part:

Tighten the lamp holder support (I) onto the assembly and then fasten the locking screw (H) (Fig.6 page 12) by utilizing a flat headed screw driver.

Insert the isolator (F) (Fig.4 page 11).

WARNING! When installing and whenever acting on the appliance, ensure that the power supply has been switched off. For the installation of the spare-part, it is necessary to consult a qualified electrician.

GLO-BALL F3 F3030031

EN

RF2500200

LAMP HOLDER ASSEMBLY

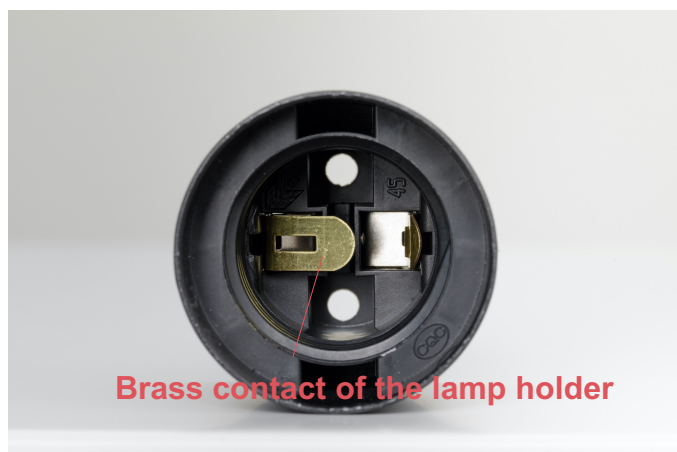


Fig.9

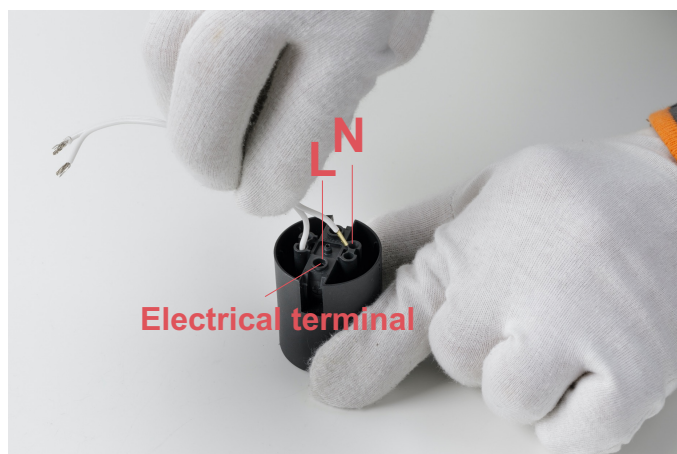


Fig.10

Connect the electrical wires to the lamp holder by utilizing always the paper clip. Connect the Brown "L" (live) wire in the terminal that corresponds (opposite side) to the centre brass contact of the lamp holder and then connect the Blue "N" (neutral) wire in the other terminal.

N.B. The electrical wires are connected by pushing the wires inside the terminals, therefore it is necessary to verify that they are connected properly.

Now reassembly the lamp:

Hook the lamp holder (D) (Fig.3 page 11) on the support (I). (Fig.7 page 13)
Position the electrical cable between the threaded holes and fix the cable clamps (C) by fastening the screws. (Fig.2 page 11)

WARNING! When installing and whenever acting on the appliance, ensure that the power supply has been switched off. For the installation of the spare-part, it is necessary to consult a qualified electrician.

GLO-BALL F3 F3030031

EN

RF3020100

KIT OF 5 WHITE FEET PADS FOR BASE



Glo-ball
F1
p.15



Glo-ball
F2
p.15



Glo-ball
F3
p.15



Glo-ball
T1
p.14



Ktribe
F2
p.09



Ktribe
F3
p.09



Tatou F
p.16

WARNING! When installing and whenever acting on the appliance, ensure that the power supply has been switched off.
For the installation of the spare-part, it is necessary to consult a qualified electrician.

GLO-BALL F3 F3030031

EN

RF3020100

KIT OF 5 WHITE FEET PADS FOR BASE



Fig.1

Glue the feet (A) to the base by utilizing glue.
We advise to utilize the Loctite 454 glue.

WARNING! When installing and whenever acting on the appliance, ensure that the power supply has been switched off.
For the installation of the spare-part, it is necessary to consult a qualified electrician.