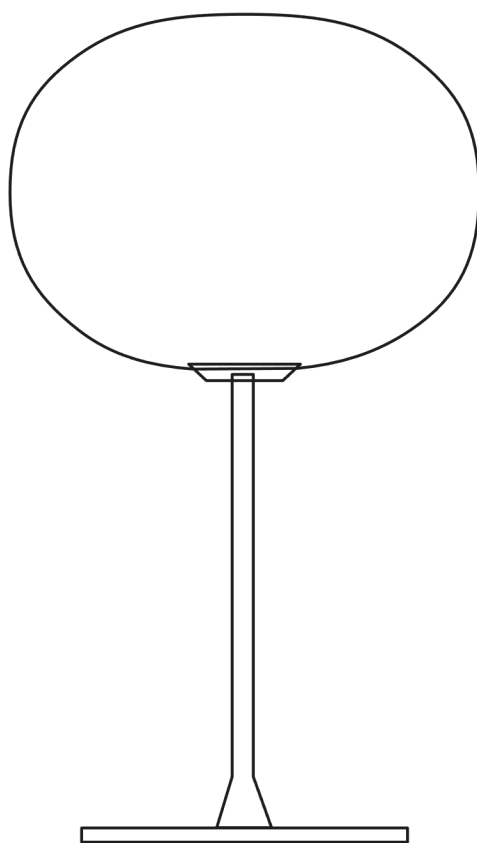


GLO-BALL T1

Designed by Jasper Morrison, 1998

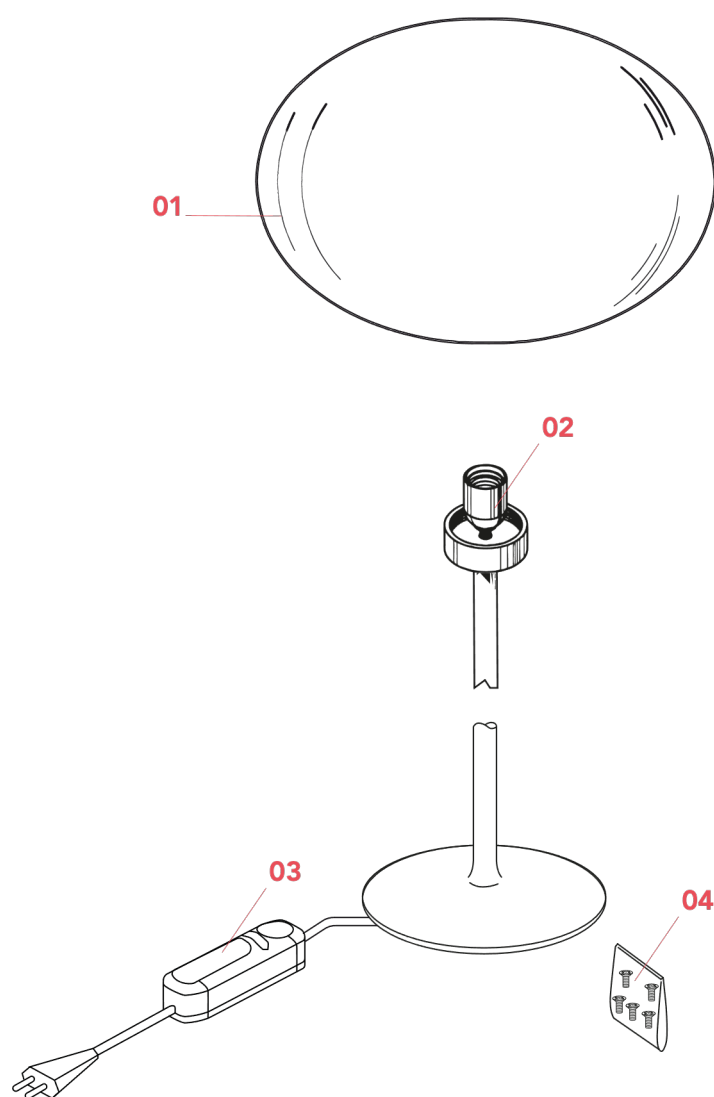
F3020031



GLO-BALL T1

F3020031

EN



- 01. F3050031 – White/black diffuser 1
- 02. RF2500200– Lamp holder assembly
- 03. RF32262 – Led dimmer 1004P LFP100-240V 4-150WHL 4-25W
- 04. RF3020100 – Kit of 5 white feed pads for base

GLO-BALL T1 F3020031

EN

F3050031

WHITE/BLACK DIFFUSER 1



Glo-ball
F1
p.03



Glo-ball
F2
p.03



Glo-ball
T1
p.03

WARNING! When installing and whenever acting on the appliance, ensure that the power supply has been switched off.
For the installation of the spare-part, it is necessary to consult a qualified electrician.

GLO-BALL T1 F3020031

EN

F3050031

WHITE/BLACK DIFFUSER 1

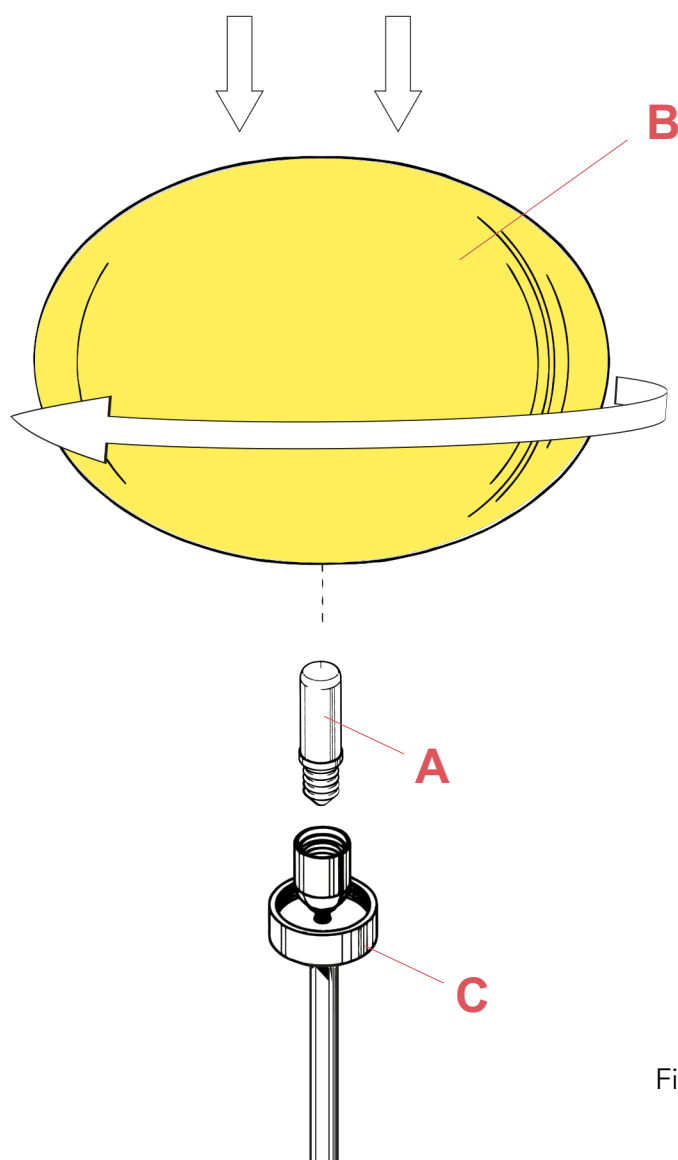


Fig.1

Insert the bulb (A). Position the diffuser (B) on the support (C) and secure it, turning it clockwise.

WARNING! When installing and whenever acting on the appliance, ensure that the power supply has been switched off. For the installation of the spare-part, it is necessary to consult a qualified electrician.

GLO-BALL T1 F3020031

EN

RF2500200

LAMP HOLDER ASSEMBLY



Frisbi
p.15



Glo-ball
Basic 1
p.08



Glo-ball
Basic 2
p.08



Glo-ball
C1
p.05



Glo-ball
C2
p.05



Glo-ball
F1
p.09



Glo-ball
F2
p.09



Glo-ball
F3
p.09



Glo-ball
S1
p.05



Glo-ball
T1
p.05

WARNING! When installing and whenever acting on the appliance, ensure that the power supply has been switched off.
For the installation of the spare-part, it is necessary to consult a qualified electrician.

GLO-BALL T1 F3020031

EN

RF2500200

LAMP HOLDER ASSEMBLY

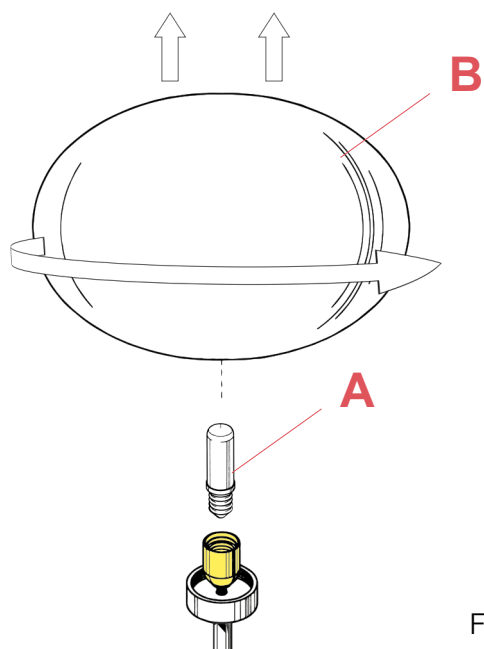


Fig.1

Remove the diffuser (B) and the lamp-bulb (A).



Fig.2

Lay the lamp body down on a clean towel. Remove the cable clamps (C) by unfastening there apposite screws.

WARNING! When installing and whenever acting on the appliance, ensure that the power supply has been switched off. For the installation of the spare-part, it is necessary to consult a qualified electrician.

GLO-BALL T1 F3020031

EN

RF2500200

LAMP HOLDER ASSEMBLY



Fig.3

Remove the lamp holder.
Insert a flat headed screw driver inside the opening of the lateral clamp and unhook the lamp holder (D) from the support. Repeat the same operation also for the opposite side.



Fig.4

Remove the lamp holder from its support and disconnect the electrical wires by pressing the push terminals with a paper clip (E) or something similar.
Cut-off the cable tie (F).

WARNING! When installing and whenever acting on the appliance, ensure that the power supply has been switched off.
For the installation of the spare-part, it is necessary to consult a qualified electrician.

GLO-BALL T1 F3020031

EN

RF2500200

LAMP HOLDER ASSEMBLY



Fig.5

Remove the cable isolator (G) from the electrical cable.

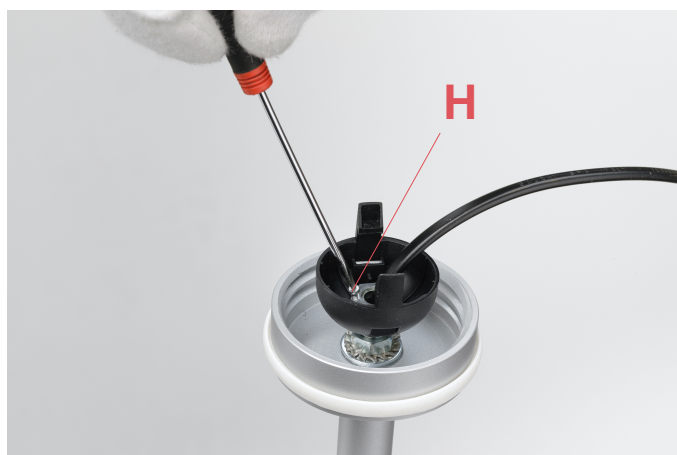


Fig.6

Unfasten the locking screw (H) by utilizing a tiny flat headed screw driver.

WARNING! When installing and whenever acting on the appliance, ensure that the power supply has been switched off. For the installation of the spare-part, it is necessary to consult a qualified electrician.

GLO-BALL T1 F3020031

EN

RF2500200

LAMP HOLDER ASSEMBLY



Fig.7



Fig.8

Remove the lamp holder support (I) by unfastening it from the assembly.

Assemble now the new spare-part:

Tighten the lamp holder support (I) onto the assembly and then fasten the locking screw (H) (Fig.6 page 8) by utilizing a flat headed screw driver.

Insert the isolator (F) (Fig.4 page 7)

WARNING! When installing and whenever acting on the appliance, ensure that the power supply has been switched off.
For the installation of the spare-part, it is necessary to consult a qualified electrician.

GLO-BALL T1 F3020031

EN

RF2500200

LAMP HOLDER ASSEMBLY



Fig.9

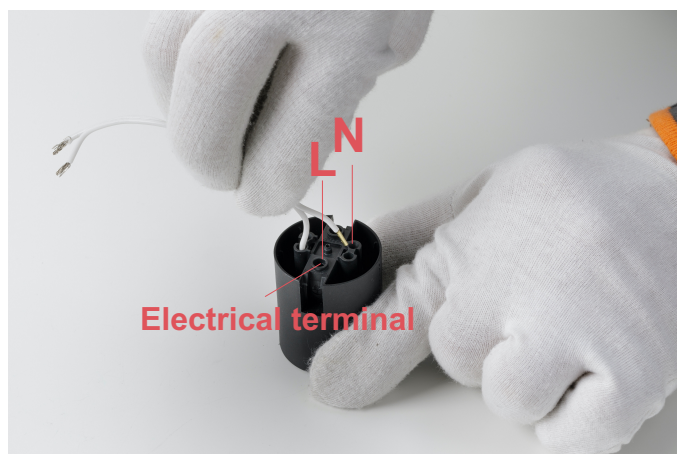


Fig.10

Connect the electrical wires to the lamp holder by utilizing always the paper clip. Connect the Brown "L" (live) wire in the terminal that corresponds (opposite side) to the centre brass contact of the lamp holder and then connect the Blue "N" (neutral) wire in the other terminal.

N.B. The electrical wires are connected by pushing the wires inside the terminals, therefore it is necessary to verify that they are connected properly.

Now reassembly the lamp:

Hook the lamp holder (D) (Fig.3 page 7) on the support (I). (Fig.7 page 9)

Position the electrical cable between the threaded holes and fix the cable clamps (C) by fastening the screws. (Fig.2 page 6)

WARNING! When installing and whenever acting on the appliance, ensure that the power supply has been switched off. For the installation of the spare-part, it is necessary to consult a qualified electrician.

GLO-BALL T1 F3020031

EN

RF32262

LED DIMMER 1004P LFP100-240V 4-150WHL 4-25W



Bedside
Gun
p.12



Chiara T
p.03



Glo-ball
Basic 0
p.11



Glo-ball
Basic 1
p.14



Glo-ball
Basic 2
p.05



Glo-ball
T1
p.11



Ic T1
High
p.08



Ic T1
Low
p.08



Ic T2
p.08



Ktribe T1
p.05



Ktribe T2
p.05



Ray T
p.17



Romeo
Moon
T1
p.32



Romeo
Soft T1
p.32



Spun
Light
T1
p.12



Spun
Light
T2
p.12



Table
Gun
p.12

WARNING! When installing and whenever acting on the appliance, ensure that the power supply has been switched off.
For the installation of the spare-part, it is necessary to consult a qualified electrician.

GLO-BALL T1 F3020031

EN

RF32262

LED DIMMER 1004P LFP100-240V 4-150WHL 4-25W



Fig.1



Fig.2

Open the dimmer box of the damaged dimmer.
For the opening, it is necessary to remove the n°2 screws using a star screw driver.

Lift-up the dimmer casing from the dimmer base;

WARNING! When installing and whenever acting on the appliance, ensure that the power supply has been switched off.
For the installation of the spare-part, it is necessary to consult a qualified electrician.

RF32262

LED DIMMER 1004P LFP100-240V 4-150WHL 4-25W

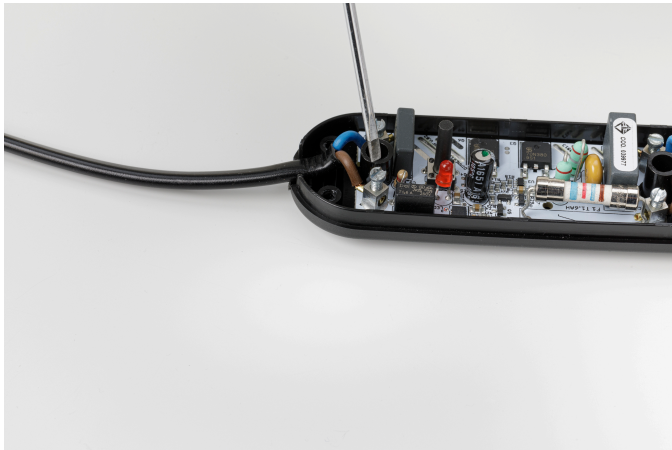


Fig.3

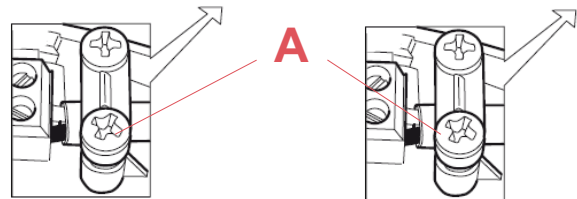


Fig.3.1

Remove the cable clamps by unfastening the 4 screws (A) and disconnect the wires from the terminal blocks through a tiny flat headed screw driver;



Fig.4

Replace the dimmer and connect the wires. When connecting the wires it is necessary to respect the polarities (L = Brown and N = Blue) to the terminal box. Lock the electrical cables by fastening the screws (A) of the cable clamps and make sure to block the isolation of the electrical cable.

Close the dimmer box. It is necessary to place the casing on top and press down until it locks in. it is necessary to insert the n°2 screws using a star screw driver

WARNING! When installing and whenever acting on the appliance, ensure that the power supply has been switched off. For the installation of the spare-part, it is necessary to consult a qualified electrician.

GLO-BALL T1 F3020031

EN

RF3020100

KIT OF 5 WHITE FEED PADS FOR BASE



Glo-ball
F1
p.15



Glo-ball
F2
p.15



Glo-ball
F3
p.15



Glo-ball
T1
p.14



Ktribe
F2
p.09



Ktribe
F3
p.09



Tatou F
p.16

WARNING! When installing and whenever acting on the appliance, ensure that the power supply has been switched off.
For the installation of the spare-part, it is necessary to consult a qualified electrician.

GLO-BALL T1 F3020031

EN

RF3020100

KIT OF 5 WHITE FEED PADS FOR BASE



Fig.1

Glue the feet (A) to the base by utilizing glue.
We advise to utilize the Loctite 454 glue.

WARNING! When installing and whenever acting on the appliance, ensure that the power supply has been switched off.
For the installation of the spare-part, it is necessary to consult a qualified electrician.

©2021 Flos - All rights reserved - www.flos.com
Flos reserves the right to introduce any changes to its own models, without prior notice.