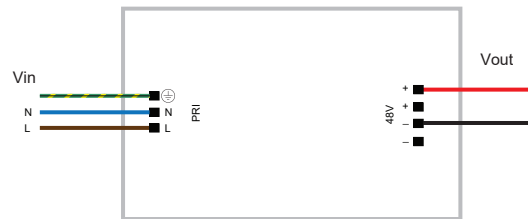


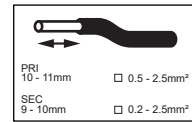
LED Gear 48V 75W

12408730

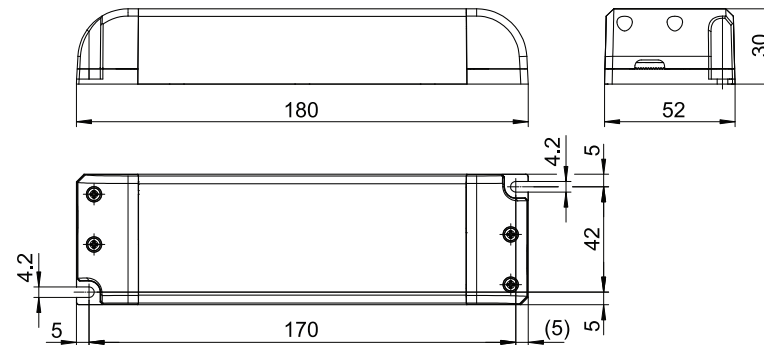
WIRING diagram



Wiring



Dimensions



Rated Voltage

220 ÷ 240 V

Frequency

50...60 Hz

Output Voltage

48V

Power

75 W

Temperature

T_c = 85°C

T_a = -15...+45°C

max. Efficiency

90 %

max. drivers on MCB 16A type B

15

Reference Norms

EN 55015

EN 61000-3-2

EN 61347-1

EN 61347-2-13

EN 62384

EN 61547