

UP

Design by Ramos & Bassols.

Reference

4460.

Application

Ceiling Lamps

Installation type

Surface

Description

Up is a ceiling lamp with a surface installation that includes a new flat diffusion LED system. Designed by Ramos & Bassols, it is characterised by including the equipment integrated in a 7cm-high structure.

Diffuser

Polycarbonate diffuser

Materials

Diffuser: Polycarbonate

Body: Aluminum

Ceiling support: Steel

Finish

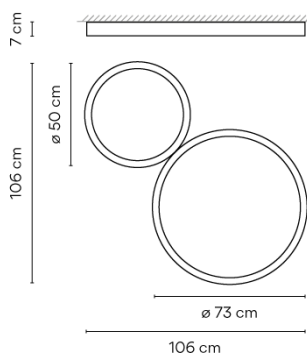


4460-18 Graphite (RAL 7016)



4460-93 Matt white (RAL 9016)

Sketch



Electrical characteristics

1 x LED PLATE 26,5W 700mA

AND

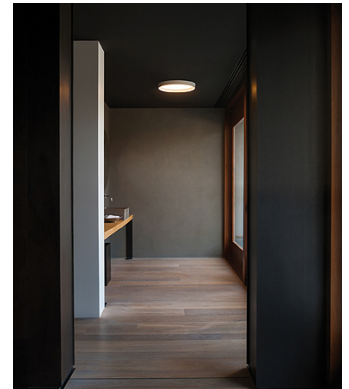
1 x LED PLATE 55,3W 750mA



Total 81.8 W



VIBIA



Light source: 2700K CRI >80 7608 lm 93 lm/W

Fixture: 4677 lm 57 lm/W

Driver included: CC - Constant Current 750 mA 110-240V 50/60Hz

Electronic dimming DALI 1-10V Push

ficha.fichatecnicaproducto.regulacion.opcional SMART

Physical characteristics

2 Box / 0.17 x 0.90 x 0.90 m. / Vol. 0.2033 m³ /

Gross weight 25.0 kg. / Net weight 22.5 kg.

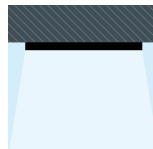
Installation and assembly

Please, see the installation manual

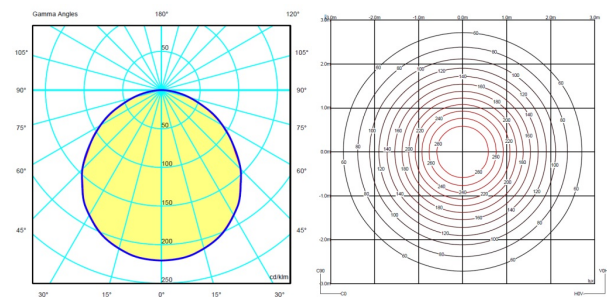
Light distribution

General lighting

Lamp for general lighting that equally distributes the light in all directions.



Photometric data



Certificates

