

LIGHT ENGINE

Leading and trailing edge dimmable Light Engine with Dim to Warm, flicker free behaviour

I. LIGHT ENGINE I

11 WATT | 1000 LUMENS | 2200K TO 2700K
T30-11W-2200/2700K-E14-SMD

II. LIGHT ENGINE II

22 WATT | 2000 LUMENS | 2200K TO 2700K
T45-22W-2200/2700K-E27-SMD

III. LIGHT ENGINE III

32 WATT | 3000 LUMENS | 2200K TO 2700K
T45-32W-2200/2700K-E27-SMD



I.



II.



III.

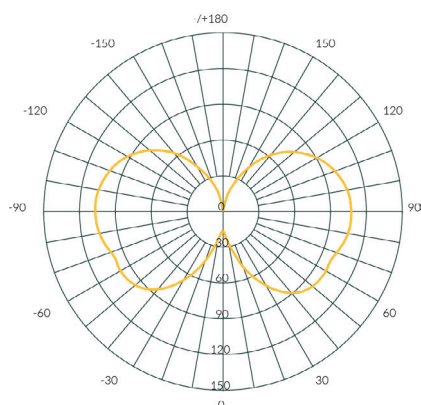
	LIGHT ENGINE I	LIGHT ENGINE II	LIGHT ENGINE III
Min. delivered CCT		2200K	
Max. delivered CCT		2700K	
Percent Flicker (IES)		<5%	
Beam angle		~360°	
Dimmable		Dim to Warm	
Lumen Maintenance*		30,000hrs (L _{70B50})	
Working ambient temp*		-10° to 55°	
Switch cycles		30,000	
Warm-up time		Instant	
Input frequency		50/60Hz	
Input Voltage		220-240V	
Power Factor		0.95	

*refer to Light Engine operating conditions

CRI(Ra)	95	93	95
R9	65	60	65
Rated power	11W	22W	32W
Efficiency (lm/W)	95	95	95
Bulb shape	T30	T44	T44
Base cap	E14	E27	E27
Weight	62g	180g	255g
Dimensions (ø x L mm)	30 x 104	44 x 146	44 x 220

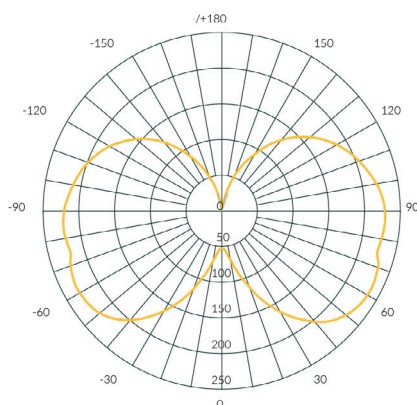
LUMINOUS INTENSITY DISTRIBUTION DIAGRAM

LIGHT ENGINE I



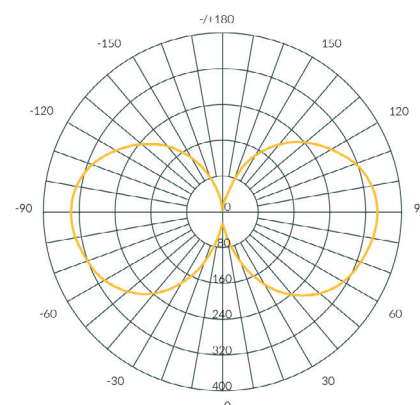
NOMINAL BEAM ANGLE (50%): 334 DEG
UNIT: cd

LIGHT ENGINE II



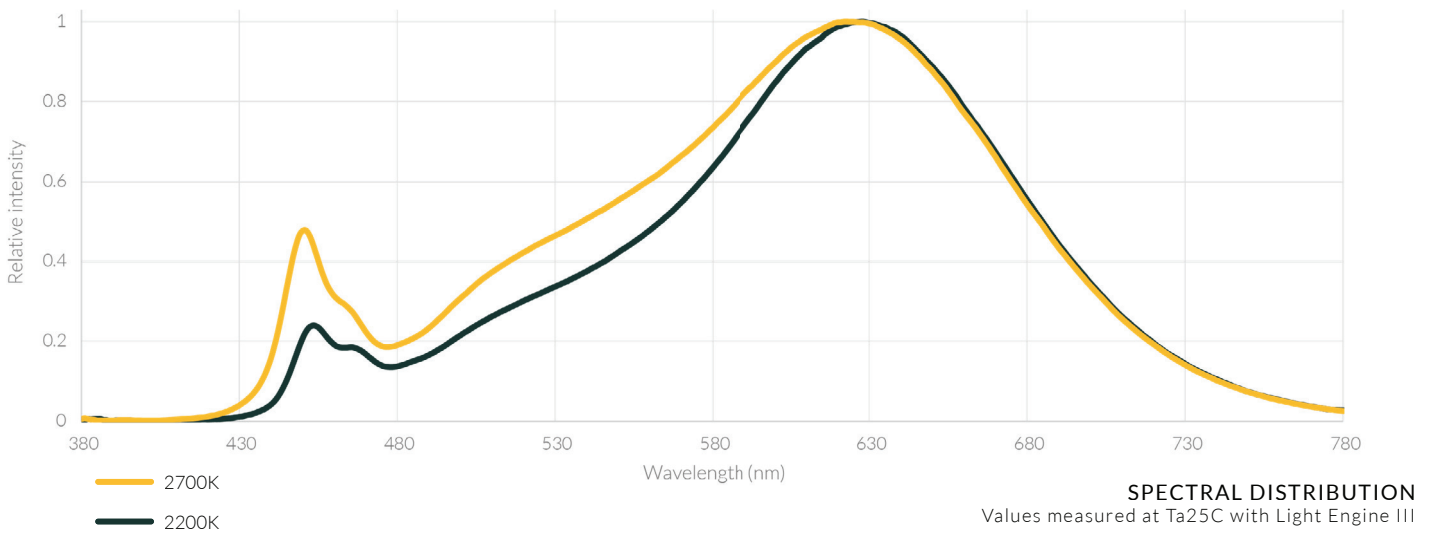
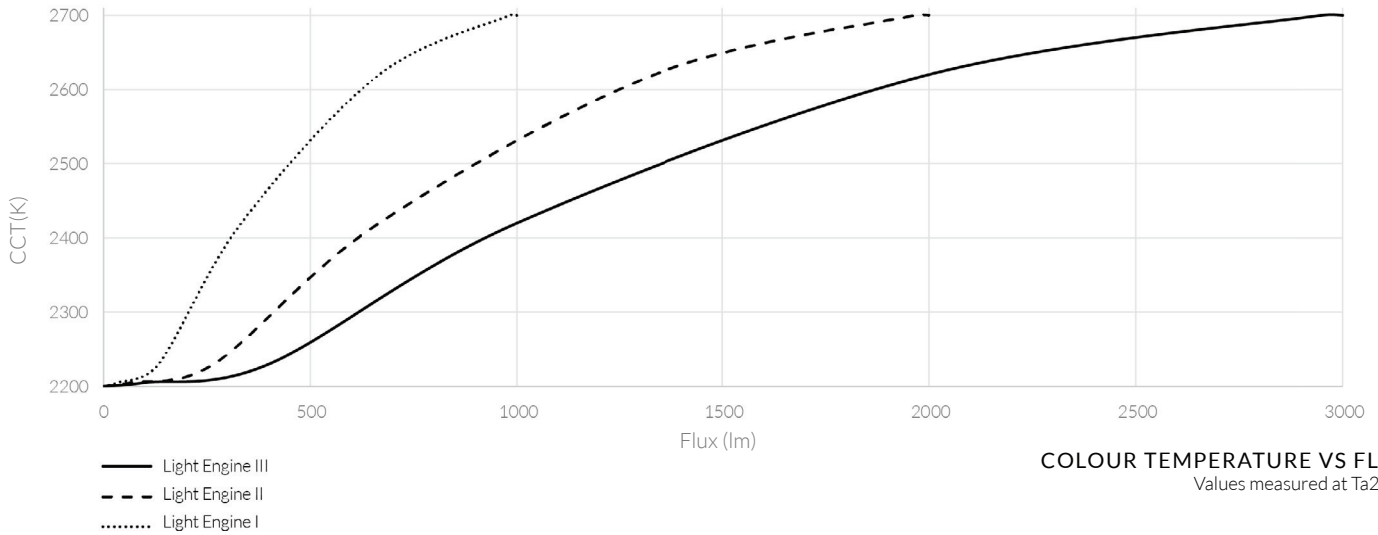
NOMINAL BEAM ANGLE (50%): 332 DEG
UNIT: cd

LIGHT ENGINE III



NOMINAL BEAM ANGLE (50%): 345 DEG
UNIT: cd

LIGHT ENGINE



COLOUR QUALITY METRICS

Values measured at Ta25°C with Light Engine III

2700K

2200K

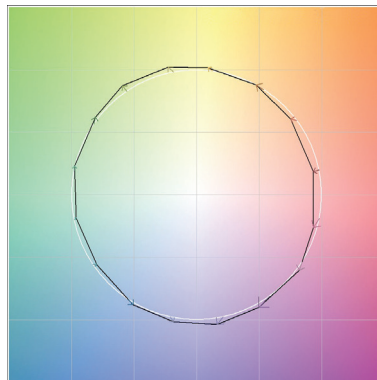
Ra	R1	R2	R3	R4	R5	R6	R7	R8	R9	R10	R11	R12	R13	R14	R15
95	95	98	98	95	96	97	93	85	70	95	96	90	96	99	91
94	96	99	97	95	96	95	90	81	62	98	97	92	97	99	90

IES TM30

COLOUR VECTOR GRAPHIC

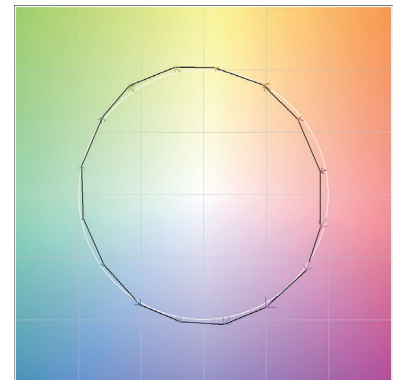
This plot shows the average chromaticity shift for the samples within each of 16 hue bins, which are compiled out of the 99 IES TM-30 Color Evaluation Samples. The values are normalized so that the reference is a circle. Vector arrows indicate the direction and degree of the shift for each hue bin.

- Radial shift indicates an increase/decrease in saturation.
- Tangential shift indicates a shift in hue.
- Length of arrow indicates degree of shift.



2700K (full power)

Colour fidelity (Rf) 90
Colour Gamut (Rg) 102



2200K (min power)

Colour fidelity (Rf) 89
Colour Gamut (Rg) 99

LIGHT ENGINE

Recommended Compatible Dimmers

Busch-Jaeger- 6523U-102
 Casambi - CBU-TED
 Dmax by Domintell - 420BLE
 Dmax by Domintell - 420SL
 Eltako- EUD61NPN-UC
 Eltako- EUD12NPN
 EPV - Dimmtronic M 1000/3.3
 EPV - Dimmtronic PAB 315

Hamilton - LEDIT-B100
 Kaoyi - KLD100EV1
 Kaoyi - KLD100E4
 Kaoyi - KLD 100EV-F
 Legrand - Universal Dimmer
 Lumex - L T1D450LSWE
 Lutron - RA2 Select
 Osram - HTI DALI 315

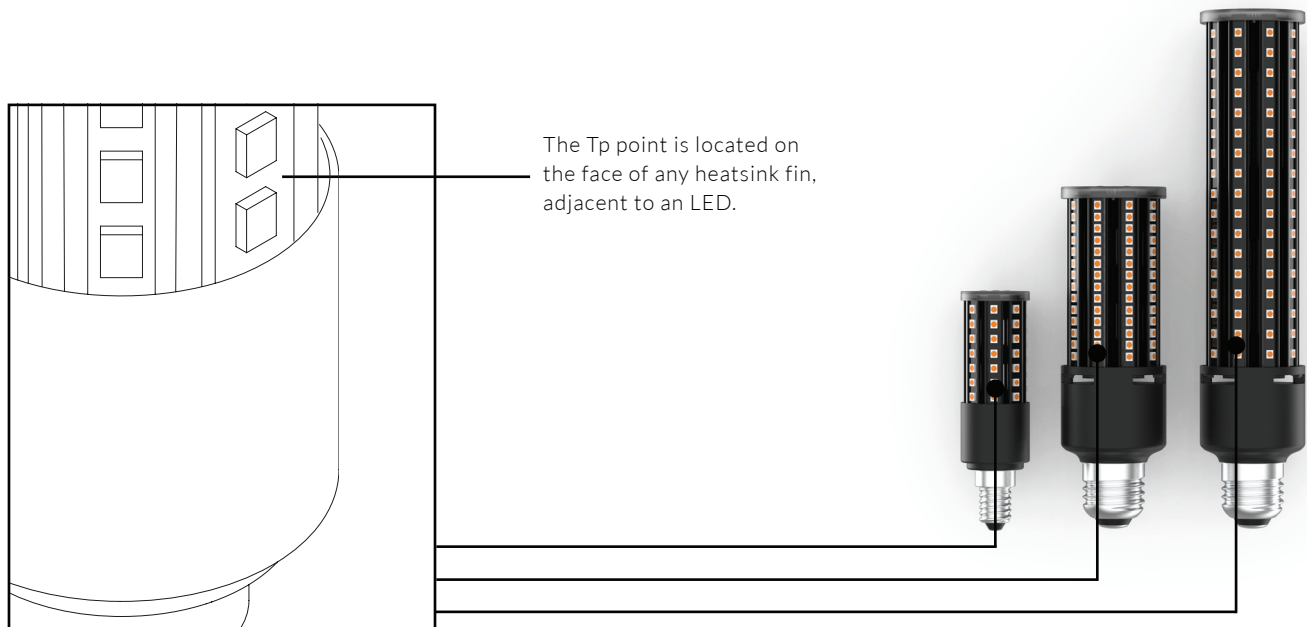
Rako - RMT500
 Relco -ART 101
 Relco- RTS 1
 Relco - Snello
 Relco - RT81
 Relco - Rondo
 Vadsbo - LD200
 Vadsbo - VD300

Vadsbo - LDN200
 Varilight - V-Pro
 Vimar -Eikon 20135.1/20136.1
 Wandsworth-WLC IR1x150TD
 Zan0 - ZBARLED1000

In-situ Temperature Testing

To achieve the best possible performance and ensure the full stated lifetime of the Light Engine, correct thermal design must be practised to ensure the maximum operating temperature of the LEDs and critical components is never exceeded. To ensure compliance it is recommended to undertake In-Situ Temperature Measurement Testing (ISTMT) on each luminaire.

ISTMT can be performed by applying a calibrated thermocouple to the indicated location (Tp) and measuring the maximum steady state temperature at Tp while it is operating in its designed position and or environment. Thermal couples should be bonded to Tp using thermally conductive glue, ideally with direct contact between the thermal couple and the heatsink. A steady state condition can be considered a temperature with less than $\pm 3^{\circ}\text{C}$ of variation over a 15min period.



KEY POINTS FOR THERMAL TESTING

- Exceeding the maximum operating temperature of the product will damage the LEDs and internal components, leading to premature failure and voiding the product warranty.
- Maximum operating temperatures are stated in the table below.
- Measure the temperature at the indicated location (Tp).
- Use calibrated thermal couples, bonded directly onto Tp using appropriate thermally conductive glue.
- Perform the test in its designed position and or environment.
- Record the maximum steady state temperature as defined above.

RECOMMENDATIONS FOR CORRECT THERMAL DESIGN

- Adequate airflow around the light engine.
- Not clustering engines close together, minimum distance 10cm.
- Keep away from flammable objects or surfaces.
- Follow recommended enclosure sizes below.

Alternatively, these tests can be performed by an ISTMT certified laboratory.

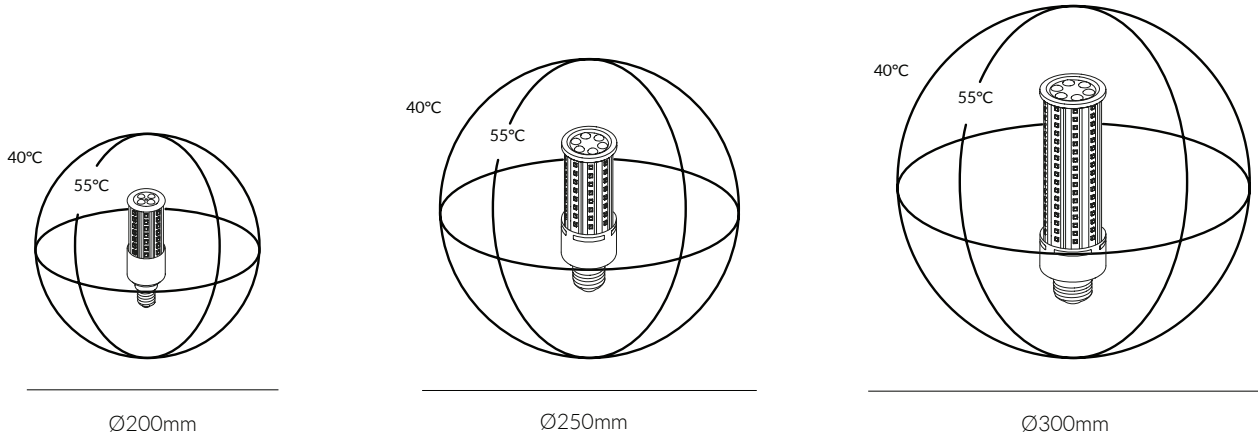
	LIGHT ENGINE I	LIGHT ENGINE II	LIGHT ENGINE III
TEMPERATURE AT TEST POINT T_p MUST NOT EXCEED:	110°C	105°C	95°C

LIGHT ENGINE

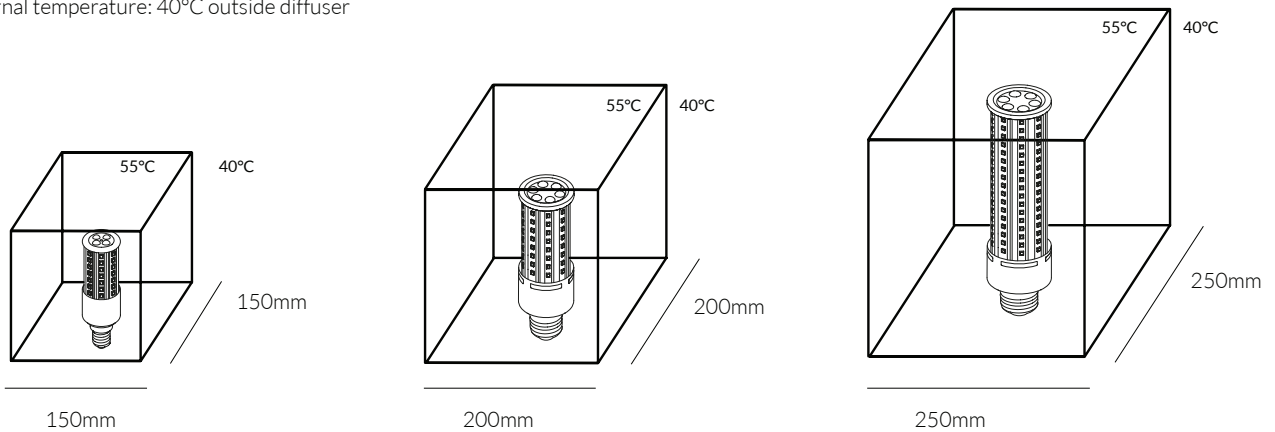
Maximum Ambient Air Temperature (T_a)

The size of the intended fixture, enclosure or luminaire and the temperature of the surrounding external ambient air all impact on the operating temperature of the Light Engine. Tala have performed testing with various shapes and sizes of enclosure to determine minimum internal volumes and maximum internal and external ambient air temperatures (T_a). When operating the Light Engine at full power within these enclosure sizes the maximum external ambient air temperature is 40°C. Failure to adhere to the guidelines will lead to premature failure and void the product warranty.

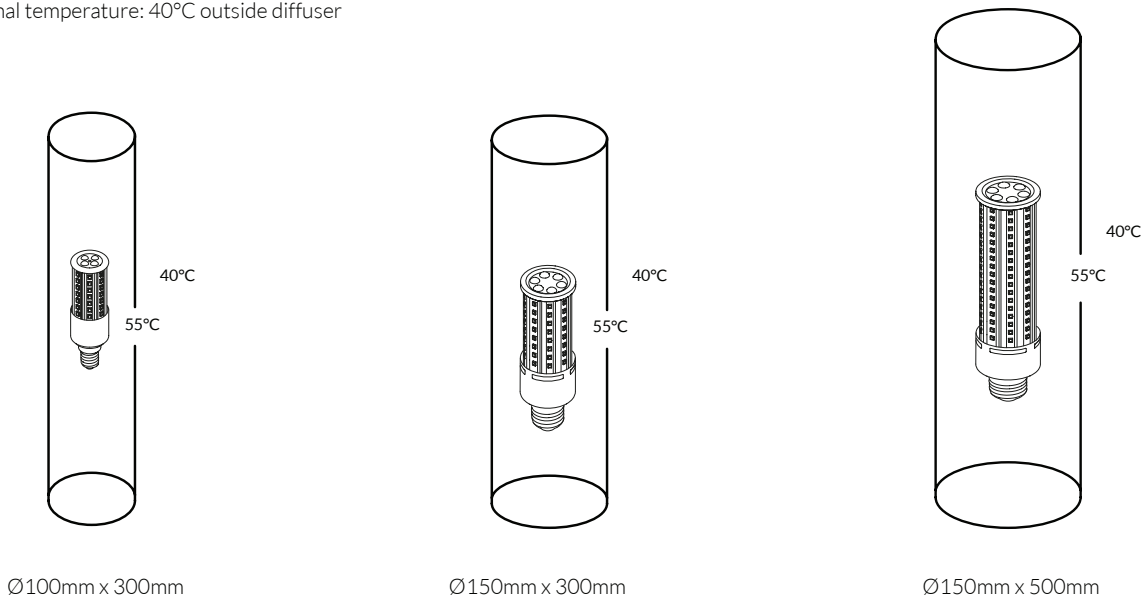
The enclosure sizes below correspond to approximate internal and external ambient air temperatures for each Light Engine when the relevant maximum temperature T_p has been reached. These are offered as a guideline and must not replace In-Situ Temperature Measuring Testing. Different material properties, air flow and Light Engine position within the enclosure will affect actual temperatures offered as a guideline and must not replace In-Situ Temperature Measurement Testing.



Approximately spherical, thin (1-5mm) glass or plastic diffusers
Max external temperature: 40°C outside diffuser



Approximately cubic, thin (1-5mm) glass or plastic diffusers
Max external temperature: 40°C outside diffuser



Approximately cylindrical, thin (1-5mm) glass or plastic diffusers
Max external temperature: 40°C outside diffuser