

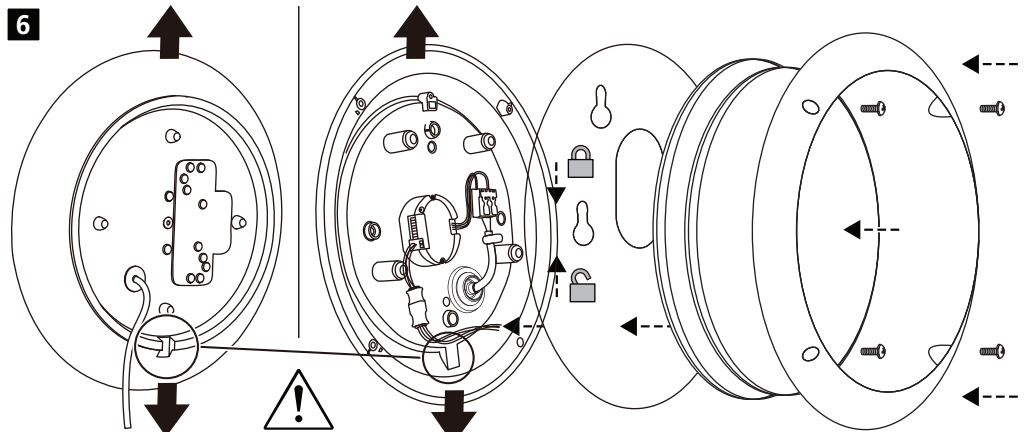
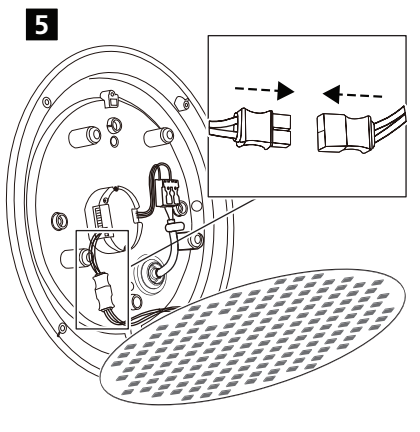
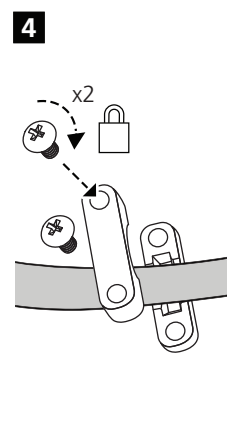
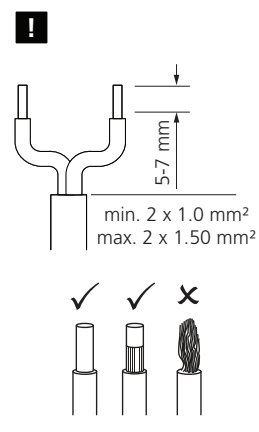
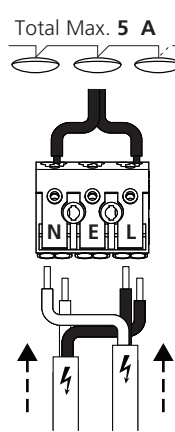
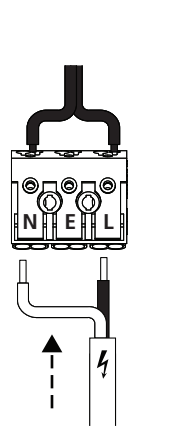
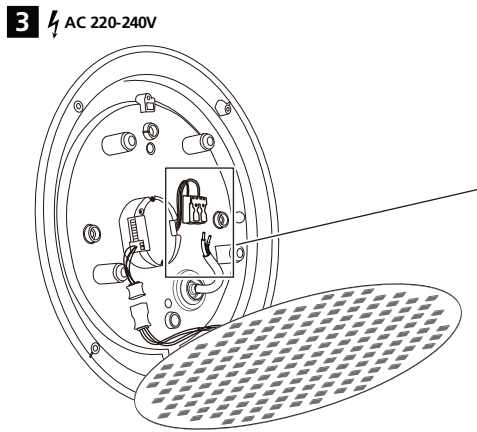
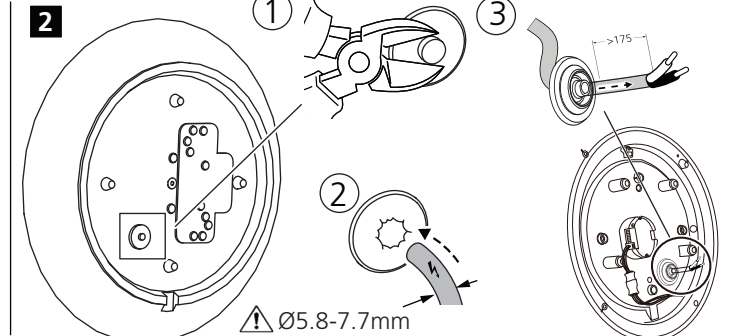
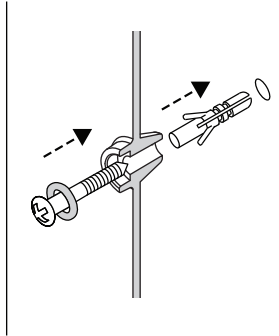
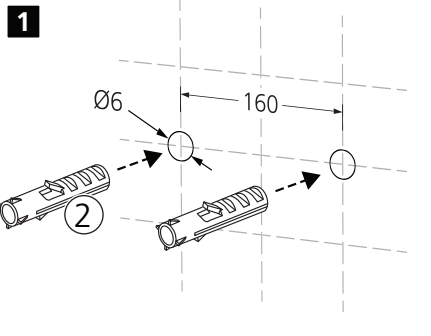
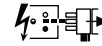
0049284 0049285
0049286 0049287

0049288 0049289
0049290 0049291

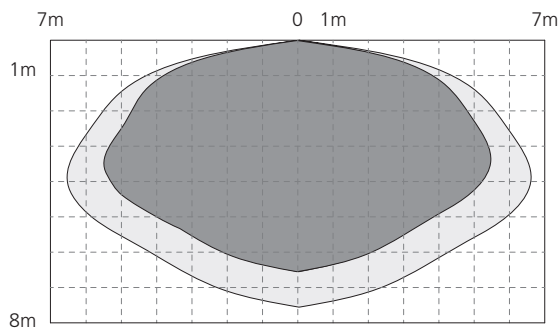
f = 5.8 GHz ± 75 MHz
P_{max} = 0.2 mW



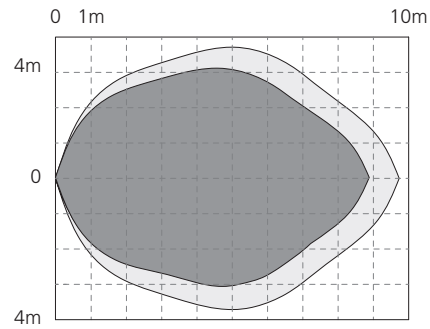
AC 220-240V 50/60Hz



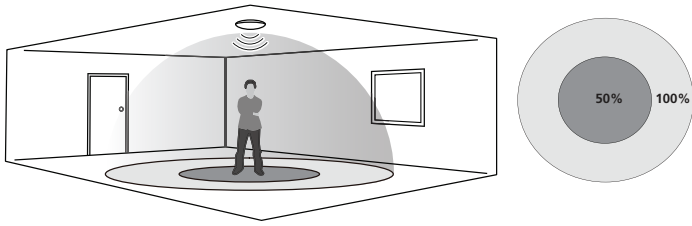
! Detection range - vertical



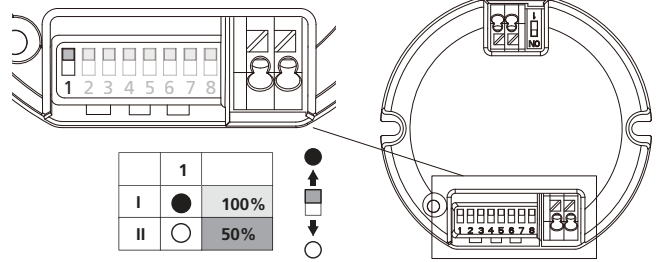
Detection range - horizontal



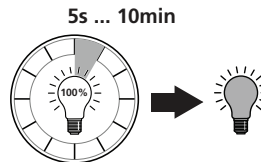
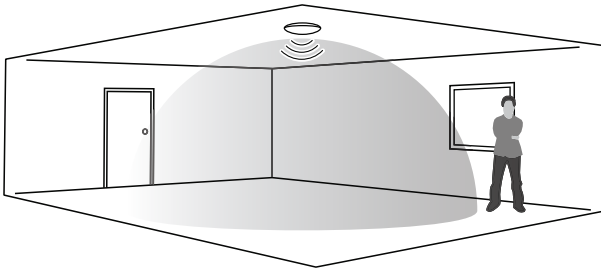
7a Sensitivity
0049288, 0049289, 0049290, 0049291



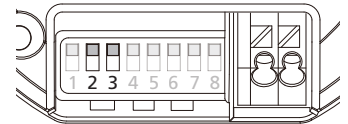
7b Sensitivity



8a Hold time
0049288, 0049289, 0049290, 0049291

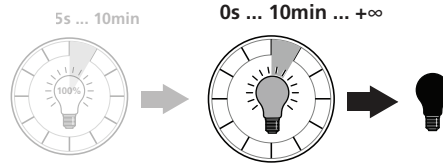
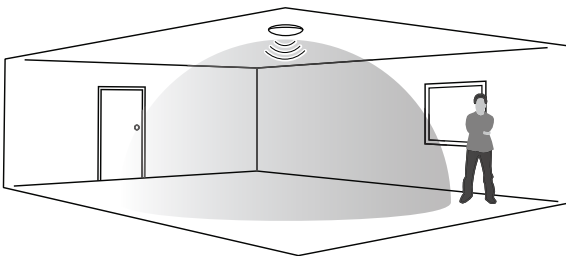


8b Hold time

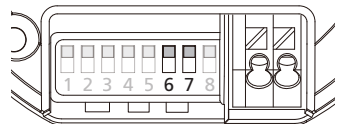


	2	3	
I	●	●	5s
II	●	○	90s
III	○	●	3min
IV	○	○	10min

9a Stand-by time
0049288, 0049289, 0049290, 0049291

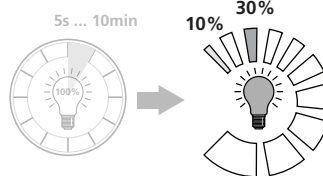
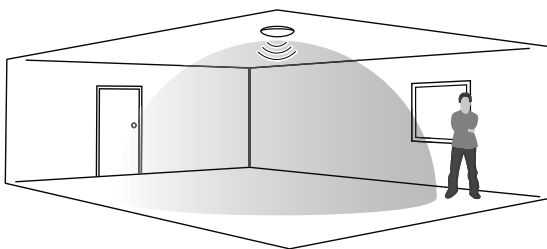


9b Stand-by time

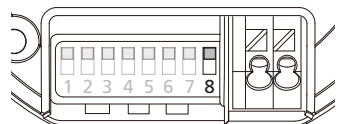


	6	7	
I	●	●	0s
II	●	○	10s
III	○	●	10min
IV	○	○	+∞

10a Stand-by dimming level
0049288, 0049289, 0049290, 0049291

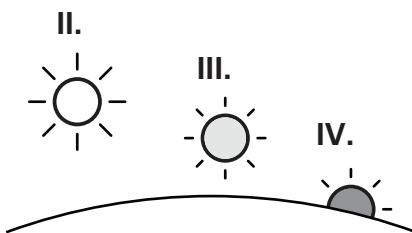


10b Stand-by dimming level

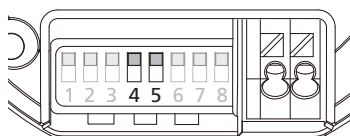


	8	
I	●	10%
II	○	30%

11a Daylight sensor
0049288, 0049289, 0049290, 0049291

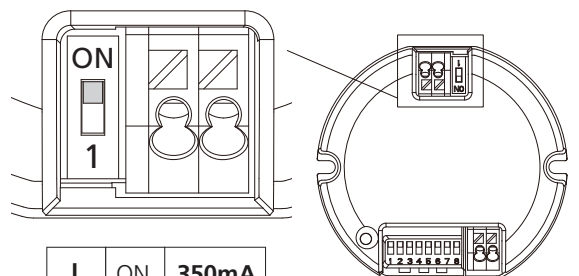


11b Daylight sensor



	4	5	
I	●	●	Disable
II	●	○	50Lux
III	○	●	10Lux
IV	○	○	2Lux

12 Output current
0049288, 0049289, 0049290, 0049291



I	ON	350mA
II	1	300mA