

Product reference light.001.001/002



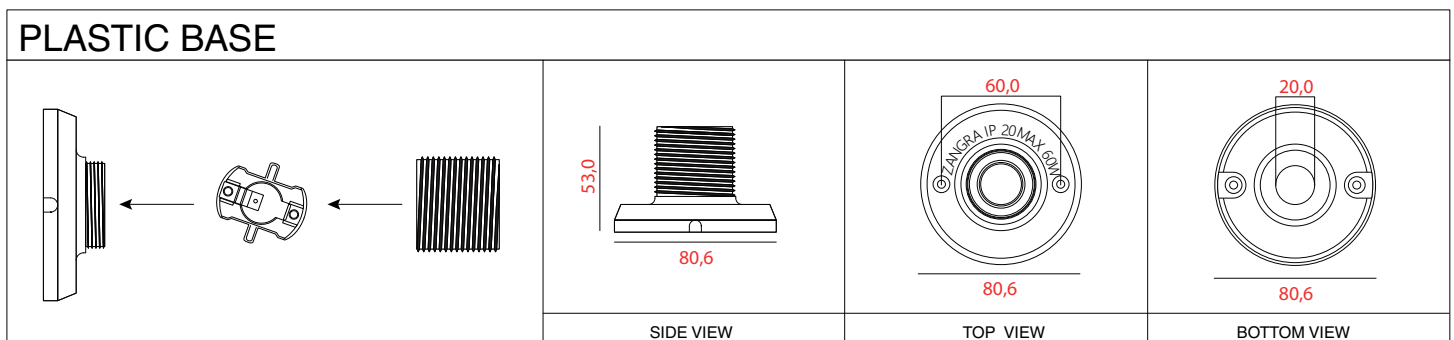
Specifications

Material	porcelain
Colour	black / white
Height	5.5cm
Diameter	Ø 10cm
Marking	CE
Lamp holder type	E27
Wattage	Max 60W
Voltage	230V
Frequency	50 Hz AC
Protection marking	IP20
Safety class	Class 2
Origin	France

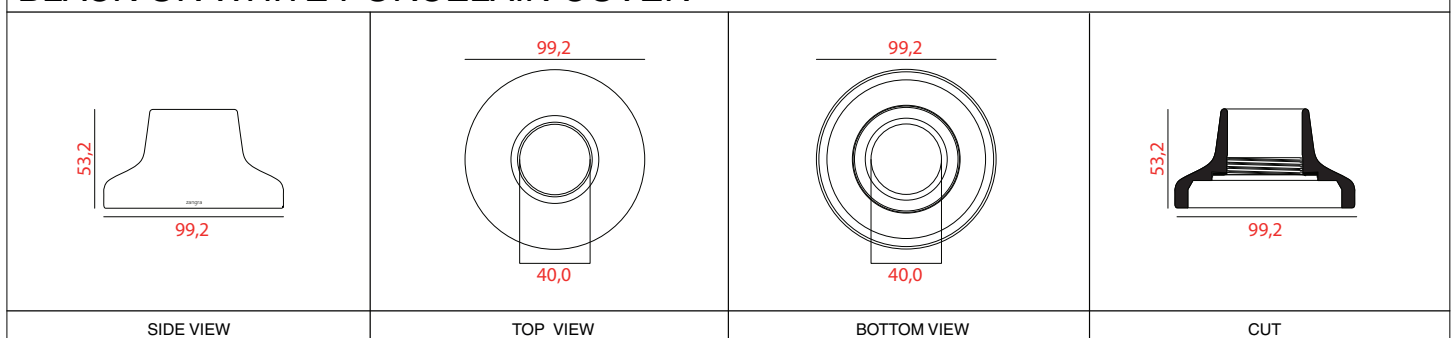
Technical information

- This lamp is not waterproof, so not suitable for outdoor use or wet area
 - Distance between the two fixation points: 6cm
- CE □ ⚡

PLASTIC BASE



BLACK OR WHITE PORCELAIN COVER



PLASTIC BASE + PORCELAIN COVER

