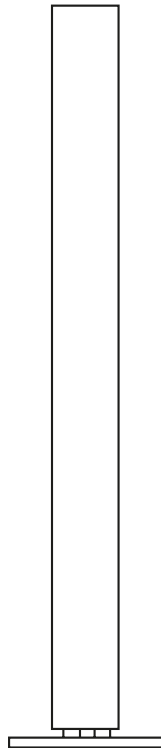


## STYLOS

Designed by Achille Castiglioni, 1984

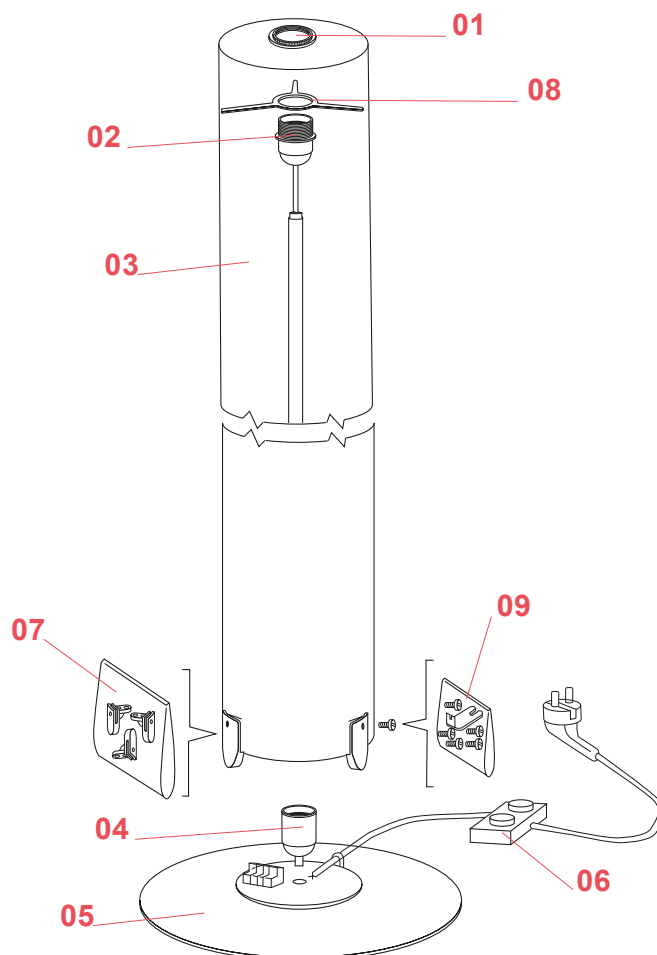
F6310004



## STYLOS

F6310004

EN



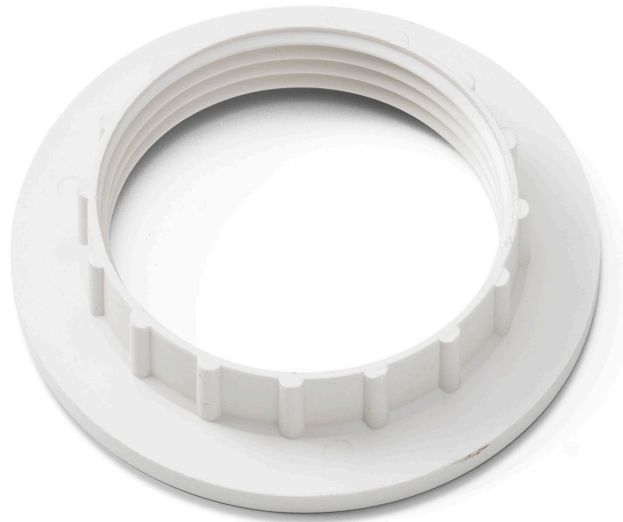
- 01. RF04424 – Ring nut
- 02. RF6320100 – Top lamp holder assembly
- 03. RF6330000 – Diffuser
- 04. RF03646 – Lower lamp holder assembly
- 05. F6320004 – Packed base
- 06. RF03631 – Black double switch
- 07. RF6330100 – Kit of n.3 diffuser bracket supports
- 08. RF05861 – Polycarbonate spacer
- 09. RF6330200 – Kit of screws and metal bracket for diffuser assembly

STYLOS F6310004

EN

## RF04424

RING NUT VB 73



WARNING! When installing and whenever acting on the appliance, ensure that the power supply has been switched off.  
For the installation of the spare-part, it is necessary to consult a qualified electrician.

STYLOS F6310004

EN

**RF04424**

RING NUT VB 73

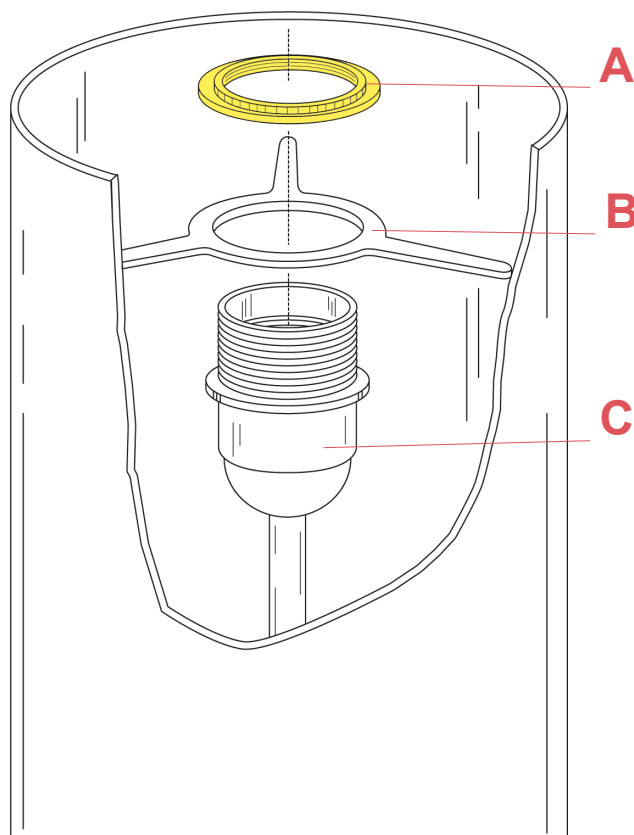


Fig.1

Collacate the spacer (B) onto the upper lamp holder (C) and fasten the ring nut (A).  
Install the bulb.

WARNING! When installing and whenever acting on the appliance, ensure that the power supply has been switched off.  
For the installation of the spare-part, it is necessary to consult a qualified electrician.

©2021 Flos - All rights reserved - [www.flos.com](http://www.flos.com)  
Flos reserves the right to introduce any changes to its own models, without prior notice.

STYLOS F6310004

EN

## RF6320100

TOP LAMP HOLDER ASSEMBLY



WARNING! When installing and whenever acting on the appliance, ensure that the power supply has been switched off.  
For the installation of the spare-part, it is necessary to consult a qualified electrician.

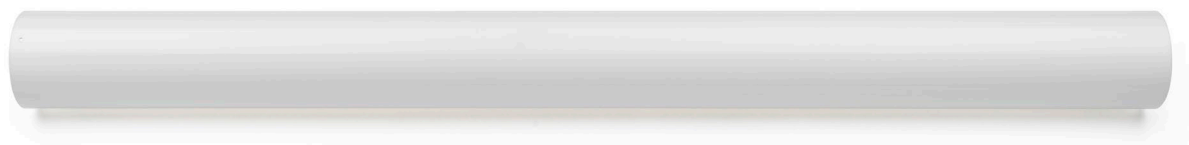
©2021 Flos - All rights reserved - [www.flos.com](http://www.flos.com)  
Flos reserves the right to introduce any changes to its own models, without prior notice.

STYLOS F6310004

EN

## RF6330000

DIFFUSER



WARNING! When installing and whenever acting on the appliance, ensure that the power supply has been switched off.  
For the installation of the spare-part, it is necessary to consult a qualified electrician.

STYLOS F6310004

EN

**RF6330000**

DIFFUSER

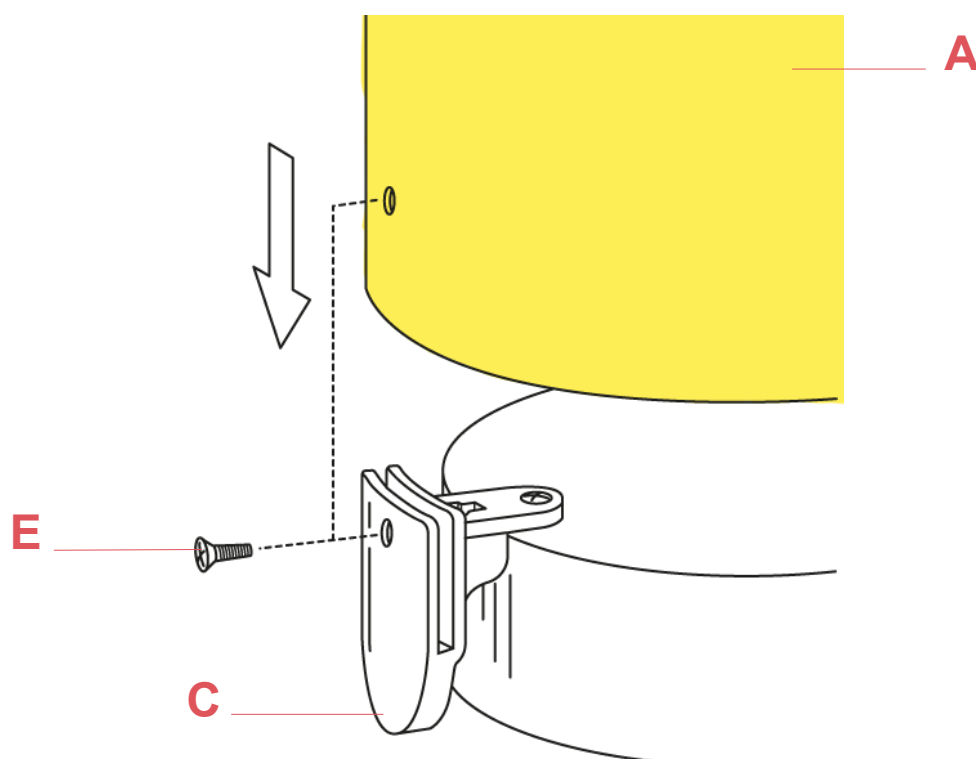


Fig.1

Slide the diffuser (A) through the metal stem.  
Insert the diffuser (A) into the metal structure (B) and through the openings in the supports (C). Utilize the tip of a screwdriver to help your self if necessary to align the holes in the diffuser to correspond with those present on the support.  
Assemble the diffuser (A) by fastening screws (E).

WARNING! When installing and whenever acting on the appliance, ensure that the power supply has been switched off.  
For the installation of the spare-part, it is necessary to consult a qualified electrician.

STYLOS F6310004

EN

## RF03646

LOWER LAMP HOLDER ASSEMBLY



WARNING! When installing and whenever acting on the appliance, ensure that the power supply has been switched off.  
For the installation of the spare-part, it is necessary to consult a qualified electrician.

©2021 Flos - All rights reserved - [www.flos.com](http://www.flos.com)  
Flos reserves the right to introduce any changes to its own models, without prior notice.

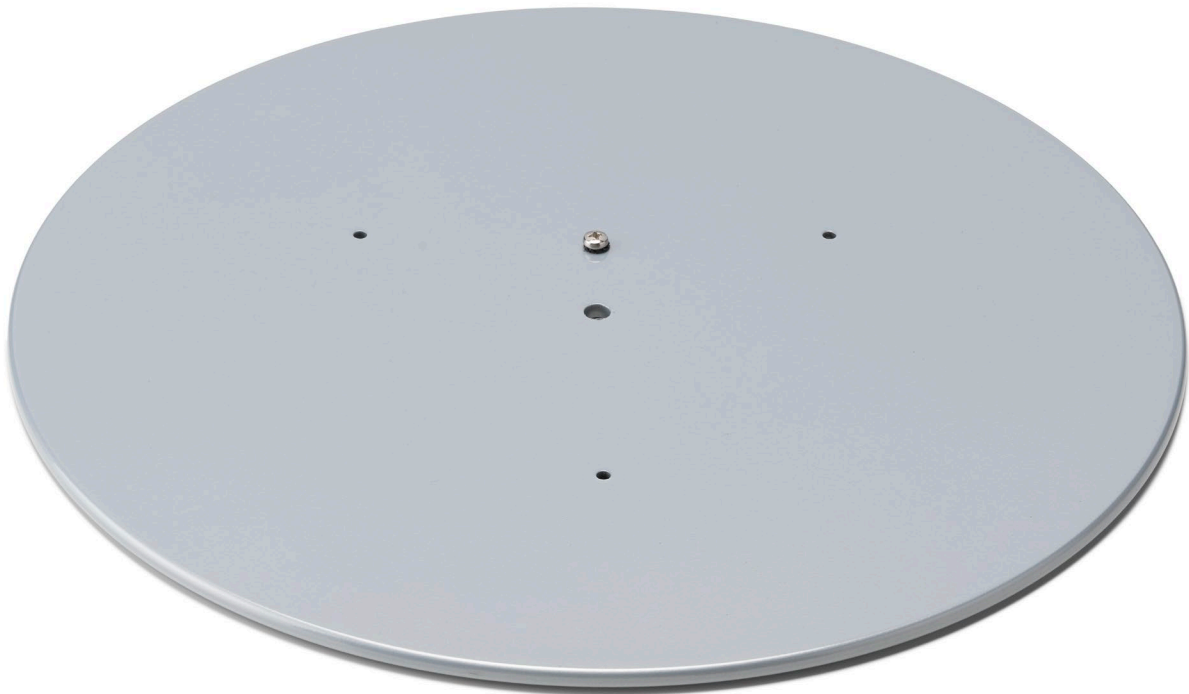


STYLOS F6310004

EN

## F6320004

BASE



WARNING! When installing and whenever acting on the appliance, ensure that the power supply has been switched off.  
For the installation of the spare-part, it is necessary to consult a qualified electrician.

©2021 Flos - All rights reserved - [www.flos.com](http://www.flos.com)  
Flos reserves the right to introduce any changes to its own models, without prior notice.

STYLOS F6310004

EN

**F6320004**

BASE

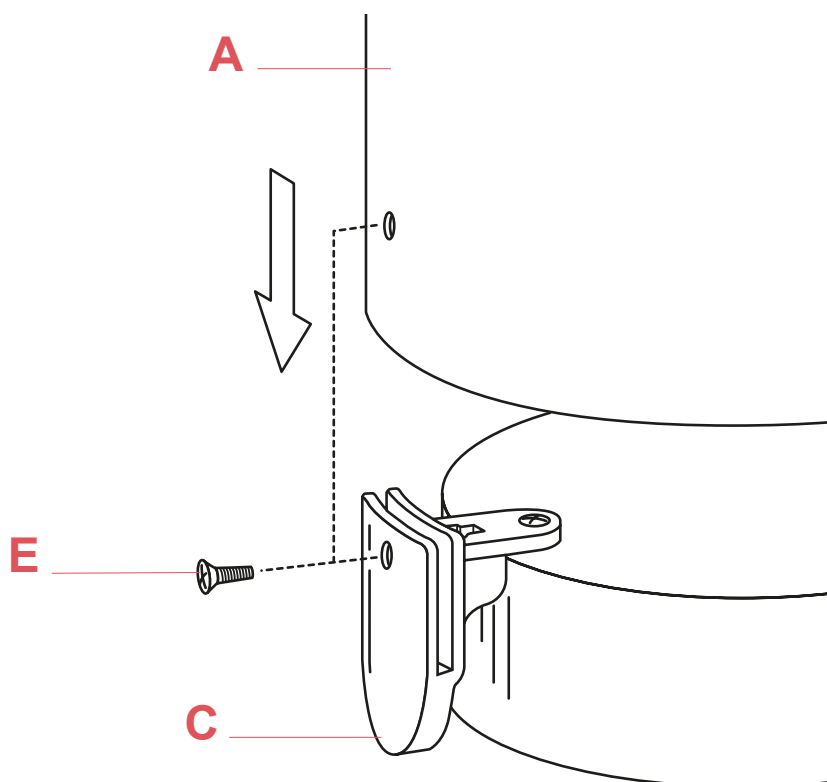


Fig.1

Unfasten the three screws (E) from the support (C) and then lift-up the diffuser (A).

WARNING! When installing and whenever acting on the appliance, ensure that the power supply has been switched off.  
For the installation of the spare-part, it is necessary to consult a qualified electrician.

©2021 Flos - All rights reserved - [www.flos.com](http://www.flos.com)  
Flos reserves the right to introduce any changes to its own models, without prior notice.

STYLOS F6310004

EN

**F6320004**

BASE

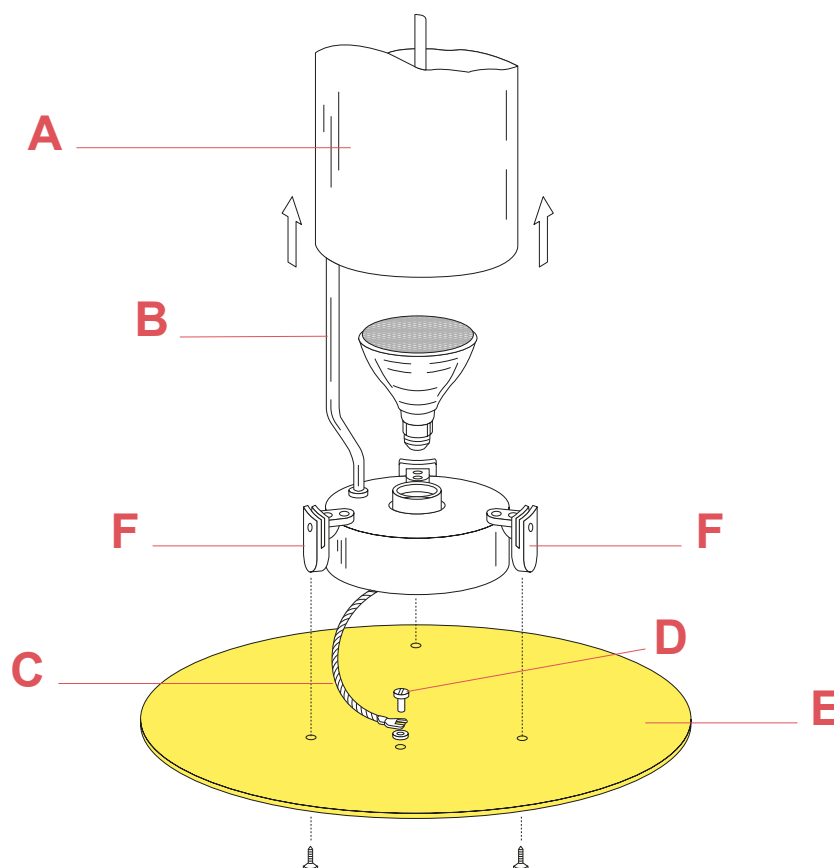


Fig.2

Remove the diffuser (A) from the metal stem (B).  
 Unfasten the "PAR" bulb from the lower lamp holder.  
 Remove the base (E) from the supports (F) by unfastening the  
 three self-threading screws.  
 Unfasten the screw (D) and disconnect the earth wire (C).

Assemble now the new spare-part:

Connect the earth cable (C) to the base (E) by fastening the screw (D), ensuring to insert the cable between the screw and the notched washer; Assemble the base (E) to the supports (F) by fastening the three self-threading screws.  
 Screw the "PAR" bulb into the lower bulb-holder.  
 Slide the diffuser (A) through the metal stem (B).

WARNING! When installing and whenever acting on the appliance, ensure that the power supply has been switched off.  
 For the installation of the spare-part, it is necessary to consult a qualified electrician.

STYLOS F6310004

EN

**F6320004**

BASE

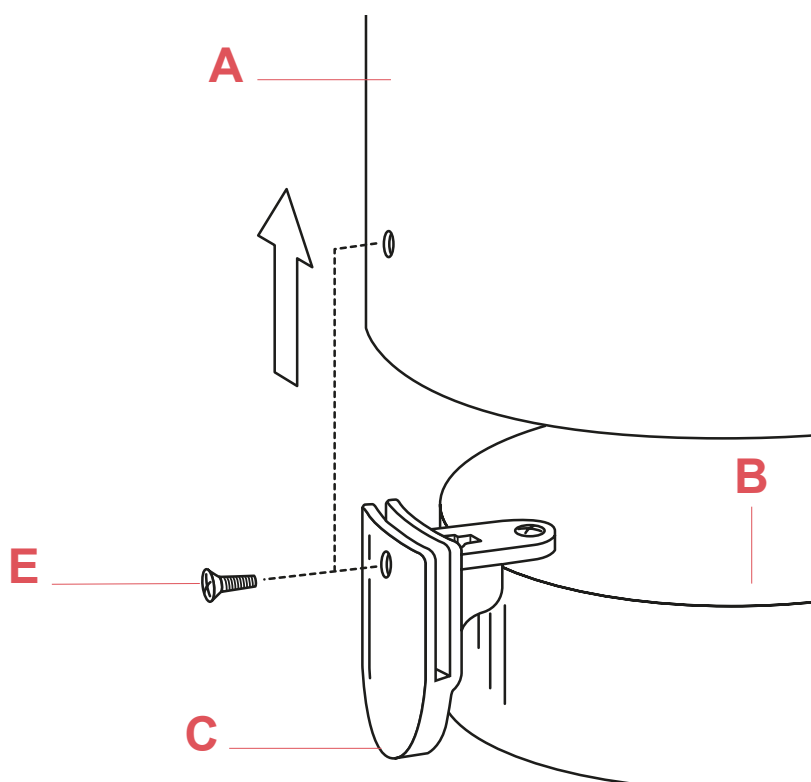


Fig.3

Insert the diffuser (A) into the metal structure (B) and through the openings in the supports (C). Utilize the tip of a screwdriver to help your self if necessary to align the holes in the diffuser to correspond with those present on the support.  
Assemble the diffuser (A) by fastening screws (E).

WARNING! When installing and whenever acting on the appliance, ensure that the power supply has been switched off.  
For the installation of the spare-part, it is necessary to consult a qualified electrician.

©2021 Flos - All rights reserved - [www.flos.com](http://www.flos.com)  
Flos reserves the right to introduce any changes to its own models, without prior notice.

STYLOS F6310004

EN

## RF03631

DOUBLE BLACK SWITCH



WARNING! When installing and whenever acting on the appliance, ensure that the power supply has been switched off.  
For the installation of the spare-part, it is necessary to consult a qualified electrician.

©2021 Flos - All rights reserved - [www.flos.com](http://www.flos.com)  
Flos reserves the right to introduce any changes to its own models, without prior notice.

STYLOS F6310004

EN

## RF6330100

KIT OF N.3 DIFFUSER BRACKET SUPPORTS



WARNING! When installing and whenever acting on the appliance, ensure that the power supply has been switched off.  
For the installation of the spare-part, it is necessary to consult a qualified electrician.

©2021 Flos - All rights reserved - [www.flos.com](http://www.flos.com)  
Flos reserves the right to introduce any changes to its own models, without prior notice.

STYLOS F6310004

EN

**RF6330100**

KIT OF N.3 DIFFUSER BRACKET SUPPORTS

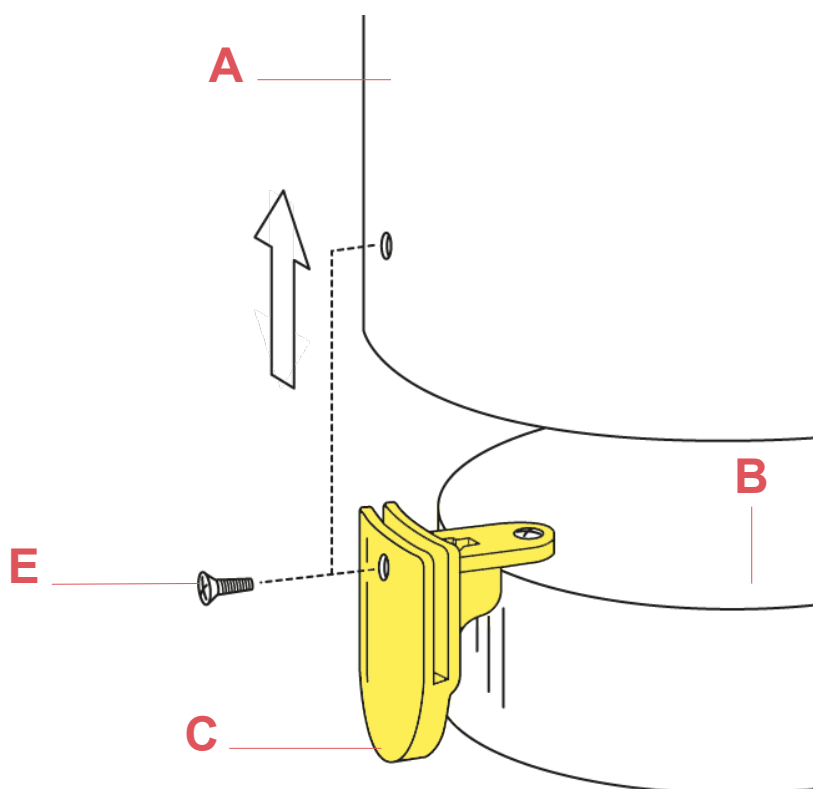


Fig.1

Unfasten the screws (E) from the support (C) and then lift-up the diffuser (A).

WARNING! When installing and whenever acting on the appliance, ensure that the power supply has been switched off.  
For the installation of the spare-part, it is necessary to consult a qualified electrician.

©2021 Flos - All rights reserved - [www.flos.com](http://www.flos.com)  
Flos reserves the right to introduce any changes to its own models, without prior notice.

STYLOS F6310004

EN

## RF6330100

KIT OF N.3 DIFFUSER BRACKET SUPPORTS

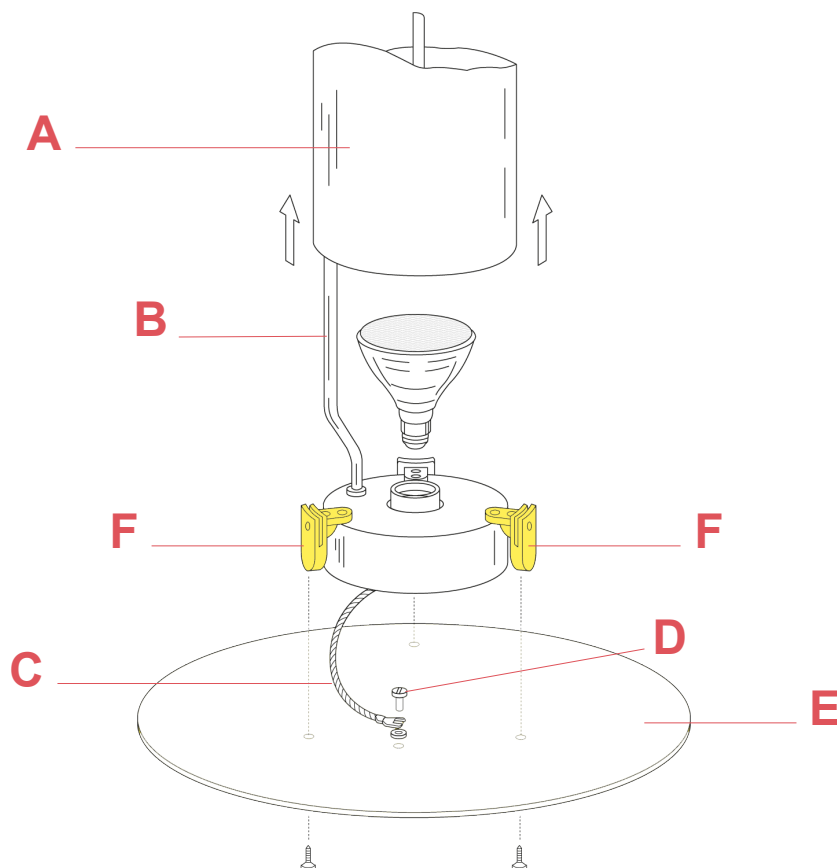


Fig.2

Remove the diffuser (A) from the metal stem (B).  
 Unfasten the "PAR" bulb from the lower lamp holder.  
 Remove the base (E) from the supports (F) by unfastening the  
 three self-threading screws.  
 Unfasten the screw (D) and disconnect the earth wire (C).

Assemble now the new spare-part:

Connect the earth cable (C) to the base (E) by fastening the screw (D), ensuring to insert the cable between the screw  
 and the notched washer; Assemble the base (E) to the supports (F) by fastening the three self-threading screws.  
 Screw the "PAR" bulb into the lower bulb-holder.  
 Slide the diffuser (A) through the metal stem (B).

WARNING! When installing and whenever acting on the appliance, ensure that the power supply has been switched off.  
 For the installation of the spare-part, it is necessary to consult a qualified electrician.



STYLOS F6310004

EN

**RF6330100**

KIT OF N.3 DIFFUSER BRACKET SUPPORTS



Fig.3

Remove the support (F) by unfastening the screw (G).  
**Remarks!!!** Utilize the metal brackets (H) for the new spare-part.  
Install the support (F) with the metal bracket.

WARNING! When installing and whenever acting on the appliance, ensure that the power supply has been switched off.  
For the installation of the spare-part, it is necessary to consult a qualified electrician.

©2021 Flos - All rights reserved - [www.flos.com](http://www.flos.com)  
Flos reserves the right to introduce any changes to its own models, without prior notice.

**RF6330100**

KIT OF N.3 DIFFUSER BRACKET SUPPORTS

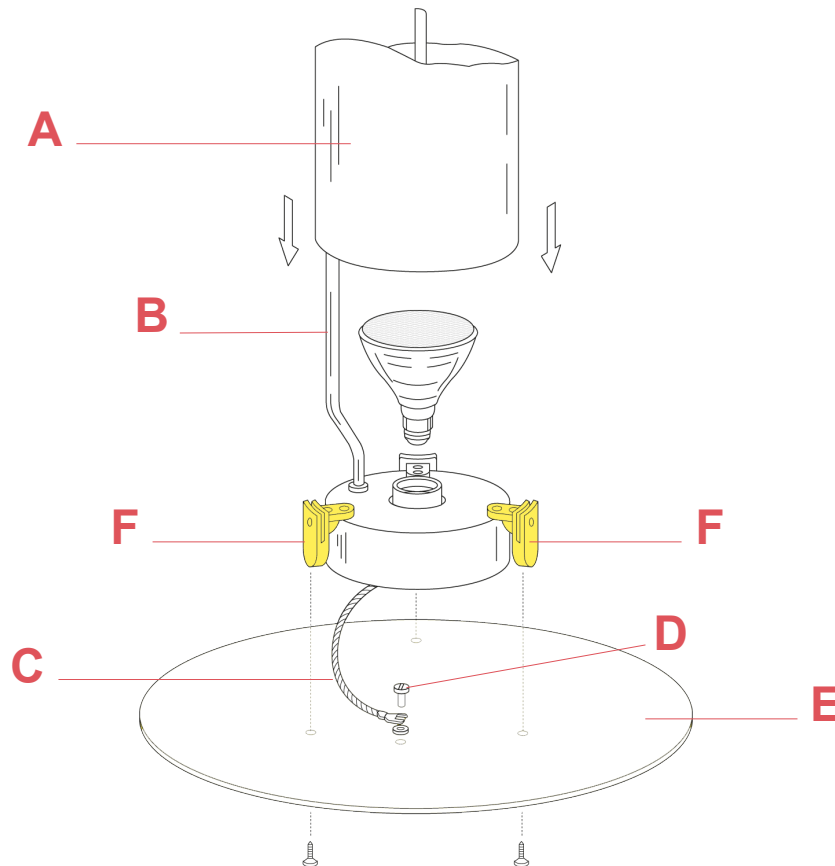


Fig.4

Connect the earth cable (C) to the base by fastening the screw (D), ensuring to insert the cable between the screw and the notched washer; Assemble the base (E) to the supports (F) by fastening the three self-threading screws.

Screw the “PAR” bulb into the lower bulb-holder.

Slide the diffuser (A) through the metal stem (B).

Insert the diffuser (A) into the metal structure (B) and through the openings in the supports (C). Utilize the tip of a screwdriver to help yourself if necessary to align the holes in the diffuser to correspond with those present on the support.

Assemble the diffuser (A) by fastening screws (E).(Fig.1 page 15)

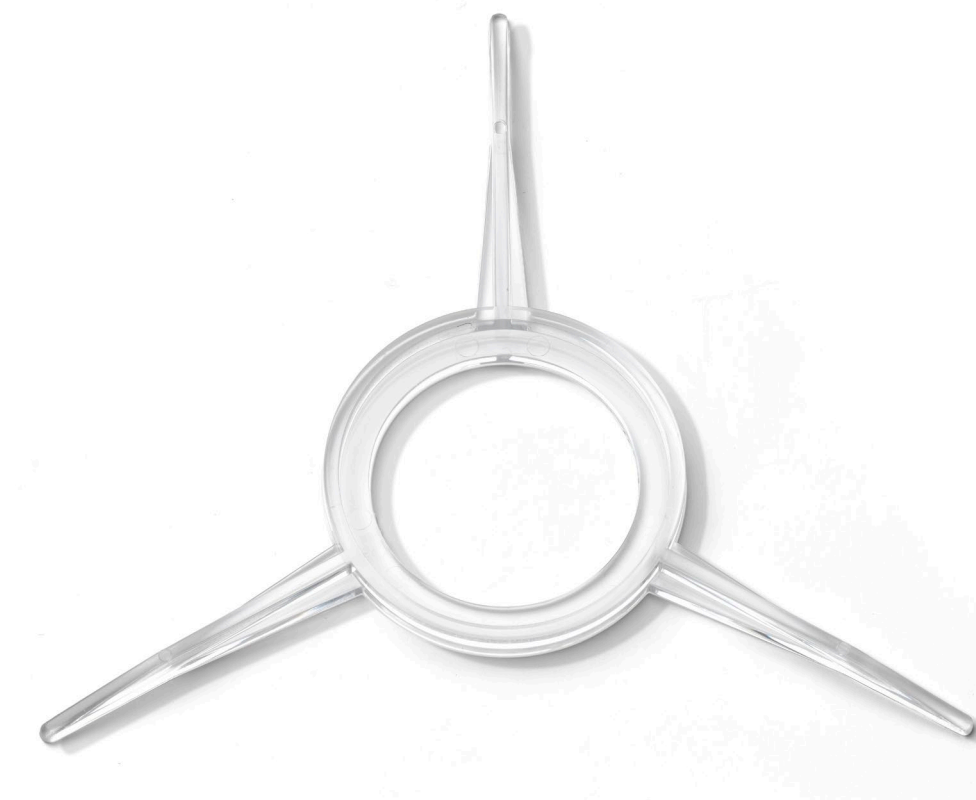
WARNING! When installing and whenever acting on the appliance, ensure that the power supply has been switched off.  
For the installation of the spare-part, it is necessary to consult a qualified electrician.

STYLOS F6310004

EN

## RF05861

POLYCARBONATE SPACER



WARNING! When installing and whenever acting on the appliance, ensure that the power supply has been switched off.  
For the installation of the spare-part, it is necessary to consult a qualified electrician.

©2021 Flos - All rights reserved - [www.flos.com](http://www.flos.com)  
Flos reserves the right to introduce any changes to its own models, without prior notice.

STYLOS F6310004

EN

**RF05861**

POLYCARBONATE SPACER

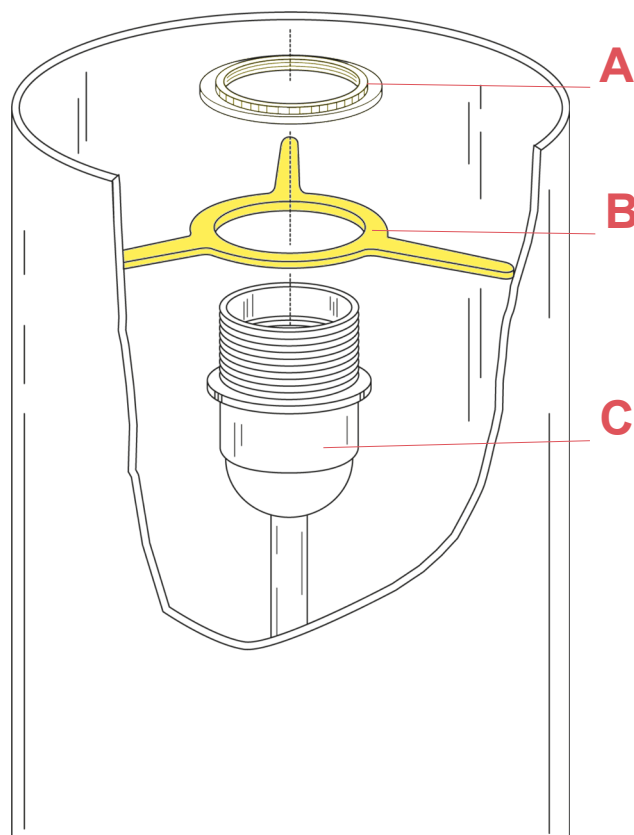


Fig.1

Remove the lamp bulb from the lamp holder.  
Unfasten the ring nut (A) and remove the damaged spacer (B) from the upper lamp holder (C).

Assemble now the new spare-part:

Collocate the spacer (B) onto the upper lamp holder (C) and fasten the ring nut (A).  
Install the bulb.

WARNING! When installing and whenever acting on the appliance, ensure that the power supply has been switched off.  
For the installation of the spare-part, it is necessary to consult a qualified electrician.

STYLOS F6310004

EN

**RF6330200**

KIT OF SCREWS AND METAL BRACKET FOR DIFFUSER ASSEMBLY



WARNING! When installing and whenever acting on the appliance, ensure that the power supply has been switched off.  
For the installation of the spare-part, it is necessary to consult a qualified electrician.

STYLOS F6310004

EN

**RF6330200**

KIT OF SCREWS AND METAL BRACKET FOR DIFFUSER ASSEMBLY

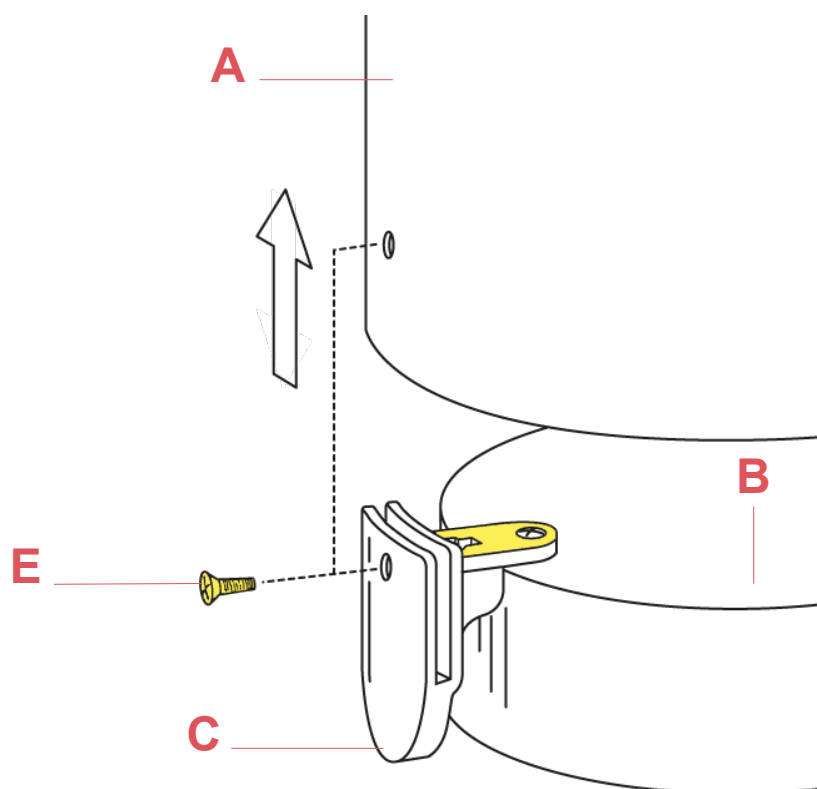


Fig.1

Unfasten the three screws (E) from the support (C) and then lift-up the diffuser (A).

WARNING! When installing and whenever acting on the appliance, ensure that the power supply has been switched off.  
For the installation of the spare-part, it is necessary to consult a qualified electrician.

STYLOS F6310004

EN

**RF6330200**

KIT OF SCREWS AND METAL BRACKET FOR DIFFUSER ASSEMBLY

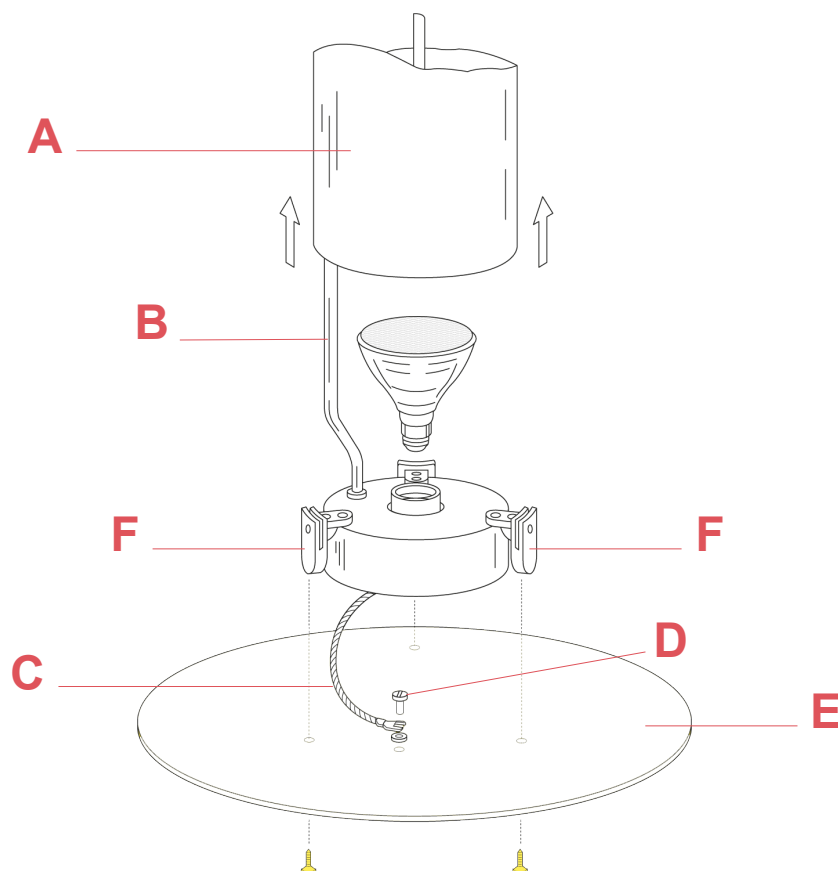


Fig.2

Remove the diffuser (A) from the metal stem (B).  
Unfasten the "PAR" bulb from the lower lamp holder.  
Remove the base (E) from the supports (F) by unfastening the three self-threading screws.  
Unfasten the screw (D) and disconnect the earth wire (C).

WARNING! When installing and whenever acting on the appliance, ensure that the power supply has been switched off.  
For the installation of the spare-part, it is necessary to consult a qualified electrician.

STYLOS F6310004

EN

**RF6330200**

KIT OF SCREWS AND METAL BRACKET FOR DIFFUSER ASSEMBLY



Fig.3

Remove the support (F) by unfastening the screw (G).  
**Remarks!!!** Replace the metal brackets (H).  
Install the support (F) with the metal bracket.

WARNING! When installing and whenever acting on the appliance, ensure that the power supply has been switched off.  
For the installation of the spare-part, it is necessary to consult a qualified electrician.



STYLOS F6310004

EN

**RF6330200**

KIT OF SCREWS AND METAL BRACKET FOR DIFFUSER ASSEMBLY

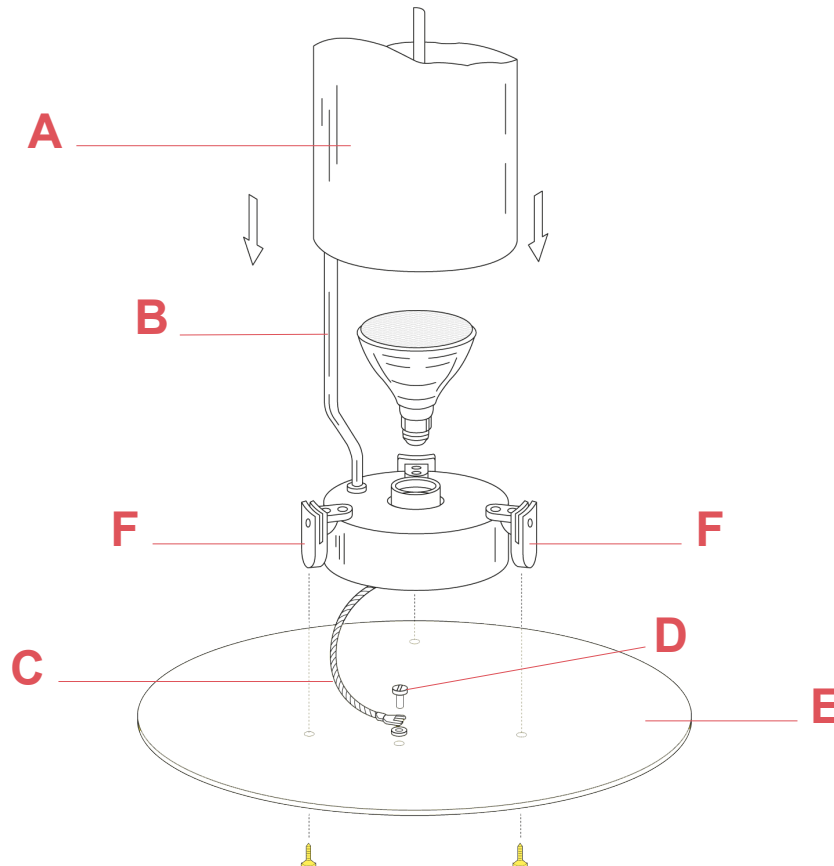


Fig.4

Connect the earth cable (C) to the base by fastening the screw (D), ensuring to insert the cable between the screw and the notched washer; Assemble the base (E) to the supports (F) by fastening the three self-threading screws supplied in the spare-part kit.

Screw the "PAR" bulb into the lower bulb-holder.

Slide the diffuser (A) through the metal stem (B).

Insert the diffuser (A) into the metal structure (B) and through the openings in the supports (C). Utilize the tip of a screwdriver to help yourself if necessary to align the holes in the diffuser to correspond with those present on the support.

Assemble the diffuser (A) by fastening screws (E) supplied in the spare-part kit.(Fig.1 page 22)

**WARNING!** When installing and whenever acting on the appliance, ensure that the power supply has been switched off.  
For the installation of the spare-part, it is necessary to consult a qualified electrician.